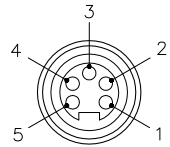
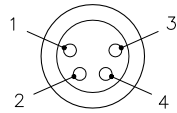


CONNECTOR (P1)



- 1 = GROUND_L
- 2 = GROUND_B
- 3 = PE
- 4 = 24 VDC (U_B)
- 5 = 24 VC (U_L)

CONNECTORS (J1-J8)

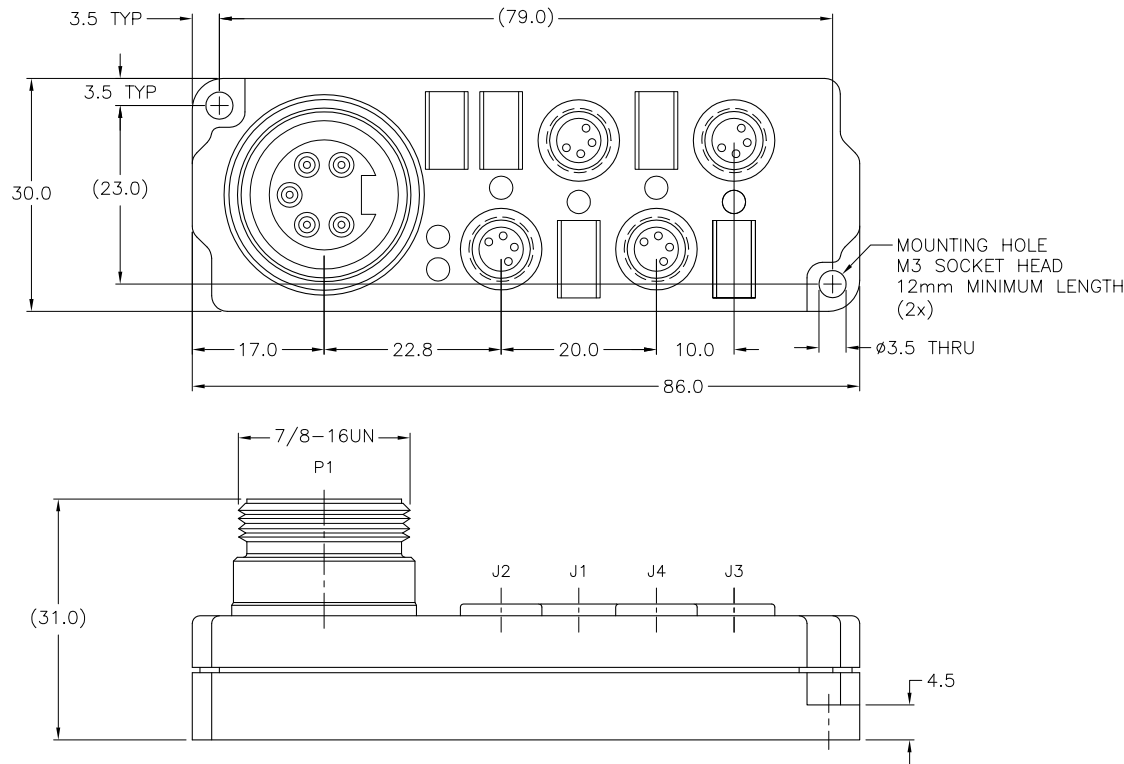


- 1 = 24 VDC (U_B)
- 2 = 24 VDC (U_L)
- 3 = GROUND_B
- 4 = GROUND_L



SPECIFICATIONS

RECEPTACLE MATERIAL/FINISH	BRASS/NICKEL
CONTACTS	BRASS/GOLD
OPERATING VOLTAGE	24 V
OPERATING CURRENT	4.0 A PER PORT, 9.0 A TOTAL
PROTECTION CLASS to DIN 40050	IP 67 - ONLY WHEN ALL RECEPTACLES ARE COVERED WITH PLUGS OR CONNECTED
OPERATING TEMPERATURE	-40°C to +70°C (-40°F to +158°F)



SOURCE DRAWING - FOR REFERENCE ONLY

RELATED DOCUMENTS		3RD ANGLE PROJECTION		THIS DRAWING IS PROPERTY OF TURCK INC. USE OF THIS DOCUMENT WITHOUT WRITTEN PERMISSION IS PROHIBITED.		TURCK INC High Technology Sensors and Automation Controls 3000 CAMPUS DRIVE MINNEAPOLIS, MN 55441 1-800-544-7769 (763) 553-7300 (763) 553-0708 fax turck.com	
1.			ALL DIMENSIONS DISPLAYED ON THIS DRAWING ARE FOR REFERENCE ONLY	DRFT	RDS	DATE	12/04/06
2.				DSGN	BG	SCALE	1=1.0
3.		UNIT OF MEASUREMENT				DESCRIPTION	
4.		MILLIMETERS				4MBM8-4P2-7/8-M	
MATERIAL		SEE SPECIFICATIONS		IDENTIFICATION NO.		REV	
FINISH		SEE SPECIFICATIONS		M8017217		A	
CONTACT TURCK FOR MORE INFORMATION		DO NOT SCALE THIS DRAWING		FILE: M8017217		SHEET 1 OF 1	

A	DRAWING RELEASE	RDS	12/05/06	
REV	DESCRIPTION	BY	DATE	ECO NO.