



PATLITE®

New Frontiers in Safety, Security and Comfort.

EHS/EHV

Smart Alert Series



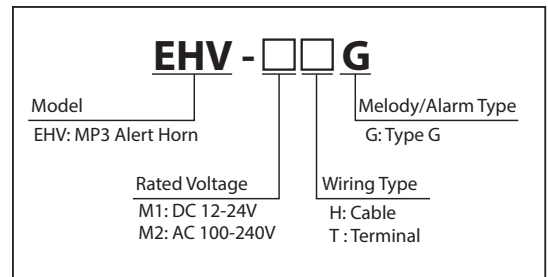
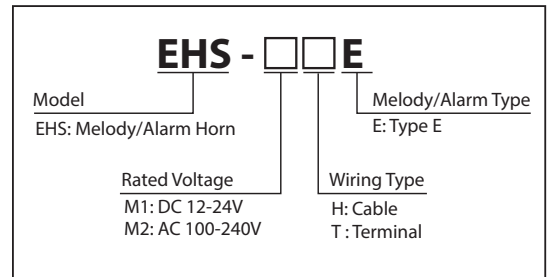
You Say It,
We Play It.



Exceptional Sound Quality Field Programmable MP3 Melody/Alarm Horn

- EHS comes with 32 preloaded melody and alarm sounds with adjustable volume up to 110dB (@ 1m).
- EHV comes with 63 preloaded crisp and clear melody and alarm sounds with adjustable volume up to 110dB (@ 1m).
- EHV offers a field-programmable MP3 function with a maximum of 220 sec. of recording time (@ 64bps) and an adjustable volume up to 105dB (@ 1m).
- Ideal for plant-wide notification, public address and process control.
- Robust, indoor and outdoor use with vibration resistance up to 4.5G.
- Protection Rating of IP65.
- UL464, CSA-C22.2 NO.205-M1983, FCC Part 15 Subpart B Class 4.
- CE, RoHS Compliant (EHS-M1 and EHV-M1 Only).

How to Order



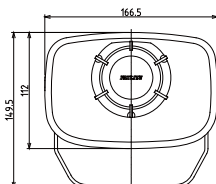
EHS vs EHV (Functionality Comparisons)

Model	Onboard Sounds	MP3 Playback	Playback Modes	No. of Playback Channels
EHS	32 Sounds	No	1 Mode	8 ch Bit Input/ 32 ch Binary Input
EHV	63 Sounds	Yes*	4 Modes	8 ch Bit Input/ 63 ch Binary Input

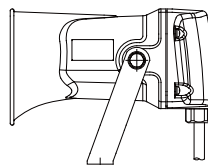
* Internal Memory size of 2 Mbytes, maximum playback of 220 seconds at a 64kbit/sec rate

Dimensions

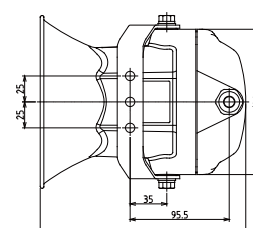
• Front View



• Side View



• Underside View



Specifications

EHS

Model	Rated Voltage	Voltage Range	Power Consumption	Rated Current Consumption	Sound Pressure	Operating Temperature Range	No. of Playback Messages	Protection Rating	Wiring Type	Mass
EHS- M1H	DC 12 - 24V	DC 10.8V to 26.4V	4W (at DC24V)	450mA (max.)	Alarm: Max. 110dB (at 1m)	-20°C to +50°C (Less than 85% RH)	Bit Input: 8 Binary Input: 32	IP65	Cable	0.9kg
EHS- M1T									Terminal	
EHS- M2H	AC 100 - 240V	AC 90V to 264V	6W (at AC100V)	140mA (max.)					Cable	1.0kg
EHS- M2T									Terminal	

EHV

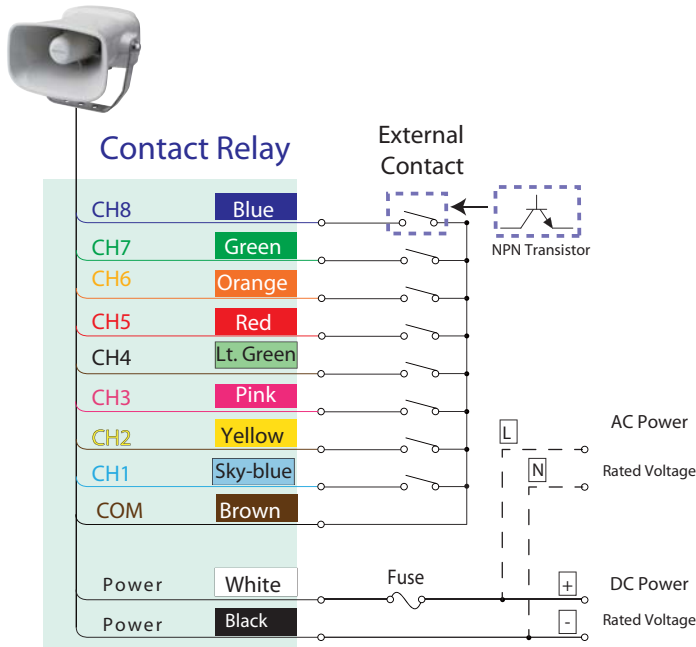
Model	Rated Voltage	Voltage Range	Power Consumption	Rated Current Consumption	Sound Pressure	Operating Temperature Range	No. of Playback Messages	Protection Rating	Wiring Type	Mass
EHV- M1H	DC 12 - 24V	DC 10.8V to 26.4V	4W (at DC24V)	480mA (max.)	Alarm: Max. 110dB (at 1m) MP3: Max. 105dB (at 1m)	-20°C to +50°C (Less than 85% RH)	Bit Input: 8 Binary Input: 63	IP65	Cable	0.9kg
EHV- M1T									Terminal	
EHV- M2H	AC 100 - 240V	AC 90V to 264V	6W (at AC100V)	150mA (max.)					Cable	1.0kg
EHV- M2T									Terminal	

(Note) The sound pressure level is based on measurements under controlled conditions (voice-synthesized 1 kHz sine wave played back from a distance of 1 meter), therefore the surrounding environmental conditions and message content will result in different values for the sound pressure level.

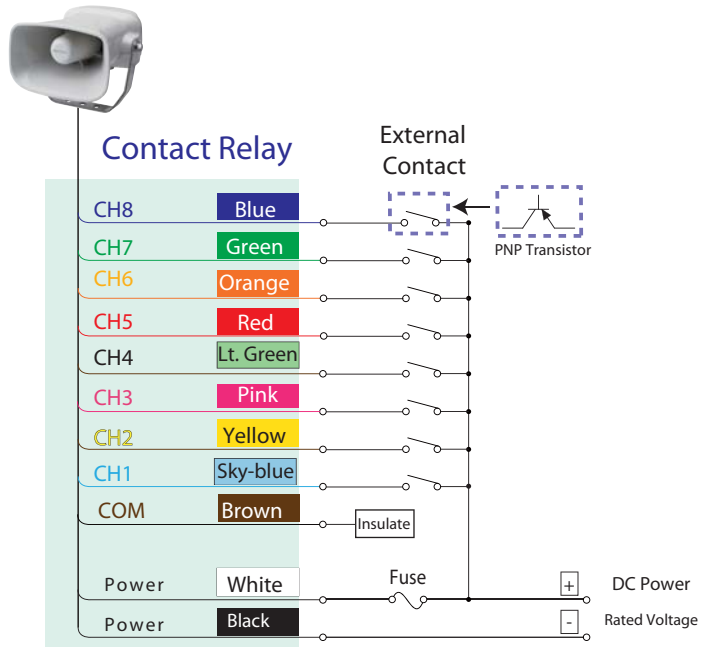
※) Even when starting two or more units simultaneously, a lag will occur during message playback.

Wiring

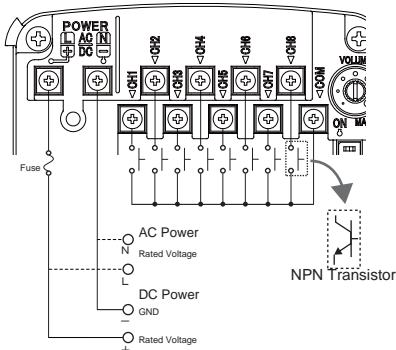
• Non-voltage (NPN) Wiring



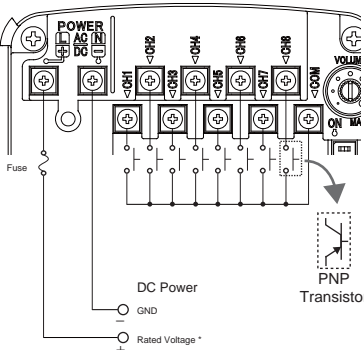
• PNP Wiring



• Terminal (NPN)



• Terminal (PNP)



Transistor Capacity (NPN & PNP)	
Current Capacity	$I_C \geq 15\text{mA}$
Current Leakage	$I_L \leq 0.1\text{mA}$
Withstand Voltage	$V_C \geq 35\text{V}$
ON Voltage (V_{sat})	Less than 1V

Recommended Fuse	
Rated Voltage	250V
Rated Current	1A
Fuse Type	Time Lag

Inrush Current	
EH-M1	9A
EH-M2	10A

Melody Charts

• Model EHV

Type-G				
Beep (slow intermittent)	Galloping Hi-Lo	ET Doorbell	Mozart Symphony No. 40	Polka Trablanka
Stutter (rapid intermittent)	Alien Chatter	RR-crossing	Ave Maria	O Vreneli
Bell (clear high-pitch)	Falling Crystals	Starting Notice Chime1	Grandfather's Clock	KAERUNO GASSHOU
Yelp (rapid siren)	Inverted Reveille	Starting Notice Chime2	The Parade of the Tin Soldiers	El Condor Pasa (If I Could)
Rapid Hi-Lo	Galactic Motor	Ending Notice Chime1	If You're Happy and You Know It	Hungarian Dance No.5
Melody Chime	Ringling Phone	Ending Notice Chime2	Flea Waltz	William Tell Overture
Synthesized Piano	Two Tone	Fur Elise	Turkey in the Straw	Pomp and Circumstance
Synthesized Bell	Alarm Clock	Bach Minuet in Gmaj	The Battle Hymn of the Republic	Comedians' Galop
Stutter + Bell	Ringling Hi-Lo	Annie Laurie	J'ai perdu le do de ma clarinette	Nedelka
Melody Chime	Galactic Hovercraft	London Bridge is falling down	Can-can	Moonlight Serenade
Chime	Spring Melody	Mary had a little Lamb	Radetzky March	WAREWA UMINO KO
Call Sign	Game Intermission	The Camptown Races	Funiculi, Funicula	
Train Ride	Jalopy Horn	Amaryllis	Csikos Post	

• Model EHS

Type-E			
Beep (slow intermittent)	Stutter + Bell	Inverted Reveille	Annie Laurie
Stutter (rapid intermittent)	Melody Chime	Galactic Motor	London Bridge is falling down
Bell (clear high-pitch)	Chime	Ringling Phone	Mary had a little Lamb
Yelp (rapid siren)	Call Sign	Two Tone	Camptown Races
Rapid Hi-Lo	Train Ride	Alarm Clock	Amaryllis
Melody Chime	Galloping Hi-Lo	Ringling Hi-Lo	Mozart Symphony No. 40
Synthesized Piano	Alien Chatter	Fur Elise	Ave Maria
Synthesized Bell	Falling Crystals	Minuet	Grandfather's Clock

Use of Copyrighted Material

PATLITE Corporation has not applied for permission to use certain copyrighted music or songs recorded for Type-A, Type-C, Type-D and Type-F melody charts outside of Japan. Therefore, please contact the local copyright association for permission before using the product in case this product is used outside of Japan. melody charts Type-E and Type-G are recommended for use outside of Japan as this playlist does not include copyrighted music or songs, and permission is not required.

• 4 Playback Modes

Normal Playback

Designated audio message is played back by distinctive signal input. Audio message is played back once in case of one shot input, and audio message is repeated when the signal is input continuously.

Latest Input Priority Playback

When the signal is input during the message playback, the audio message being played back will be stopped, and the previous audio message input will be played back.

Memory Playback

Up to 23 audio message inputs can be memorized in order of input. After one playback is finished, the next memorized audio message will be played back. The inputs exceeding the limit will not be memorized.

Momentary Playback

Audio message is played back only while the signal input is maintained. Playback will be stopped when the signal input is stopped.

Get the Playlist Editor 2 by downloading it from the PATLITE homepage (www.patlite.com). Convert any message into MP3 data and save it onto an SD Card (with the use of the Playlist Editor 2). Insert the SD Card into a PATLITE MP3 type product for easy programming.

Application Software	Usable	Outline
PATLITE Playlist Editor 2	Yes	This is a newer version of the PATLITE Playlist Editor. A playlist package can be created and the MP3 data and channel function assignment for the product can be rewritten.
FV-Win	No	This product is not compatible with the playlist created by FV-Win or the PATLITE Playlist Editor. However, the playlist can be changed into a playlist package using the PATLITE Playlist Editor 2.
PATLITE Playlist Editor	No	

Explosion-Safe Models

Explosion-Safe MP3 and Melody/Alarm Horn Series EHS-EX and EHV-EX are available for use in hazardous and explosive environments. (DC 12V -24V Only)

- Directive 94/9/EC (ATEX)
- CE Ex Group II Category 3GD, Ex nA IIC T4 Gc, Ex tc IIIC T85°C Dc IP65
- Good for Zone 2 for gas and Zone 22 for dust.



How to Order

EH□ - M1□□ - EX	
Model	Melody/Alarm Type
V: MP3 Alert Horn	E: Type E (EHS)
S: Melody/Alarm Horn	G: Type G (EHV)
Wiring Type	
H: Cable	
T: Terminal	

