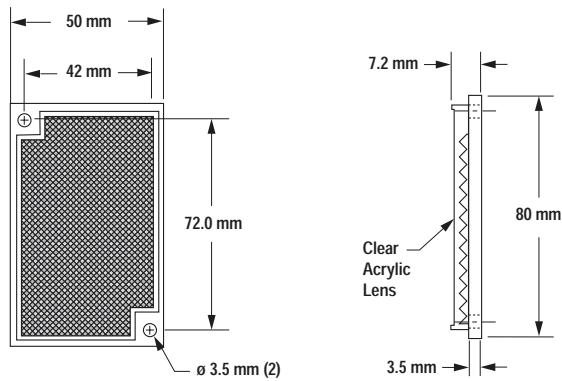
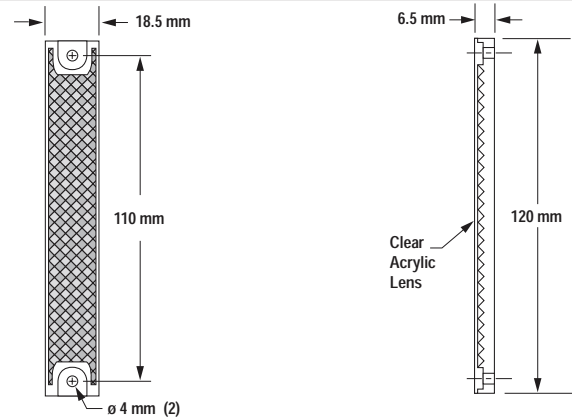


**BRT-80X50CM**

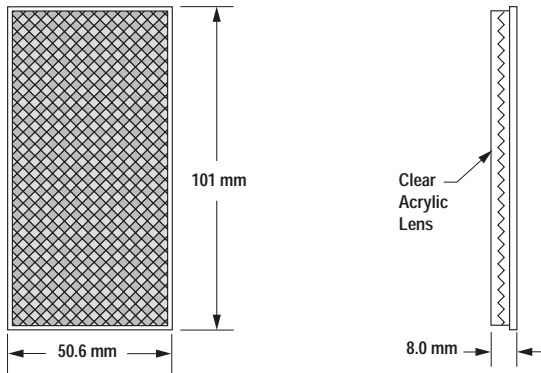
**Description:** Rectangular, acrylic target  
**Reflectivity Factor:** 1.4  
**Temperature:** -20° to +60° C  
**Other:** This target has micro-prism geometry.

**BRT-100X18A**

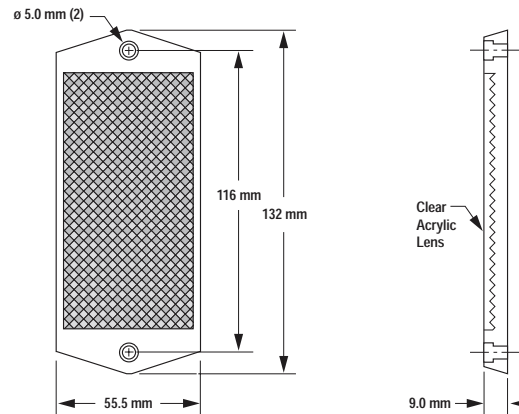
**Description:** Rectangular, acrylic target  
**Reflectivity Factor:** 1.4  
**Temperature:** -20° to +60° C

**BRT-100X50**

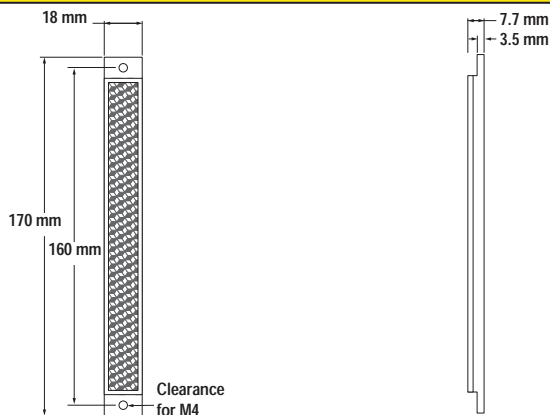
**Description:** Rectangular, acrylic target  
**Reflectivity Factor:** 1.5  
**Temperature:** -20° to +60° C

**BRT-100X55A**

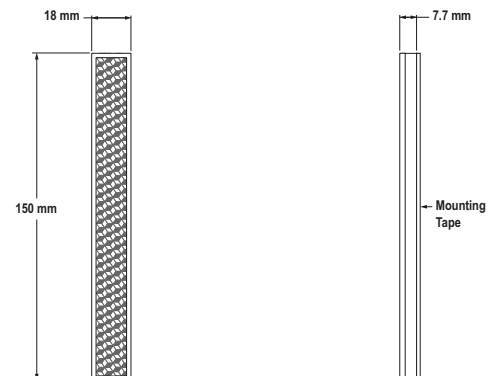
**Description:** Rectangular, acrylic target  
**Reflectivity Factor:** 1.5  
**Temperature:** -20° to +60° C

**BRT-150X18A**

**Description:** Rectangular, acrylic target  
**Reflectivity Factor:** 1.4  
**Temperature:** -20° to +60° C

**BRT-150X18T**

**Description:** Rectangular, acrylic target includes mounting tape.  
**Reflectivity Factor:** 1.4  
**Temperature:** -20° to 60° C



More  
on next  
page