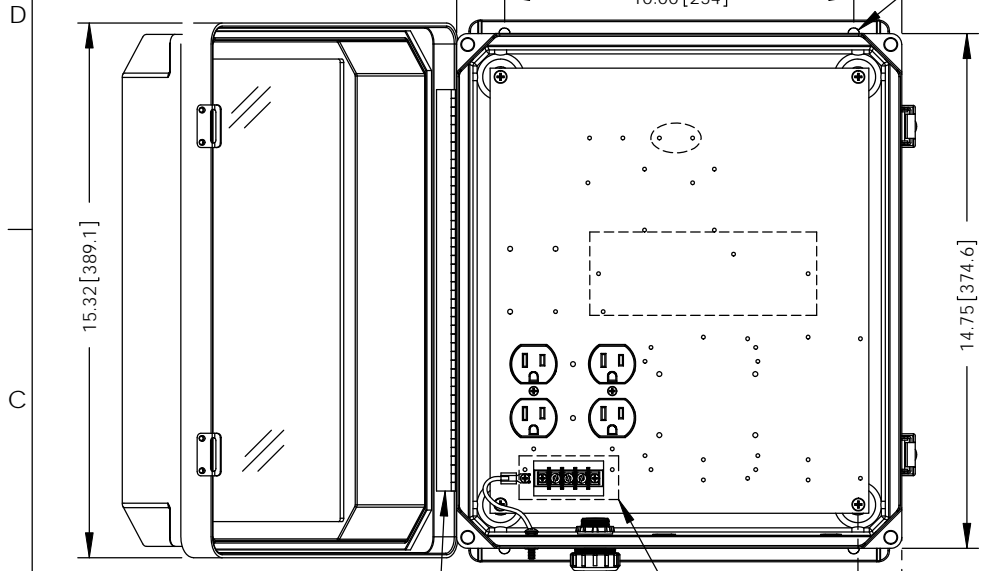
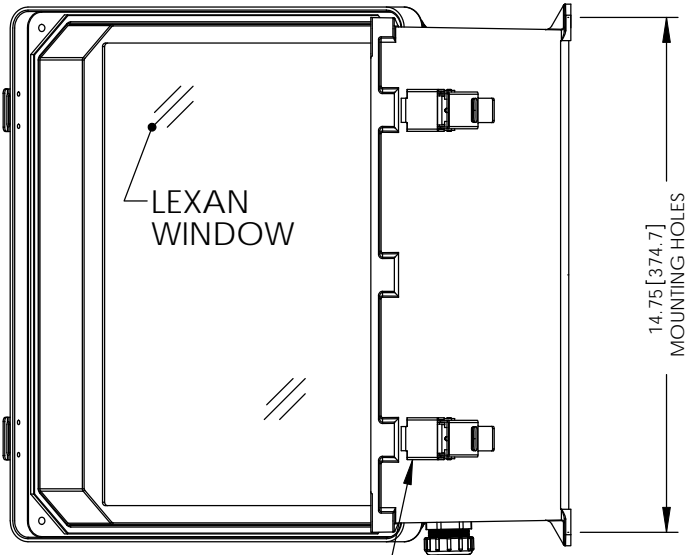


THE INFORMATION CONTAINED IN THIS DRAWING IS THE SOLE PROPERTY OF L-COM, INC. ANY REPRODUCTION IN PART OR WHOLE WITHOUT THE WRITTEN PERMISSION OF L-COM, INC. IS PROHIBITED.

REVISIONS			
REV	DESCRIPTION	DATE	APPROVED
A	INITIAL RELEASE	11/16/11	B.PUCHASKI

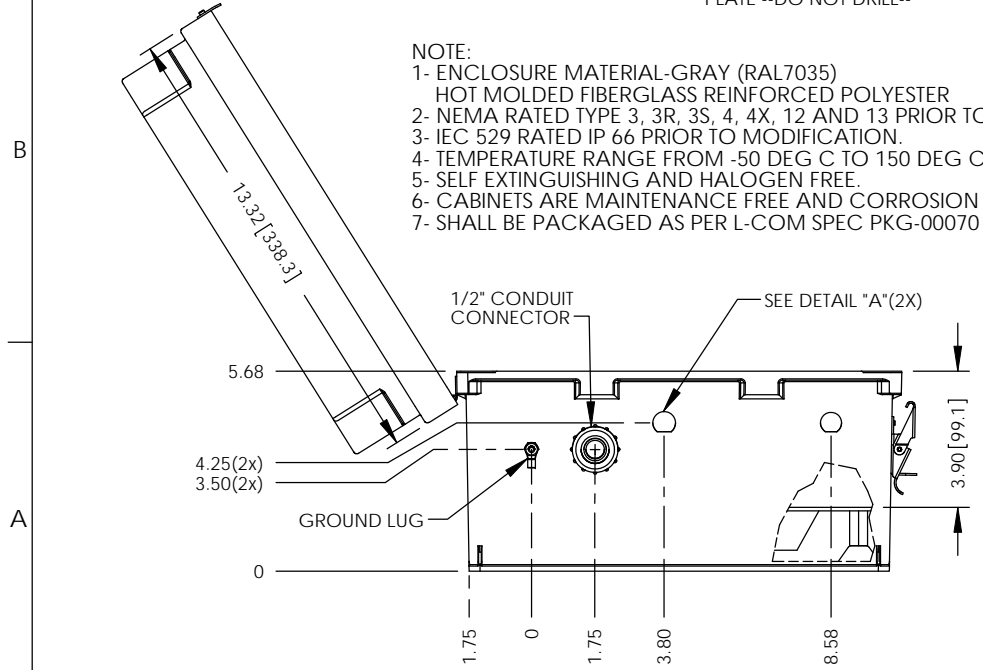
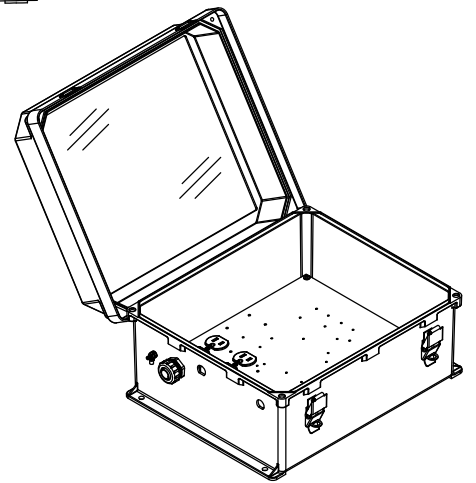
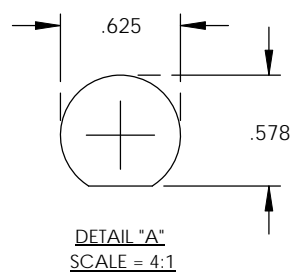


Ø.32 MOUNTING HOLES (4X)



304 SS PIANO HINGE
HIDDEN LINES REPRESENT COMPONENTS ON BACK OF PLATE --DO NOT DRILL--

- NOTE:
- ENCLOSURE MATERIAL-GRAY (RAL7035) HOT MOLDED FIBERGLASS REINFORCED POLYESTER
 - NEMA RATED TYPE 3, 3R, 3S, 4, 4X, 12 AND 13 PRIOR TO MODIFICATIONS.
 - IEC 529 RATED IP 66 PRIOR TO MODIFICATION.
 - TEMPERATURE RANGE FROM -50 DEG C TO 150 DEG C.
 - SELF EXTINGUISHING AND HALOGEN FREE.
 - CABINETS ARE MAINTENANCE FREE AND CORROSION RESISTANT.
 - SHALL BE PACKAGED AS PER L-COM SPEC PKG-00070



RoHS Compliant ✓

UNLESS OTHERWISE SPECIFIED, DIMENSIONS ARE IN INCHES [mm] DIMENSIONAL TOLERANCES: .X = ±.1 .XX = ±.01 .XXX = ±.005 ANGULAR TOLERANCES: ALL = ± 1° PROJECTION	APPROVALS	DATE		45 BEECHWOOD DRIVE NORTH ANDOVER, MA 01845		
	DRAWN BY B.PUCHASKI	11/16/11				
	CHECKED BY M.SEDLESKI	11/16/11	CATEGORY	ENCLOSURE		
	APPROVED BY M.MARTINEZ	11/16/11	PRODUCT DESCRIPTION			
CONFIGURATION DETAILS OF UNDIMENSIONED FEATURES MAY VARY	NEMA Enclosure 14 X 12 X 7 W/WINDOW 120V PLATE W/HEATER		SIZE A	FSCM NO. 43321	DWG. NO. NBW141207-1H0	REV. A
COLOR VARIATIONS MAY OCCUR	SCALE: NONE		CAD FILE: NBW141207-1H0.SLDDRW		SHEET 1 OF 1	