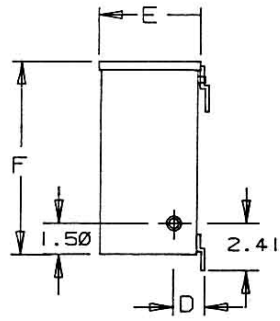
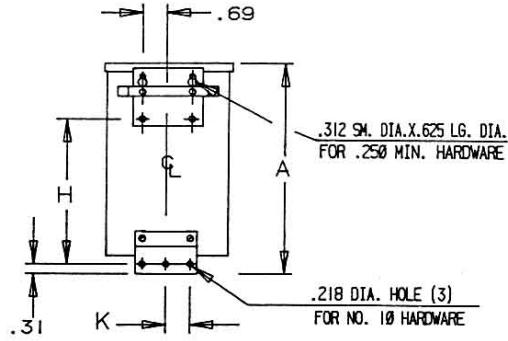


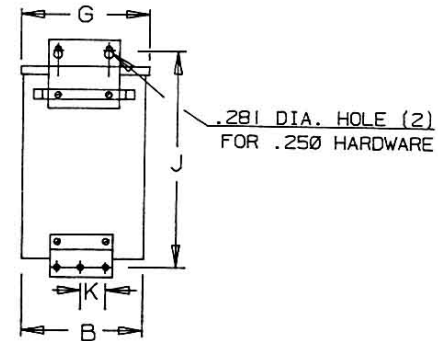
Revisions



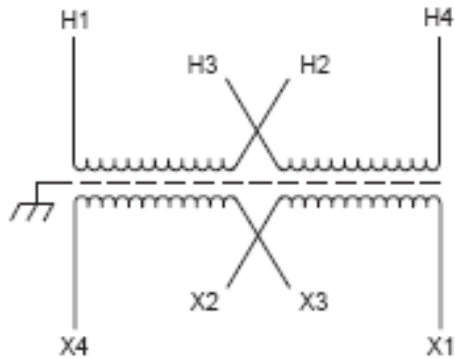
SIDE



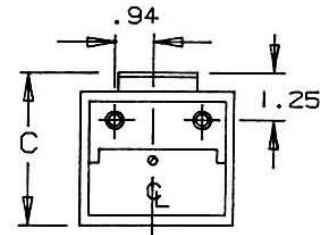
BACK (1)



BACK (2)



| Primary Volts | Connect Primary Lines To | Inter-Connect | Connect Secondary Lines To |
|-----------------|--------------------------|----------------------|----------------------------|
| 480 | H1-H4 | H2 to H3 | |
| 240 | H1-H3 & H2-H4 | | |
| Secondary Volts | | | |
| 240 | | X2 to X3 | X1-X4 |
| 120/240 | | X2 to X3 | X1-X2-X4 |
| 120 | | X1 to X3 X2 to X4 | X1-X4 |



BOTTOM



Type No.

| KVA | CATALOG NUMBER | VOLTAGE | | WIRING DIAGRAM | WEIGHT | PHASE | FREQ. |
|-----|--------------------|-----------|---------|----------------|--------|-------|----------|
| | | HIGH | LOW | | | | |
| 2.0 | T-2-53012-S | 240 x 480 | 120/240 | | 38 Lbs | 1 | 50/60 Hz |

TYPICAL PERFORMANCE DATA

| | |
|--------------|-------|
| Winding Rise | 115°C |
| Insulation | 180°C |
| Sound Level | 45 dB |

| | |
|----------------------|--|
| Regulation @ 100% PF | |
|----------------------|--|

| | |
|-----------|--|
| IMPEDANCE | |
|-----------|--|

| | |
|--------------------|--|
| Typical Efficiency | |
| Full Load Losses | |
| No Load Losses | |

| A | B | C | D | E | F | G | H | J | K |
|-------|------|------|------|------|-------|------|------|-------|------|
| 12.52 | 5.40 | 5.13 | 1.67 | 4.92 | 11.68 | 5.50 | 9.03 | 13.00 | 1.50 |

A

PRINTS TO

CONTROL
7