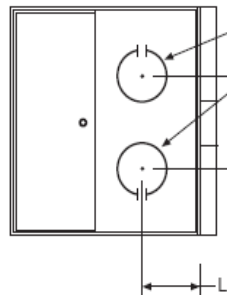
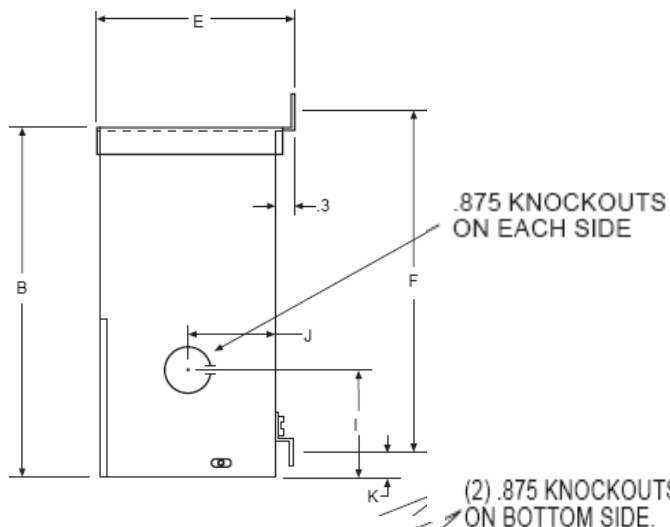
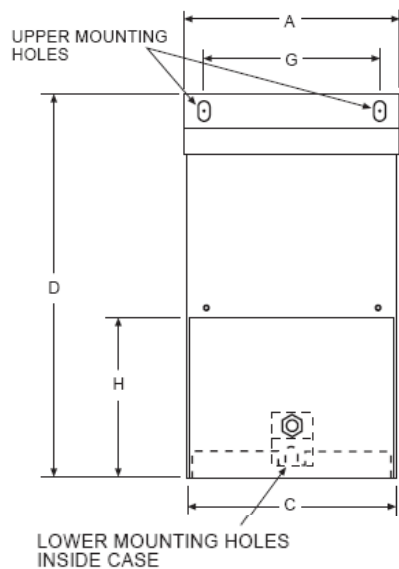
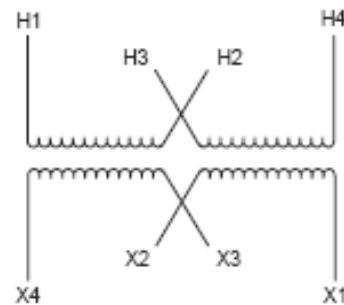


Revisions



1. MOUNT WITH #10 HARDWARE.



| Primary Volts | Connect Primary Lines To | Inter-Connect | Connect Secondary Lines To |
|-----------------|--------------------------|----------------------|----------------------------|
| 480 | H1-H4 | H2 to H3 | |
| 240 | H1-H3 & H2-H4 | | |
| Secondary Volts | | | |
| 240 | | X2 to X3 | X1-X4 |
| 120/240 | | X2 to X3 | X1-X2-X4 |
| 120 | | X1 to X3 X2 to X4 | X1-X4 |



Type No.

| KVA | CATALOG NUMBER | VOLTAGE | | Enclosure Rating | WEIGHT | PHASE | FREQ. |
|------|------------------|---------|---------|------------------|--------|----------|----------|
| | | HIGH | LOW | | | | |
| .150 | T-1-53006 | 240x480 | 120/240 | NEMA 3R | 7 Lbs | 1 ϕ | 50/60 Hz |

TYPICAL PERFORMANCE DATA

| | |
|--------------|-------|
| Winding Rise | 80°C |
| Insulation | 130°C |
| Sound Level | 40 dB |

| | |
|----------------------|--|
| Regulation @ 100% PF | |
|----------------------|--|

| | |
|-----------|--|
| IMPEDANCE | |
|-----------|--|

| | |
|--------------------|--|
| Typical Efficiency | |
| Full Load Losses | |
| No Load Losses | |

| KVA | A | B | C | D | E | F | G | H | I | J | K | L | M |
|-----------|------|------|------|------|------|------|------|------|------|------|-----|------|------|
| .050 | 3.25 | 5.79 | 3.14 | 6.41 | 3.05 | 5.63 | 2.50 | 2.75 | 2.04 | 1.36 | .48 | 1.03 | 1.53 |
| .100-.150 | 4.00 | 6.54 | 3.89 | 7.16 | 3.67 | 6.38 | 3.25 | 2.75 | 2.04 | 1.67 | .48 | 1.03 | 1.53 |

A

PRINTS TO

CONTROL
7