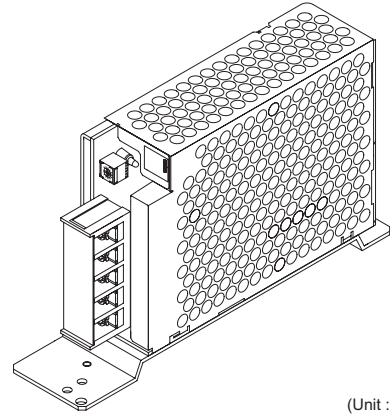


Attachment for Replacement

This is an attachment when replacing to PBA series from P · PAA series.

Plate model	Applicable to model
F-PPBA15-1	P15 → PBA15F
F-PPBA30-1	P30 → PBA30F
F-PPBA50-1	P50, PAA50F → PBA50F
F-PPBA75-1	PAA75F → PBA75F
F-PPBA100-1	P100, PAA100F → PBA100F
F-PPBA150-1	P150, PAA150F → PBA150F

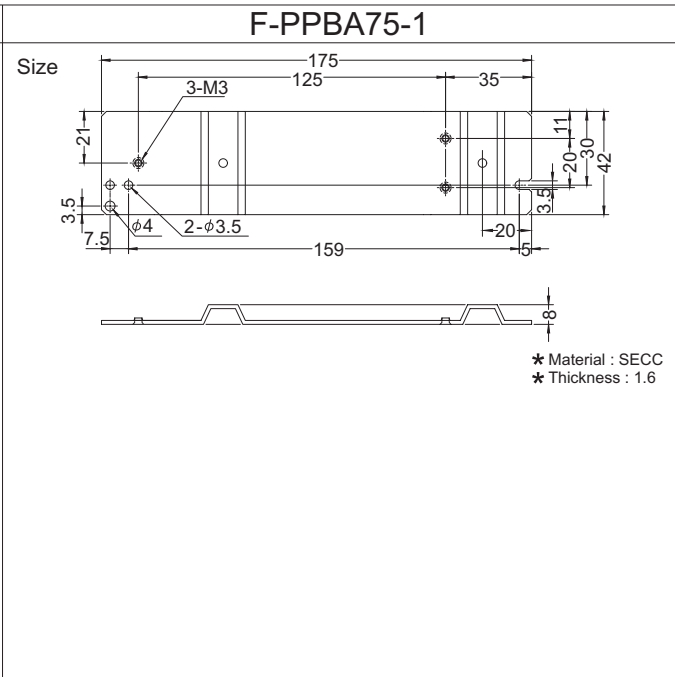
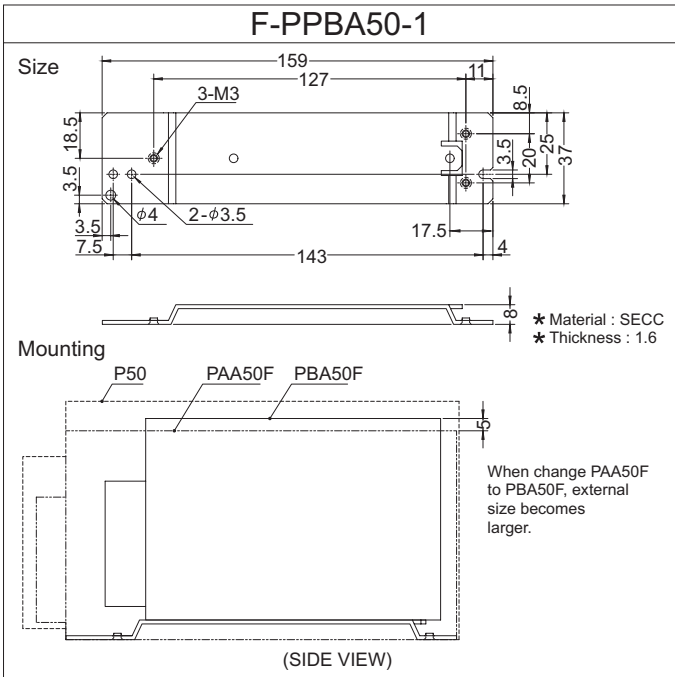
Example
(PBA50F)



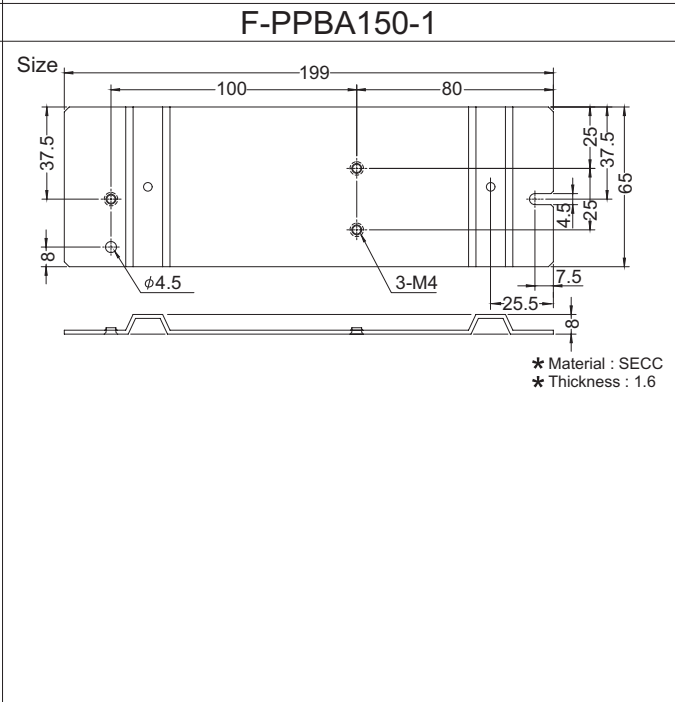
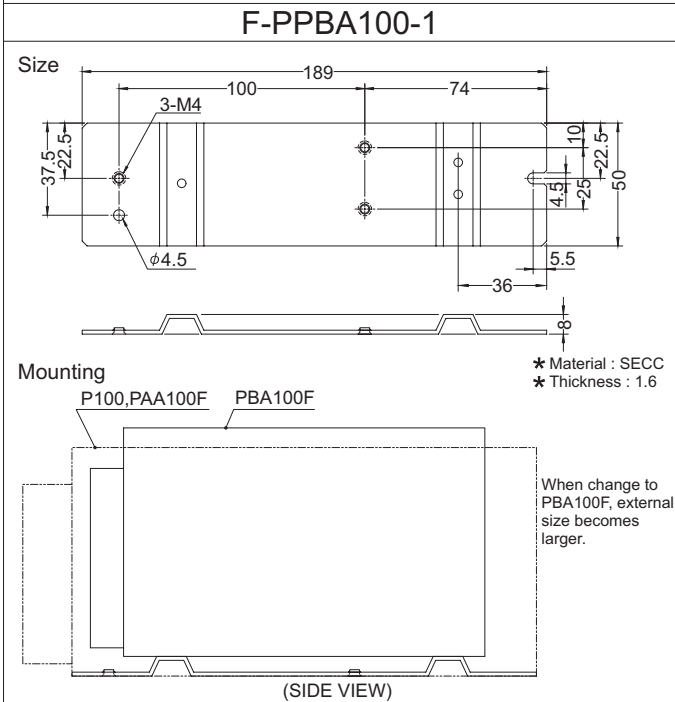
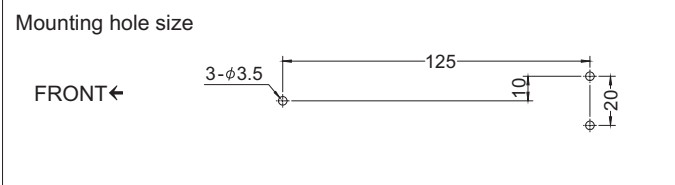
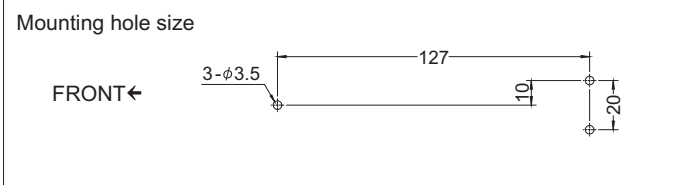
(Unit : mm) (Tolerance : ±1)

F-PPBA15-1	F-PPBA30-1
<p>Size</p> <p>Mounting</p> <p style="text-align: center;">(BOTTOM VIEW)</p> <p style="text-align: right;">* Material : SECC * Thickness : 1.6</p>	<p>Size</p> <p>Mounting</p> <p style="text-align: center;">(BOTTOM VIEW)</p> <p style="text-align: right;">* Material : SECC * Thickness : 1.6</p>
<p>* M3 × 8ℓ Flat screw is requested when mounting.</p>	
<p>Mounting hole size</p> <p>FRONT ←</p>	<p>Mounting hole size</p> <p>FRONT ←</p>

(Unit : mm) (Tolerance : ±1)



★ M3 × 8ℓ Flat screw is requested when mounting.



★ M3 × 8ℓ Flat screw is requested when mounting.

