

HyperLink Wireless brand Power-Over-Ethernet (PoE) Passive Injector / Tap Model: BT-CAT5-P1

Applications & Features

- Applications:**
- Wireless LAN Access Points and Bridges
 - Wireless LAN WiFi Amplifiers and Amplified Antennas
 - VoIP (Voice over Internet Protocol) Telephones
 - IP Surveillance Cameras
 - Bluetooth® Access Points
 - Web Cameras



- Features:**
- Lightning and surge protection on data and power lines
 - Industrial grade cast aluminum housing
 - Shielded RJ-45 jacks EMI noise suppression



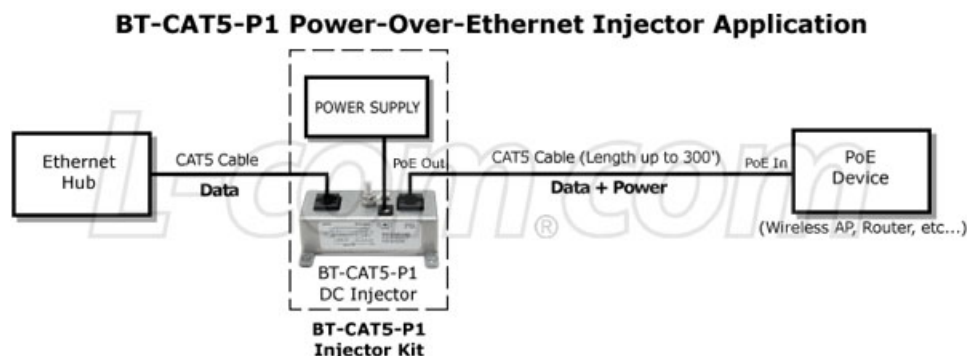
Description

The HyperLink BT-CAT5-P1 Single-Port CAT-5 Injector/Tap (also known as PoE Passive Splitter) is a commercial grade Power-over-Ethernet device that provides DC power for one PoE-equipped device. It is compatible with AP's and other equipment supporting the IEEE standard PoE pinout (Pins 4&5 Power + / Pins 7&8 Power -).

Power-over-Ethernet eliminates the need for an AC outlet at each AP location. Only a single Ethernet cable is run to each AP instead of separate power and data cables. The injector is typically installed near the Ethernet hub.

This unit can be used as either an "Injector" or as a "Tap". When used as an injector the device sends DC power through the Ethernet cable to a remote PoE device. When used as a "Tap" this unit taps the injected DC power from the Ethernet cable for use by certain non-PoE devices. The integral lightning and surge protection individually protects the 4 data lines as well as protection for the power lines. High speed devices clamp any voltage, positive or negative on the wires. The limits are +/- 15 volts on pins, 1, 2, 3, 6 and +/- 58 volts on pins, 4, 5, 7 and 8.

The BT-CAT5-P1 features shielded RJ45 jacks. This along with the BT-CAT5-P1's metal housing helps reduce the effects of EMI interference. A ground lug and terminal is provided directly on the injector housing providing superior grounding. The cast aluminum housing includes integral mounting feet for ease of installation.



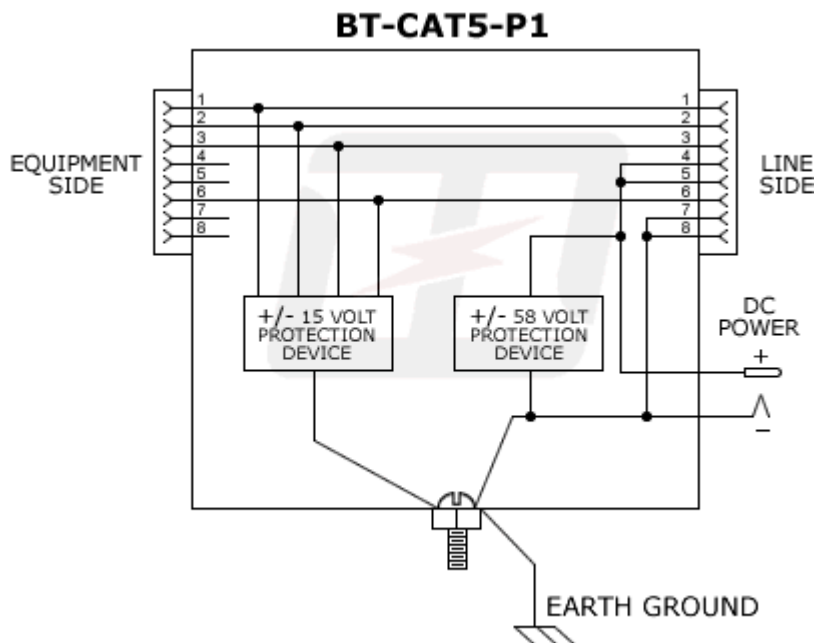
Specifications

Electrical Specifications

Operating Temp - Injector	-40° C to +70° C
Operating Temp - Power Supply	0° C to +50° C
Max Current	1 A
Power Connector	Standard 2.5mm Coaxial DC Power Jack (2.5mm x 5.5mm x 10mm Center Positive Plug Required)
Ethernet Connectors	(2) RJ45 Jack
Data Lines	Pair 1: Pins 1 and 2 Pair 2: Pins 3 and 6
CAT-5 Power Pinouts	+ VDC: Pins 4 & 5 - VDC: Pins 7 & 8

Mechanical Specifications

Weight	.28 lbs. (.13 kg)
Dimensions	3.6 x 1.4 x 1.2 (inches) 91.4 x 35.5 x 38.1 (mm)
Enclosure	Cast Aluminum Alloy
RoHS Compliant	Yes (Injector only)



Guaranteed Quality

This HyperGain® PoE Passive Splitter is designed and manufactured in the U.S.A. and is backed by L-com's Limited Warranty.