

Subracks - *europacPRO* ServicePLUS

Simple telescopic slide for assembly of subracks in cabinets

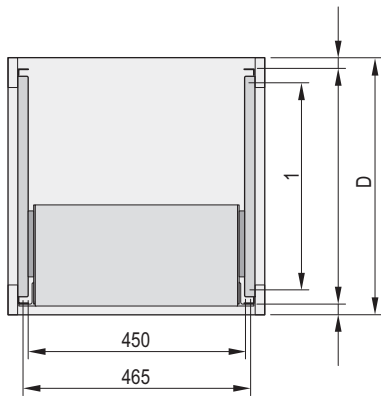


06101006

- For mounting 84 HP wide subracks in the 19" plane
- Loading capacity: 25 kg per pair
- The guiding profile is matched to the fixing dimension in the cabinet (it is bolted to the 19" profile of the cabinet); the adaptor rail is matched to the depth and fixing dimension on the subrack (it is inserted into the guiding profile like a telescopic slide)
- Safety note:
No protection against extraction, no stop at full extension

Order Information

Telescopic slides with guiding profile for fitting in cabinets



bza45819

Description	Depth D	x_f	x_r	C	c1	Part no.
	mm	mm	mm	mm	mm	
VARISTAR	600	50	50	500	369	24562-464
VARISTAR	800	50	50	700	569	24562-466
VARISTAR	900	50	50	800	669	24562-467
VARISTAR	1000	50	50	900	769	24562-468
VARISTAR	1100	50	50	1000	869	24562-472
VARISTAR	1200	50	50	1100	969	24562-473
eurorack	600	60	60	480	397	24562-449
eurorack	800	60	60	680	597	24562-451
eurorack	900	60	60	780	697	24562-452
NOVASTAR	500	33	60	407	350	24562-460
NOVASTAR	600	33	60	507	450	24562-461
NOVASTAR	800	33	60	707	650	24562-474
Lab rack	250	0	0	250	162	24562-446

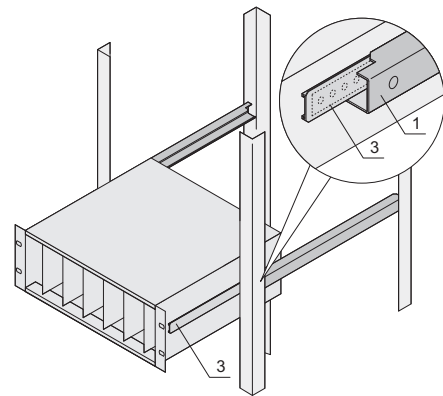
x_f , x_r : Distance of 19" plane to cabinet edge (front, rear)

c: Distance of 19" planes from each other,

c1: Fixing dimension of guiding profile on 19" panel/slide mounts

Order Information

Telescopic slides with adaptor rail for subracks



bza45819

For subrack depth	Part no.
mm	
175	24562-453
235	24562-454
295	24562-455
355	24562-456
415	24562-457
475	24562-458