

Safety relays - PSR-SCP- 24DC/SIM4 - 2981936

Please be informed that the data shown in this PDF Document is generated from our Online Catalog. Please find the complete data in the user's documentation. Our General Terms of Use for Downloads are valid (<http://phoenixcontact.com/download>)



Interface module for the connection of several safety sensors or switches with NC/NO contacts to the safety relay PSR-SDC4, with screw connection

Product Features

- 4 two-channel N/O or N/C contact inputs
- Up to Cat. 3/PL d according to ISO 13849-1, SILCL 2 according to IEC 62061, SIL 2 according to IEC 61508 (in conjunction with the PSR-SDC4 master)
- 4 PLC diagnostic outputs for evaluating the switching state of the safety sensors
- 4 LEDs as status indicators for the relevant sensor/switch
- PSR-TBUS connection



Key commercial data

Packing unit	1 pc
Weight per Piece (excluding packing)	140.0 GRM
Custom tariff number	85364190
Country of origin	Germany

Technical data

Dimensions

Width	22.5 mm
Height	99 mm
Depth	106 mm

Ambient conditions

Ambient temperature (operation)	-20 °C ... 55 °C
Ambient temperature (storage/transport)	-40 °C ... 70 °C
Degree of protection	IP20

Supply

Safety relays - PSR-SCP- 24DC/SIM4 - 2981936

Technical data

Supply

Nominal input voltage U_N	24 V DC (from PSR)
Input voltage range in reference to U_N	0.85 ... 1.1

General

Status display	Green LED
Max. permissible current	100 mA (per signal output)
Max. permissible total current	100 mA (alarm outputs)
Nominal operating mode	100% operating factor
Mounting position	any
Assembly instructions	In rows with zero spacing
Designation	Air and creepage distances between the power circuits
Standards/regulations	DIN EN 50178
Rated insulation voltage	50 V DC
Pollution degree	2
Surge voltage category	III

Connection data

Conductor cross section solid min.	0.2 mm ²
Conductor cross section solid max.	2.5 mm ²
Conductor cross section stranded min.	0.2 mm ²
Conductor cross section stranded max.	2.5 mm ²
Conductor cross section AWG/kcmil min.	24
Conductor cross section AWG/kcmil max	12
Stripping length	7 mm
Screw thread	M3
Connection method	Screw connection

Classifications

eCl@ss

eCl@ss 4.0	27371102
eCl@ss 4.1	27371102
eCl@ss 5.0	27371901
eCl@ss 5.1	27371901
eCl@ss 6.0	27371819
eCl@ss 7.0	27371819
eCl@ss 8.0	27371819

Safety relays - PSR-SCP- 24DC/SIM4 - 2981936

Classifications

ETIM

ETIM 2.0	EC001449
ETIM 3.0	EC001449
ETIM 4.0	EC001449
ETIM 5.0	EC001449

UNSPSC

UNSPSC 6.01	30211901
UNSPSC 7.0901	39121501
UNSPSC 11	39121501
UNSPSC 12.01	39121501
UNSPSC 13.2	39121501

Approvals

Approvals

Approvals

UL Listed / GOST / cUL Listed / cULus Listed

Ex Approvals

Approvals submitted

Approval details

UL Listed

GOST

cUL Listed

Safety relays - PSR-SCP- 24DC/SIM4 - 2981936

Approvals



Accessories

Accessories

DIN rail connector

DIN rail connector - PSR-TBUS - 2890425



DIN rail connector for safety switching devices, for supplying/controlling/monitoring (depending on the module)

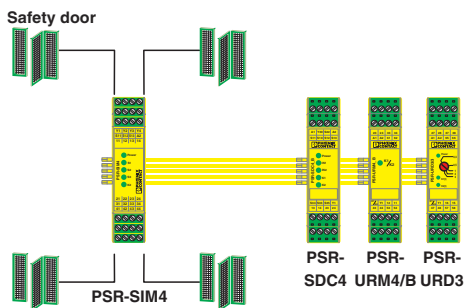
DIN rail connector - PSR-TBUS-TP - 2981716



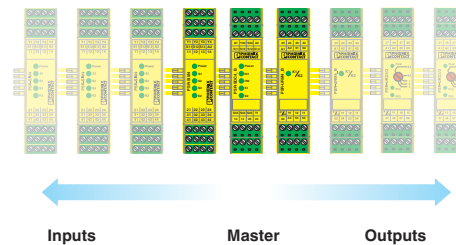
Blind plug for the PSR-TBUS DIN rail connector used with the modular safety relay system (PSR-SDC4)

Drawings

Application drawing



Application drawing

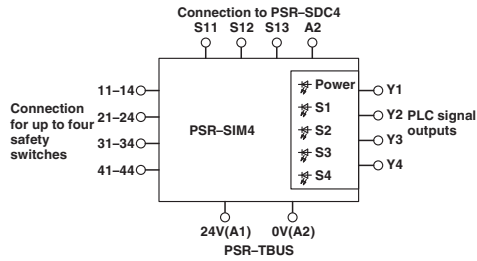


Up to 4 safety door switches can be connected to one PSR-SIM4.

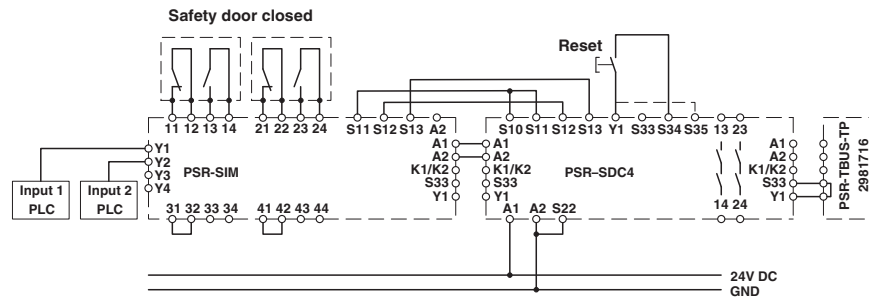
Additional inputs are aligned on the left of the PSR-SDC4, outputs are to its right.

Safety relays - PSR-SCP- 24DC/SIM4 - 2981936

Circuit diagram



Circuit diagram



Contact extension