

Female insert - STG-MTN 0,5-1,0 - 3190438

Please be informed that the data shown in this PDF Document is generated from our Online Catalog. Please find the complete data in the user's documentation. Our General Terms of Use for Downloads are valid (<http://phoenixcontact.com/download>)



Module socket contact, inserted in the PCC or HCC plug housing after crimping the conductor, for 0.5 mm² ... 1.0 mm² conductors



Key commercial data

Packing unit	1 pc
GTIN	 4 017918 093341
Weight per Piece (excluding packing)	0.42 GRM
Custom tariff number	85366990
Country of origin	Poland

Technical data

General

Color	silver
-------	--------

Classifications

eCl@ss

eCl@ss 4.0	27141199
eCl@ss 4.1	27141199
eCl@ss 5.0	27141145
eCl@ss 5.1	27141145
eCl@ss 6.0	27141120
eCl@ss 7.0	27141120
eCl@ss 8.0	27149149

Female insert - STG-MTN 0,5-1,0 - 3190438

Classifications

ETIM

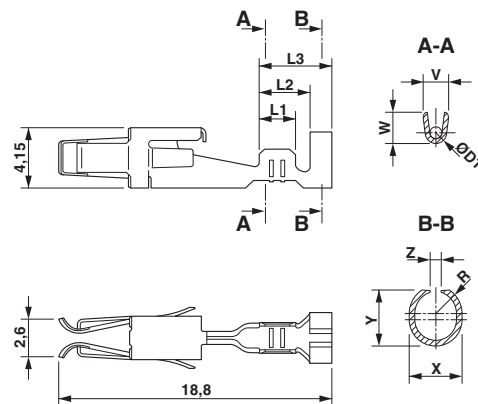
ETIM 2.0	EC000897
ETIM 3.0	EC000897
ETIM 4.0	EC000897
ETIM 5.0	EC000897

UNSPSC

UNSPSC 6.01	30211802
UNSPSC 7.0901	39121402
UNSPSC 11	39121402
UNSPSC 12.01	39121402
UNSPSC 13.2	39121402

Drawings

Dimensioned drawing



Female insert - STG-MTN 0,5-1,0 - 3190438

Diagram

