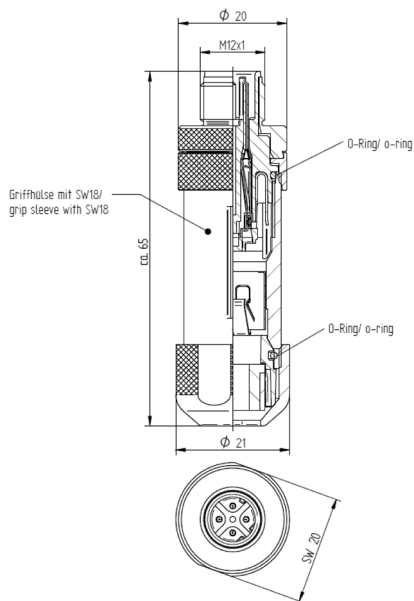


## Industrial Ethernet Field Attachable Connectors for PROFINET or Ethernet/IP Applications



Type	0986 EMC 102
<b>Product description</b>	Field attachable connector, M12 male connector, 3- and 4-pole with threaded joint, shieldable, assembling with spring-type terminals.  0986 EMC 102: 4 poles, D coding, especially suitable for Industrial EtherNet data cable 0985 342 000/... M
<b>Environmental</b>	
<b>Degree of protection</b>	IP 67 / NEMA 6P
<b>Operating temperature range</b>	-25°C (-13°F) / +90°C (+194°F)
<b>Mechanical</b>	
<b>Housing / Molded body</b>	GD-ZnAl, pre-coppered and nickel-plated
<b>Pins</b>	4D
<b>Cable diameter range</b>	Ø 4.0-9.0 mm
<b>Insert</b>	PBT
<b>Contacts</b>	Stainless steel, silver-plated, gold-plated
<b>Receptacle</b>	CuZn, nickel-plated
<b>Shield sleeve</b>	CuBe, tin-plated
<b>O-ring</b>	FKM
<b>Mode of connection</b>	Spring-type terminals
<b>Connectable conductor</b>	0.14–0.50 mm <sup>2</sup> , 0.14 mm <sup>2</sup> with terminal pin sleeve
<b>Electrical</b>	
<b>Contact resistance</b>	≤ 5 mΩ
<b>Nominal current at 40°C</b>	4 A
<b>Nominal voltage</b>	120 V
<b>Rated voltage</b>	125 V
<b>Test voltage</b>	1.5 kV eff. / 60 s
<b>Insulation resistance</b>	> 109 Ω
<b>Pollution degree</b>	3

The application of these products in harsh environments should always be checked before use. Specifications subject to alteration.

### Pin assignment

M12, Male, 4-poles D-coding



Part number	Order number
0986 EMC 102	900001428

