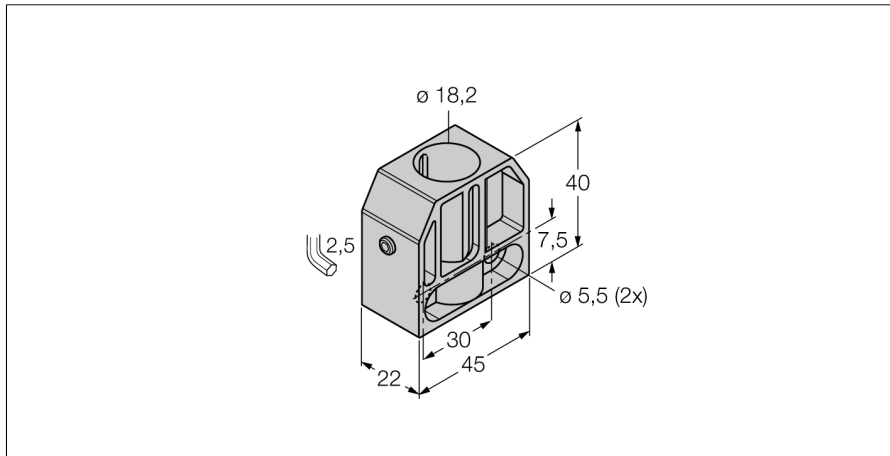


Accessories

Mounting Clamp

BS 18



- Fixing clamp M18 x 1
- Plastic: PA6

Type	BS 18
ID	69471
Design	Accessories for threaded barrels, M18
Dimensions	40 mm
Housing material	Plastic, PA6