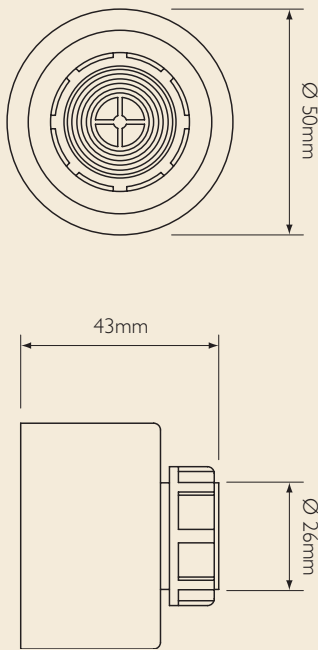


## ASKARI PANEL PROCESS SOUNDERS



### Specification

|              |                  |
|--------------|------------------|
| Voltage      | 9 - 28Vdc        |
| Current      | 18mA @ 24Vdc     |
| Temperature  | - 25°C to + 70°C |
| Sound Output | 92dB(A) at 24Vdc |
| Tones        | 32               |
| IP Rating    | IP65             |
| Weight       | 0.95Kg           |
| Colour       | Red or White     |

A compact sounder, purpose designed to fit through the fascias of control panels or equipment housings. The single nut fixing ensures simple installation and maximum audibility, while the high IP rating allows installation in most process and industrial environments.

- THROUGH PANEL FIXING
- LOW CURRENT CONSUMPTION
- 32 TONES
- AUTOMATIC SYNCHRONISATION
- SECOND TONE FOR TWO STAGE ALARMS