

## Control panel bushing, plug, POW



Powering Business Worldwide™

Part no. **SWD4-SML8-20**

Article no. **121381**

### Delivery programme

Product range			SmartWire-DT accessories
Accessories			Switch cabinet bushing
Function			for transition from SmartWire-DT ribbon cable to round cable
Description			Connection round cable via plug Connection of ribbon cable with blade terminal SWD4-8MF2 8 pole double conductor run pluggable zusätzliche Einspeisung der Steuerspannung für Motorstarter und Schütze.
Connection to SmartWire-DT			yes
For use with			SWD4-8SFF2-5

### Approbationen

UL approval	Yes
CSA approval	Yes
UL File No.	E29184
UL CCN	NKCR
CSA File No.	2324643
CSA Class No.	3211-07
NA Certification	UL listed, CSA certified
Specially designed for NA	No

Part no.			SWD4-SML8-20
----------	--	--	--------------

### General

Standards			IEC/EN 61131-2 EN 50178
Dimensions (W x H x D)		mm	35 x 83 x 46
Weight		g	50
Mounting position			As required

### Ambient conditions, mechanical

Protection type (IEC/EN 60529, EN50178, VBG 4)			IP67
Vibrations (IEC/EN 61131-2:2008)			
Constant amplitude 3,5 mm		Hz	5 - 8.4
Constant acceleration 1 g		Hz	8.4 - 150
Mechanical shock resistance (IEC/EN 60068-2-27) semi-sinusoidal 15 g/11 ms		Impacts	9

### Electromagnetic compatibility (EMC)

Electrostatic discharge (IEC/EN 61131-2:2008)			
Air discharge (Level 3)		kV	8
Contact discharge (Level 2)		kV	4
Electromagnetic fields (IEC/EN 61131-2:2008)			
80 - 1000 MHz		V/m	10
1.4 - 2 GHz		V/m	3
2 - 2.7 GHz		V/m	1
Radiated RFI (IEC/EN 61131-2:2008, Level 3)		V	10

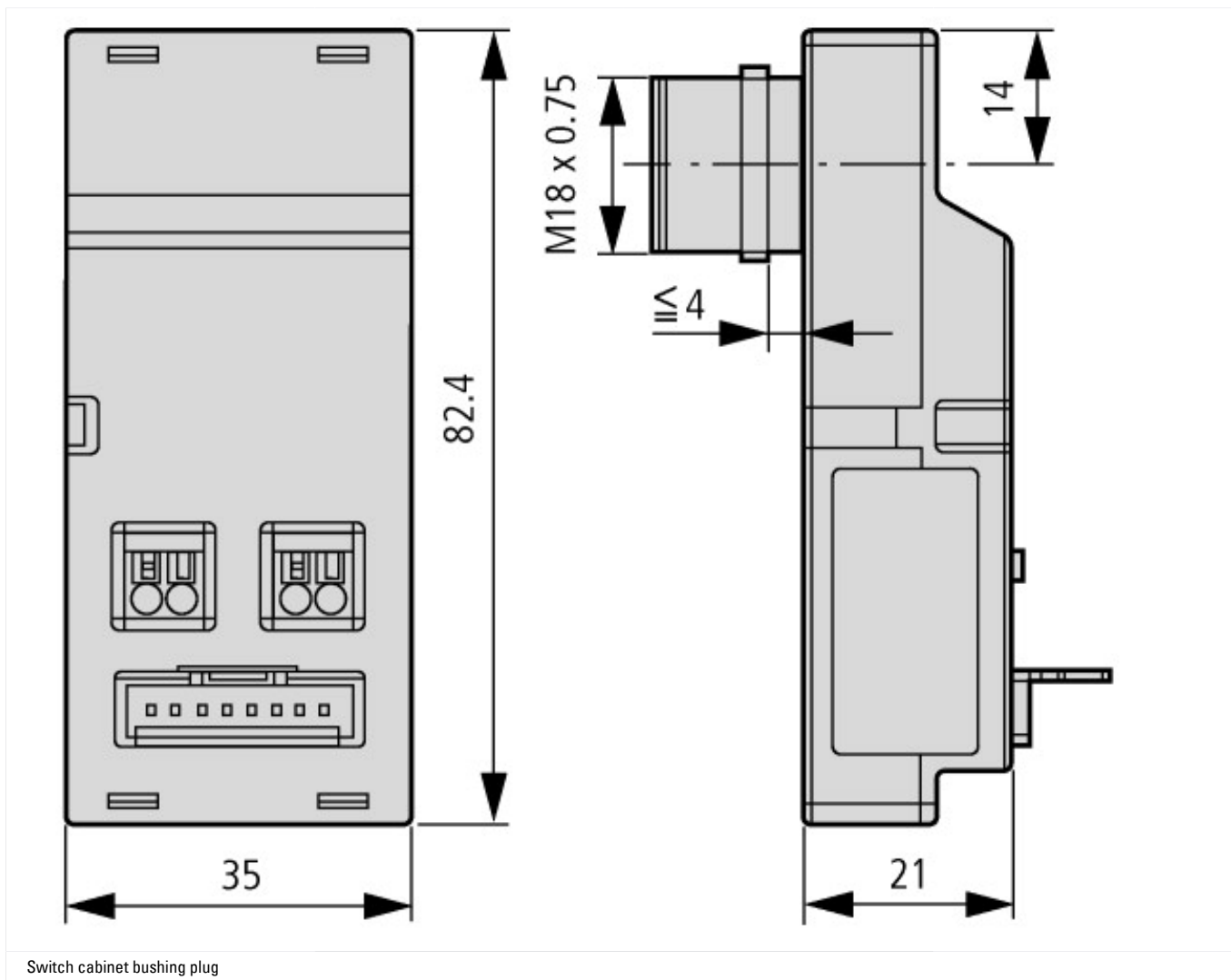
### Climatic environmental conditions

Operating ambient temperature (IEC 60068-2)		°C	- 25 - + 55
Condensation			Take appropriate measures to prevent condensation
Storage		°C	- 40 - 70
relative humidity, non-condensing (IEC/EN 60068-2-30)		%	5 - 95

### Connection options

SWD-In		Plug, 8-pole
Number of insertion cycles		≥ 500
SWD-Out		Plug, 8-pole
Number of insertion cycles		≥ 200

## Dimensions



## Additional product information (links)

<b>IL04716001Z (AWA1160-2512) SmartWire-DT: Wiring material and accessories</b>	
IL04716001Z (AWA1160-2512) SmartWire-DT: Wiring material and accessories	<a href="ftp://ftp.moeller.net/DOCUMENTATION/AWA_INSTRUCTIONS/IL04716001Z2010_11.pdf">ftp://ftp.moeller.net/DOCUMENTATION/AWA_INSTRUCTIONS/IL04716001Z2010_11.pdf</a>
<b>MN05006002Z-EN (AWB2723-1617) SmartWire-DT, The System</b>	
MN05006002Z-DE (AWB2723-1617) SmartWire-DT, Das System - Deutsch	<a href="ftp://ftp.moeller.net/DOCUMENTATION/AWB_MANUALS/MN05006002Z_DE.pdf">ftp://ftp.moeller.net/DOCUMENTATION/AWB_MANUALS/MN05006002Z_DE.pdf</a>
MN05006002Z-EN (AWB2723-1617) SmartWire-DT, The System - English	<a href="ftp://ftp.moeller.net/DOCUMENTATION/AWB_MANUALS/MN05006002Z_EN.pdf">ftp://ftp.moeller.net/DOCUMENTATION/AWB_MANUALS/MN05006002Z_EN.pdf</a>
MN05006002Z-IT (AWB2723-1617) SmartWire-Darwin, Il sistema - italiano	<a href="ftp://ftp.moeller.net/DOCUMENTATION/AWB_MANUALS/MN05006002Z_IT.pdf">ftp://ftp.moeller.net/DOCUMENTATION/AWB_MANUALS/MN05006002Z_IT.pdf</a>