

Thermal device circuit breaker - TCP 10/DC32V - 0700010

Please be informed that the data shown in this PDF Document is generated from our Online Catalog. Please find the complete data in the user's documentation. Our General Terms of Use for Downloads are valid (<http://phoenixcontact.com/download>)



Thermal device circuit breaker, Number of positions: 1, Nominal current: 10 A, Nominal voltage: 32 V, Width: 6 mm, Fuse type: Slow-blow, Fuse type: Automatic device, Mounting type: On base element, Color: red

Product Features

- ✓ Compact design with precise nominal current levels
- ✓ A version with screw or spring-cage connection is used as a basic terminal block
- ✓ In the event of an error, the time-sensitive search for a suitable replacement fuse is eliminated thanks to the reclosure function
- ✓ Fits in all fuse holders designed for flat-type fuse inserts according to ISO 8820-3 (DIN 72581-3)
- ✓ Plug-in thermal miniature circuit breakers combine the protective mechanism of an auto flat-type fuse with the advantages of a circuit breaker
- ✓ The area of application extends to the protection of integrated circuits in all battery and onboard systems with up to 32 V DC



Key commercial data

| | |
|--------------------------------------|-----------|
| Packing unit | 1 pc |
| Weight per Piece (excluding packing) | 4.184 GRM |
| Custom tariff number | 85362010 |
| Country of origin | Germany |

Technical data

General

| | |
|---------------------|-----------------|
| Mounting type | On base element |
| Color | red |
| Number of positions | 1 |
| Insulating material | PA |

Electrical data

| | |
|---------------|------------------|
| Fuse | Slow-blow |
| Fuse type | Automatic device |
| Rated voltage | 32 V DC |

Thermal device circuit breaker - TCP 10/DC32V - 0700010

Technical data

Electrical data

| | |
|---|-------------------------------|
| Rated current I_n | 10 A |
| Rated short-circuit switching capacity I_{cn} | 150 A (≥ 3 switch-offs) |
| | 2000 A (≥ 1 switch-off) |
| | ≤ 50 A (300 switch-offs) |

Dimensions

| | |
|--------|---------|
| Height | 20.3 mm |
| Width | 6 mm |
| Depth | 24 mm |

Ambient conditions

| | |
|---------------------------------|-----------------------|
| Degree of protection | IP30 (Actuation area) |
| Ambient temperature (operation) | -40 °C ... 85 °C |

Classifications

eCl@ss

| | |
|------------|----------|
| eCl@ss 4.0 | 27141116 |
| eCl@ss 4.1 | 27141116 |
| eCl@ss 5.0 | 27141116 |
| eCl@ss 5.1 | 27141116 |
| eCl@ss 6.0 | 27141116 |
| eCl@ss 7.0 | 27141116 |
| eCl@ss 8.0 | 27141116 |

ETIM

| | |
|----------|----------|
| ETIM 2.0 | EC000899 |
| ETIM 3.0 | EC000899 |
| ETIM 4.0 | EC000899 |
| ETIM 5.0 | EC000899 |

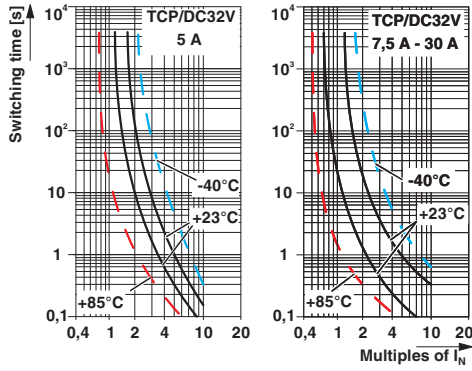
UNSPSC

| | |
|---------------|----------|
| UNSPSC 6.01 | 30211812 |
| UNSPSC 7.0901 | 39121411 |
| UNSPSC 11 | 39121411 |
| UNSPSC 12.01 | 39121411 |
| UNSPSC 13.2 | 39121411 |

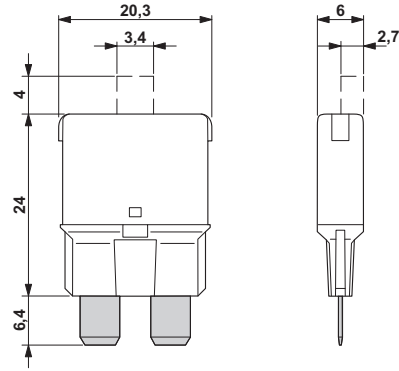
Drawings

Thermal device circuit breaker - TCP 10/DC32V - 0700010

Diagram



Dimensioned drawing



Application drawing

