

# Coaxial Adapter, N-Female Bulkhead / NMO (TAD) Mobile Antenna Mount



Order online or call 1-800-341-5266



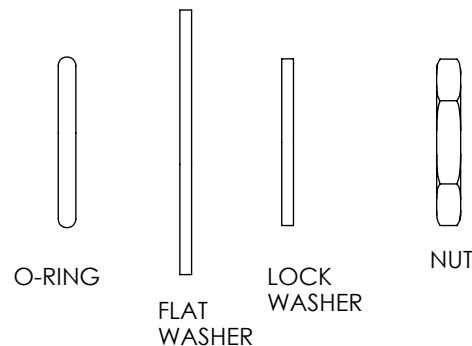
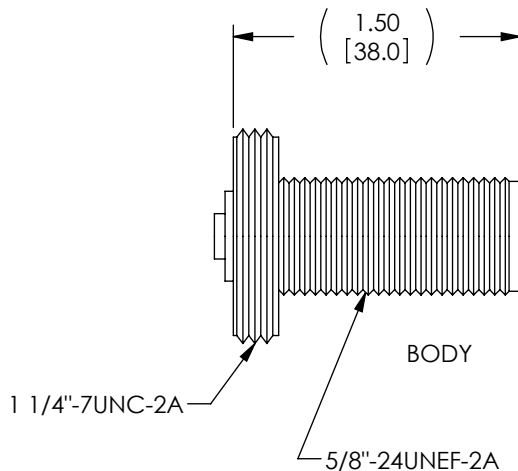
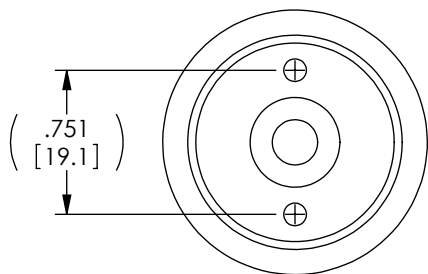
Roll over image to zoom in

Overview	Features/Applications	Specs	Downloads
<b>Specifications</b>			
<b>Electrical</b>			
Impedance		50 Ohms	
Frequency Range		DC ~ 11 GHz	
Voltage Rating		1500 Volts Peak	
Dielectric Withstanding Voltage		2500 Volts RMS	
Insertion Loss		.15 dB Max.	
<b>Mechanical</b>			
Mating		NMO/TAD Threaded Coupling 5/8-24-UNEF Threaded Coupling	
Mating Torque		15 inch pounds (170 N.cm) Max.	
<b>Material</b>			
Body		Brass	
Contact		Gold Plated Brass	
Insulator		TFE	
<b>Environmental</b>			
Temperature Range		-55C(-67F) to +85C(+185F)	
Temperature Cycling		MIL-Std. 202	
Weatherproof		Yes	
Moisture Resistance		MIL-Std. 202	
Corrosion		MIL-Std. 202	
Vibration		MIL-Std. 202	
Altitude		MIL-Std. 202	
RoHS Compliant		Yes	

THE INFORMATION CONTAINED IN THIS DRAWING IS THE SOLE PROPERTY OF L-COM, INC. ANY REPRODUCTION IN PART OR WHOLE WITHOUT THE WRITTEN PERMISSION OF L-COM, INC. IS PROHIBITED.

REVISIONS			
REV	DESCRIPTION	DATE	APPROVED
A	INITIAL RELEASE	4/22/10	D.GRIFFIN

DESCRIPTION	MATERIAL	FINISH
BODY	BRASS	NICKEL
CENTER PIN	BRASS	GOLD
INSULATOR	TEFLON	-
LOCK WASHER	BRASS	NICKEL
FLAT WASHER	BRASS	NICKEL
NUT	BRASS	NICKEL
O-RING	RUBBER	-



**NOTES:**

**ELECTRICAL:**

IMPEDANCE: 50 OHMS  
 FREQUENCY RANGE: DC ~ 11 GHz  
 VOLTAGE RATING: 1500 VOLTS PEAK  
 WITHSTAND VOLTAGE: 2500V RMS.  
 INSERTION LOSS: .15 dB MAX.

**MISCELLANEOUS:**

COMPONENT SHALL BE INDIVIDUALLY PACKAGED IN ACCORDANCE WITH L-COM SPEC. PS-0031

ALL DIMENSIONS ARE FOR REFERENCE ONLY.

**RoHS Compliant** ✓

UNLESS OTHERWISE SPECIFIED, DIMENSIONS ARE IN INCHES [mm] OVERALL CABLE LENGTH TOLERANCE: ≤12 [305] = +1 [25] / -0 >12 [305] ≤60 [1524] = +2 [51] / -0 >60 [1524] ≤120 [3048] = +4 [102] / -0 >120 [3048] ≤300 [7620] = +6 [152] / -0 >300 [7620] = +3% / -0% ALL OTHER DIMENSIONAL TOLERANCES: .X = ±.2 .XX = ±.02 .XXX = ±.005	APPROVALS DRAWN BY D. CASTRO CHECKED BY K. BURGNER APPROVED BY K. BURGNER	DATE 4/20/10 4/21/10 4/21/10	45 BEECHWOOD DRIVE NORTH ANDOVER, MA 01845
	CONFIGURATION DETAILS OF UNDIMENSIONED FEATURES MAY VARY		
PROJECTION 	COLOR VARIATIONS MAY OCCUR	SIZE <b>A</b>	FSCM NO. <b>43321</b> DWG. NO. AXA-AMNFB
SCALE: NONE		CAD FILE: AXA-AMNFB.SLDDRW	
SHEET 1 OF 1			REV. <b>A</b>