

Desk-top enclosure - *propac*PRO

Cases, 2 and 3 U, unshielded

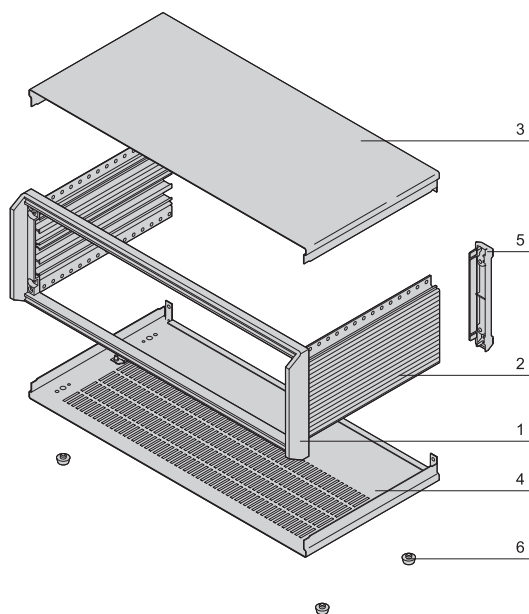


05806001

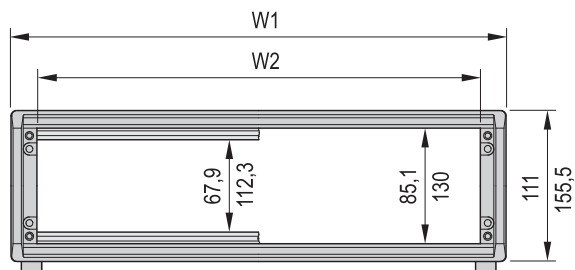
- Desk-top case with pre-configured components, in accordance with IEC 60297-3-101; prepared for 19" components such as plug-in units and euroboards
- Ventilation slots in base plate
- Prepared for GND/earthing

Delivery comprises (kit, items 1 - 5 fitted)

Item	Qty	Description
1	1	Frame, Al die-cast, powder-coated, RAL 7016
2	2	Side panel, Al extrusion, powder-coated, RAL 9006
3	1	Cover plate, Al, 1 mm, internal surface conductive, visible surface powder-coated, RAL 9006, with GND/earthing tag
4	1	Base plate, Al, 1 mm, internal surface conductive, visible surface powder-coated, RAL 9006, with GND/earthing tag, base plate with 4 rows of ventilation slots
5	2	End piece for rear, ABS, RAL 7016, UL 94 V-0; can be used as a foot for use in vertical position
6	4	Case foot with anti-slip protection, PC, black, UL 94 V-0
7	1	Assembly kit

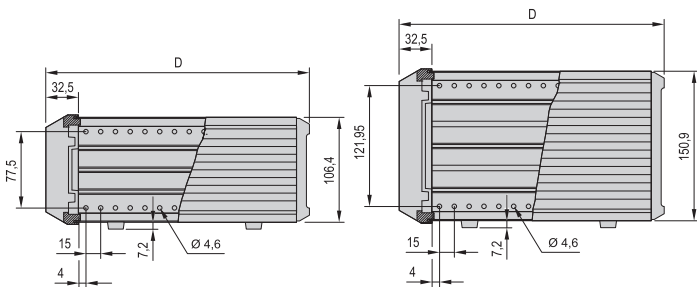


05806057



05806077

Cross-section 2 U, 3 U



2 U

05806059

3 U

05806060

Order Information

Usable width	Width W1	Depth D	2 U	3 U	
W2	W2		Part no.	Part no.	
HP	mm	mm			
28	147.3	185.9	266	-	14576-101
28	147.3	185.9	326	-	14576-103
42	218.4	257	266	14576-021	14576-121
42	218.4	257	326	14576-023	14576-123
42	218.4	257	386	-	14576-125
63	325.1	363.7	266	14576-041	14576-141
63	325.1	363.7	326	14576-043	14576-143
63	325.1	363.7	386	14576-045	14576-145
84	431.8	470.3	266	-	14576-161
84	431.8	470.3	326	-	14576-163
84	431.8	470.3	386	-	14576-165
84	431.8	470.3	446	-	14576-167
84	431.8	470.3	506	-	14576-169

Accessories

GND/earthing kit Cu wire 1.5 mm ² , PVC sleeve, green/yellow, links side panels, base, cover and rear panel, PU 1 piece	21102-001
---	-----------

Maximum mounting depth = D - 45
(Distance: front panel - rear panel)

Note

- Case, 3 U with side panel for tip-up carrying handle, see page 5.52
- Dimensions see page 5.48
- Dimensions side panel, see page 5.53



For further information www.schroff.biz/oneclick
oneClick search code = Part no.



ServicePLUS see page 5.4