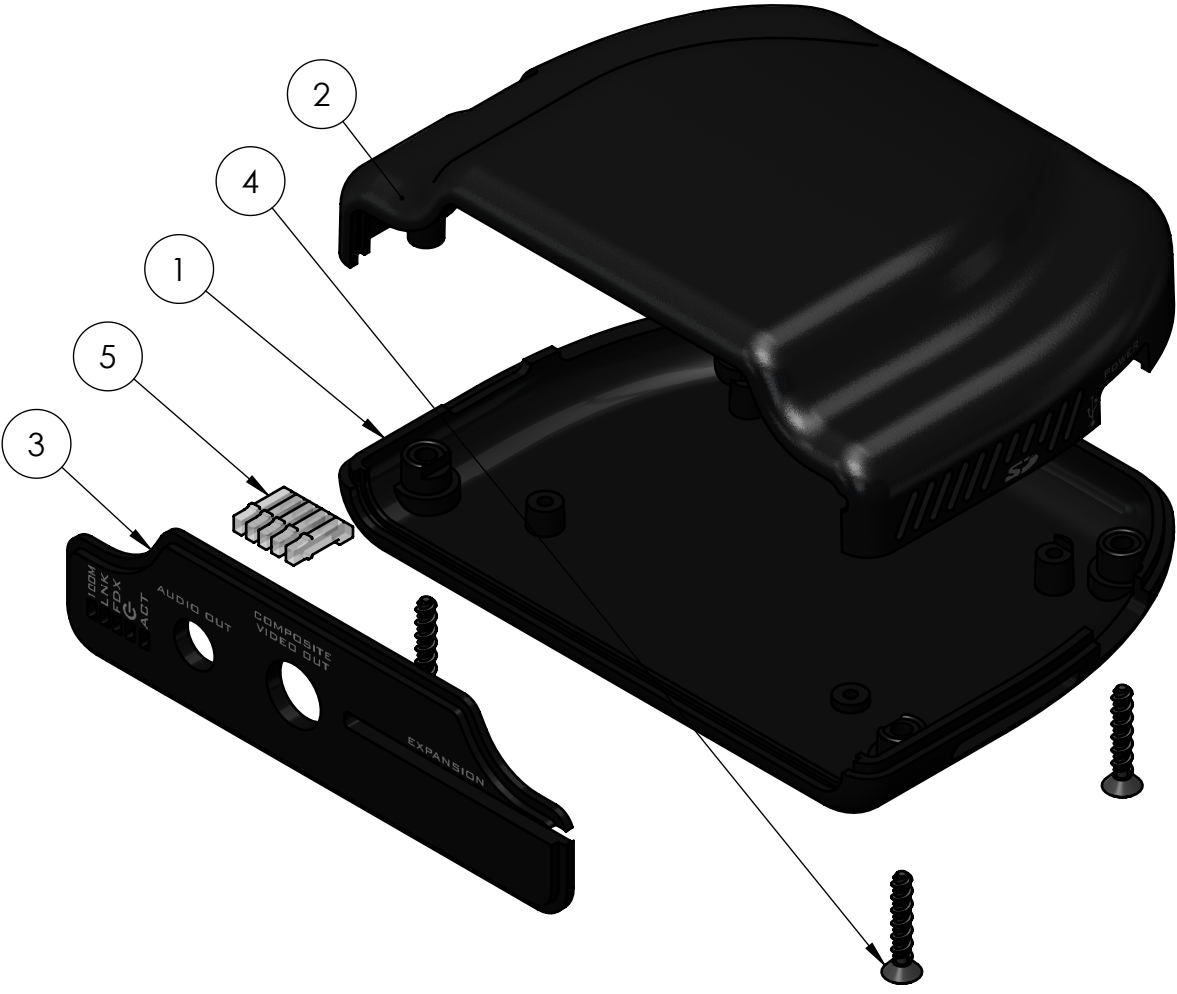


BOM Table					
ITEM NO.	PART NUMBER	Rev.	Product	Color	QTY.
1	PI-20B	-	AG-43BMB	BLACK	1
2	PI-20C	-	AG-43C-T	BLACK	1
3	PI-20EP	-	AG-43EP	BLACK	1
4	SCREWS-HL5/8-BR	-			4
5	LIGHTPIPE-001*08	-	SHEET-001*08	CLEAR	5



UNLESS OTHERWISE SPECIFIED: DIMENSIONS ARE IN: INCHES[mm] TOLERANCES: ANGULAR: ±2° TWO PLACE DECIMAL: ±.010 THREE PLACE DECIMAL: ±.005 PRINTED GRAPHICS: ±.010 PROPRIETARY AND CONFIDENTIAL THE INFORMATION CONTAINED IN THIS DRAWING IS THE SOLE PROPERTY OF POLYCASE. ANY REPRODUCTION IN PART OR AS A WHOLE WITHOUT THE WRITTEN PERMISSION OF POLYCASE IS PROHIBITED. CAD FILE: PI-20	PART NO. PI-20		 <small>1305 CHESTER IND. PARKWAY AVON, OHIO 44011-1083 U.S.A. PH#: 1-800-248-1233, 440-934-0444 FAX#: 440-934-0088</small>		
	PRODUCT				
	CLIENT POLYCASE		SIZE B	Secondary Operations Drawing	REV -
	DRAWN	NAME	DATE	SCALE: 1:1	
CHECKED	D.M.F.	8/15/2012	SHEET 1 OF 1		
	-	12/31/2999			