

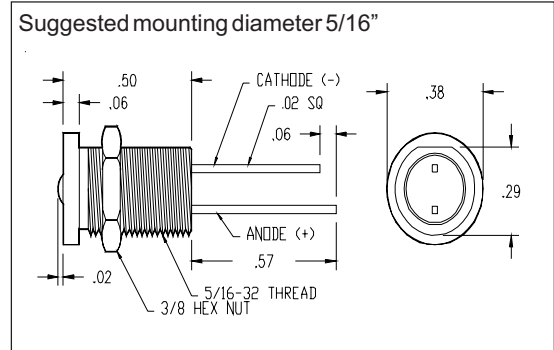
Brilliance by design

Panel Mount Non-relampable LED

www.SloanLED.com

MODEL 252

The 252 Model incorporates a non-relampable T 1 3/4 LED in a variety of colors. For panel mounting through a 5/16" (0.312") dia. hole. Black anodized aluminum for neat panel appearance. Available with O-ring for panel sealing (See Model 253). No lens for maximum viewing angle. Supplied with or without internal resistor, for operation up to 28V.



252

FEATURES

- Panel mount in 5/16" (0.312") diameter hole
- Black anodized aluminum body
- All LED colors available
- For operation from sources up to 28V., with built-in resistor
- No lens for maximum viewing angle
- Hardware includes hex nut and lug washer
- Supplied with 6" wire leads

HOW TO ORDER

<u>Voltage</u>	<u>Model No.</u>
2vdc*	252-2X
5vdc	252-5X
12vdc	252-12X
24vdc	252-24X
28vdc	252-28X

*external resistor required

Where the 'X' appears insert:

- 1-Red
- 2-Green
- 3-Yellow
- 4-Amber
- 5-Ultra Green
- 6-Ultra Blue
- 7-Pure White

NOTE:

*For Voltage/Current Specs, see page A-1.
LEDs continuous forward current = 20 mA