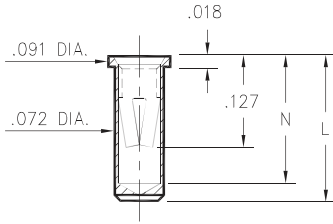


### 0327/0351/0373



Basic Part Number	Length L	Depth N
0327-0	.206	.180
0351-0	.226	.200
0373-0	.270	.241

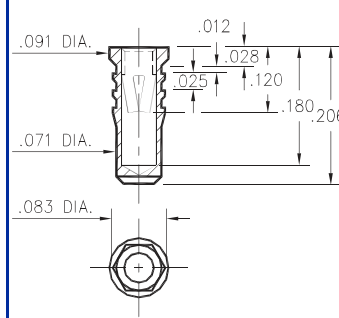
**T&R Packaging**

Basic Part Number	Tape Width	Parts per 13" Reel
0327-0	12mm	1,400
0351-0	24mm	1,100

**03XX-0-15-XX-34-XX-10-0**

Solder mount in .075 min. mounting hole  
Also available on 12mm or 24mm wide carrier tape: See chart for Details.  
Order as: 03XX-0-57-XX-34-XX-10-0

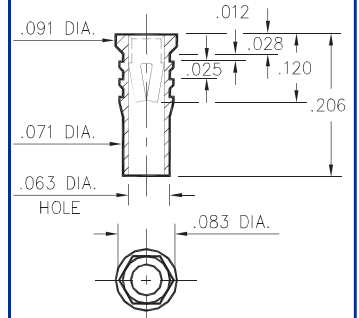
### 0328



**0328-0-15-XX-34-XX-10-0**

Hex press-fit in .079 plated thru hole

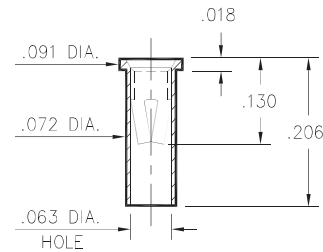
### 0334



**0334-0-15-XX-34-XX-10-0**

Hex press-fit in .079 plated thru hole

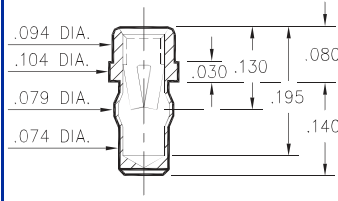
### 0312



**0312-0-15-XX-34-XX-10-0**

Solder mount in .075 min. mounting hole  
Also available on 12mm wide carrier tape: 1,400 parts per 13" reel.  
Order as: 0312-0-57-XX-34-XX-10-0

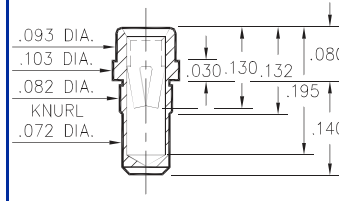
### 0333



**0333-0-42-XX-34-XX-10-0**

Press-fit in .076 mounting hole

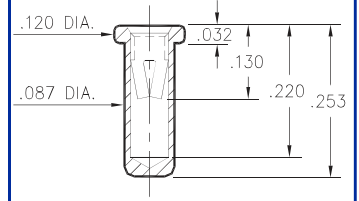
### 0357



**0357-0-15-XX-34-XX-10-0**

Press-fit in .078 mounting hole

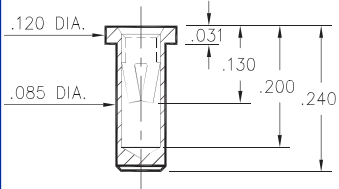
### 0317



**0317-0-15-XX-34-XX-10-0**

Solder mount in .091 min. mounting hole

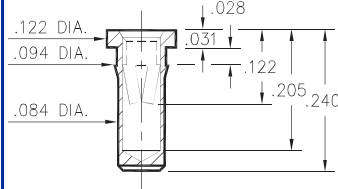
### 0340



**0340-0-15-XX-34-XX-10-0**

Solder mount in .087 min. mounting hole

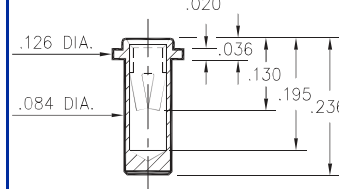
### 0345



**0345-0-15-XX-34-XX-10-0**

Press-fit in .089 mounting hole

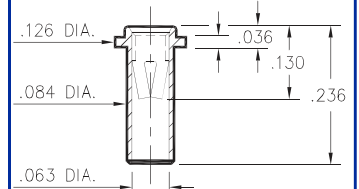
### 0316



**0316-0-15-XX-34-XX-10-0**

Solder mount in .087 min. mounting hole

### 0314



**0314-0-15-XX-34-XX-10-0**

Solder mount in .087 min. mounting hole

## SPECIFICATIONS

**SHELL MATERIAL:**  
Brass Alloy 360, 1/2 Hard

**CONTACT MATERIAL:**  
Beryllium Copper Alloy 172, HT

**DIMENSION IN INCHES**  
**TOLERANCES ON:**  
LENGTHS: ±.005  
DIAMETERS: ±.002  
ANGLES: ± 2°

**ORDER CODE: XXXX - X - XX - XX - 34 - XX - 10 - 0**

**BASIC PART #** →

**SPECIFY SHELL FINISH:**  
01 200µ" TIN/LEAD OVER NICKEL  
◇ 80 200µ" TIN OVER NICKEL (RoHS)  
◇ 15 10µ" GOLD OVER NICKEL (RoHS)

**SPECIFY CONTACT FINISH:**  
01 200µ" TIN/LEAD OVER NICKEL  
◇ 80 200µ" TIN OVER NICKEL (RoHS)  
◇ 27 30µ" GOLD OVER NICKEL (RoHS)



**CONTACT**

#34 CONTACT (DATA ON PAGE 224)