

51866-025LF : 51866-025LF
PWRBLADE R/A LF REC

Product Image
Unavailable



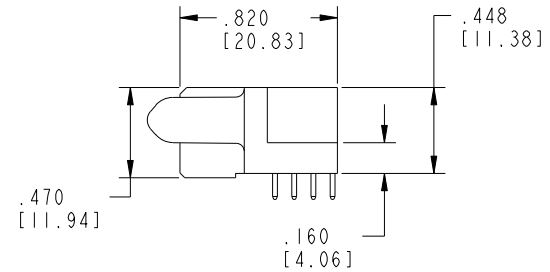
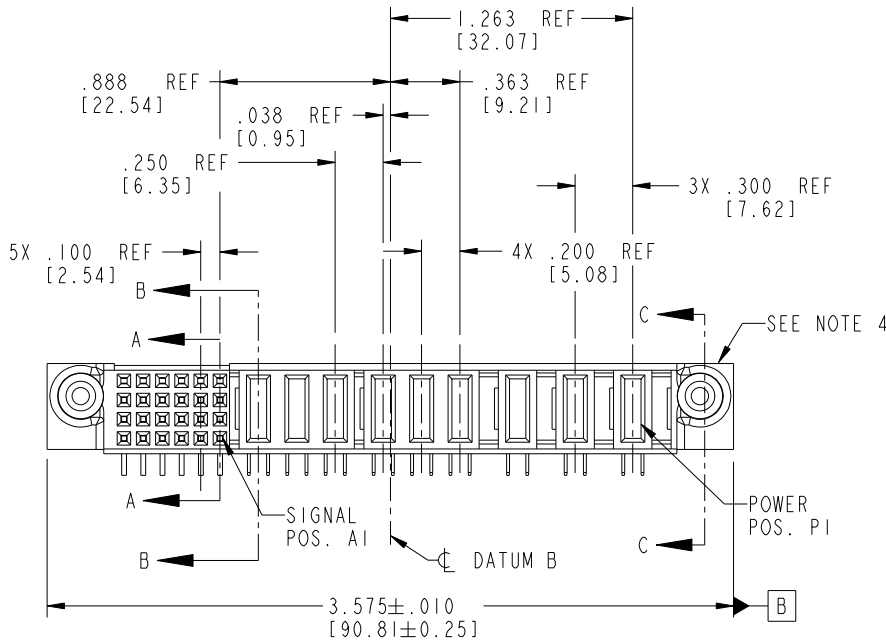
www.fci.com

Tous droits strictement réservés. Reproduction ou communication a des tiers interdite sous quelque forme que ce soit sans autorisation écrite du propriétaire. Propriété de c FCI. Droits de reproduction FCI.



All rights strictly reserved. Reproduction or issue to third parties in any form whatever is not permitted without written authority from the proprietor. Property of FCI. Copyright FCI.

PRODUCT NO. 51866-025-- NOTE: ③	ROWS D C B A	SIGNAL					POWER							E1			
		E2	6	5	4	3	2	1	P9	P8	P7	P6	P5		P4	P3	P2
			H	H	H	H	H	PC	PC	PC	PC	PC	PC	PA	PC	PC	
			G	G	G	G	G										
			F	F	F	F	F										
			E	E	E	E	E										



CODE	DIM "M" MATING LENGTH	CONTACT TYPE
E	N/A [N/A]	SIGNAL
F	N/A [N/A]	SIGNAL
G	N/A [N/A]	SIGNAL
H	N/A [N/A]	SIGNAL
PA	.042 [1.07]	POWER
PC	.092 [2.34]	POWER

mat'l code SEE NOTE 2				tolerances unless otherwise specified		CUSTOMER			
ltr	ecn no.	dr	date	linear	.XX±.01/0.X±0.3	COPY		www.fciconnect.com	
A	V04-0145	TAB	02/17/04		.XX±.005/0.XX±0.13	projection		title 9P + 24S	
B	V04-0242	DAI	03/09/04	angles	.XXX±.0020/0.XXX±0.051			R/A SOLDER RECEPTACLE	
C	V04-0271	TAB	03/26/04		0°±2°	INCH/MM		product family PwrBlade code 213	
D	DG05-0206	SJ	07/05/05	dr	T. BRUNGARD 02/17/04	scale 1:1		size dwg no 51866-025	
E	DG08-0251	W D	09/16/08	enr	M. GRAY 02/17/04			sheet 1 of 4	
				chr	M. GRAY 02/17/04				
				oppd	M. GRAY 02/17/04				
sheet index	revision sheet	E 1	E 2	E 3	E 4				

Pro/E

PDM: Rev: E

STATUS: Released

Printed: Dec 20, 2010

cage code 2556

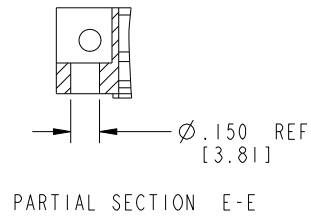
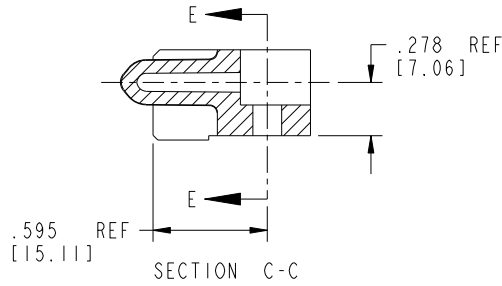
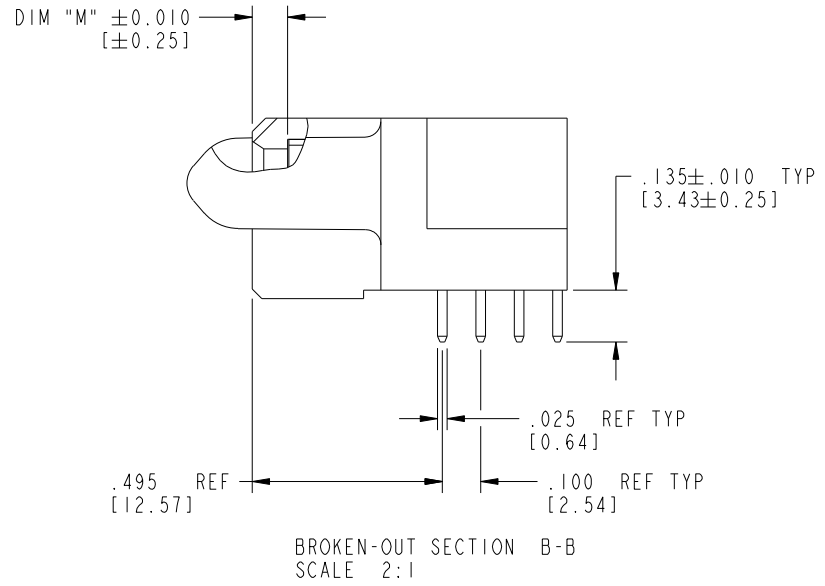
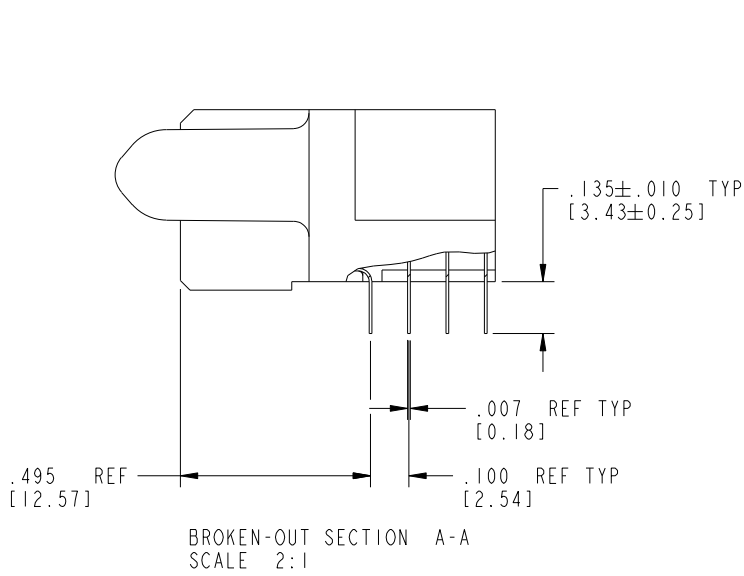
Tous droits strictement réservés. Reproduction ou communication a des tiers interdite sous quelque forme que ce soit sans autorisation écrite du propriétaire. Propriété de c FCI. Droits de reproduction FCI.

All rights strictly reserved. Reproduction or issue to third parties in any form whatever is not permitted without written authority from the proprietor. Property of FCI. Copyright FCI.



PRODUCT NUMBER

51866-025--
NOTE: ③



mat'l code		SEE NOTE 2		tolerances unless otherwise specified		CUSTOMER		FCI	
lir	ecn no.	dr	date	linear	.XX±.01/0.X±0.3	COPY		www.fciconnect.com	
E				projection	.XXY±.005/0.XX±0.13			title 9P + 24S	
				angles	.XXX±.0020/0.XXX±0.051			R/A SOLDER RECEPTACLE	
				dr	T. BRUNGARD 02/17/04	INCH/MM		product family PwrBlade	
				engr	M. GRAY 02/17/04	scale 1:1		code 213	
				chr	M. GRAY 02/17/04	A		size dwg no 51866-025	
				appd	M. GRAY 02/17/04	2 of 4		sheet 2 of 4	
sheet index		revision sheet							

Pro/E

PDM: Rev: E

STATUS: Released

Printed: Dec 20, 2010

Tous droits strictement réservés. Reproduction ou communication a des tiers interdite sous quelque forme que ce soit sans autorisation écrite du propriétaire. Propriété de c FCI. Droits de reproduction FCI.

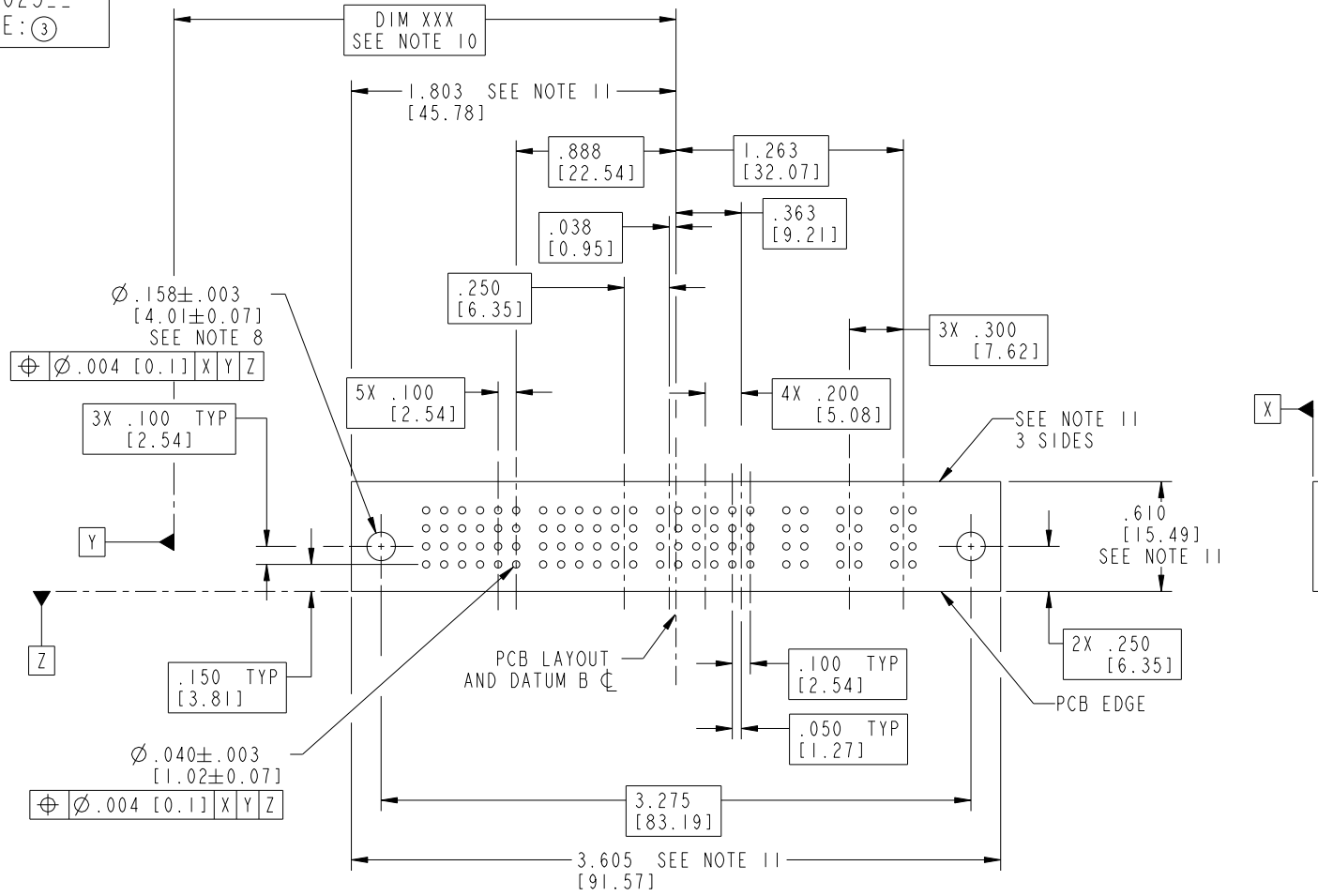
All rights strictly reserved. Reproduction or issue to third parties in any form whatever is not permitted without written authority from the proprietor. Property of FCI. Copyright FCI.



PRODUCT NUMBER

51866-025--

NOTE: ③



RECOMMENDED PCB LAYOUT

mat'l code		SEE NOTE 2		tolerances unless otherwise specified		CUSTOMER		 www.fciconnect.com	
ltr	ecn no.	dr	date	linear	.XX±.01/0.X±0.3	COPY		title	
E				linear	.XXY±.005/0.XX±0.13	projection		9P + 24S	
				angles	.XXX±.0020/0.XXX±0.051			R/A SOLDER RECEPTACLE	
				dr	0°±2°	INCH/MM		product family	
				engr	T. BRUNGARD 02/17/04	scale		PwrBlade	
				chr	M. GRAY 02/17/04	1:1		code	
				appd	M. GRAY 02/17/04	A		213	
sheet index		revision sheet		A		51866-025		sheet 3 of 4	

cage code 2856

Pro/E

PDM: Rev: E

STATUS: Released

Printed: Dec 20, 2010

PRODUCT NUMBER
 51866-025--
 NOTE: ③

NOTES:

1. DIMENSIONS AND TOLERANCES ARE IN ACCORDANCE WITH ASME Y14.5M, 1994 UNLESS OTHERWISE SPECIFIED.

CONNECTOR NOTES:

2. HOUSING MATERIAL: UL 94 V-0 GLASS FILLED HIGH-TEMP THERMOPLASTIC
 POWER CONTACT MATERIAL: COPPER ALLOY
 SIGNAL PIN MATERIAL: COPPER ALLOY

3. SEE ITEM 5 & 6 IN PRINT 10064183 FOR PLATING SPEC OF 51866-025 AND 51866-025LF RESPECTIVELY.

4. MANUFACTURER'S NAME, P/N, AND DATE CODE TO APPEAR ON THIS SURFACE.

5. PRODUCT SPECIFICATION GS-12-149.
 APPLICATION SPECIFICATION BUS-20-067.

6. PACKAGED IN TRAYS.

PCB NOTES:

7. ALL HOLE DIAMETERS ARE FINISHED HOLE SIZE.

8. MOUNTING HOLES, WHERE APPLICABLE, ARE UNPLATED.

9. $\varnothing .0453 \pm .0010$ [1.151 ± 0.025] DRILLED HOLES PLATED WITH
 .0003 [0.008] MIN SnPb OVER .001 [0.03]
 TO .003 [0.08] Cu PLATING TO ACHIEVE
 $\varnothing .040 \pm .003$ [1.02 ± .07] HOLE.

10. "DIM XXX" TO BE DETERMINED BY THE CUSTOMER.

11. CONNECTOR KEEP-OUT ZONE.

12. SYMBOL WILL BE NEXT TO ANY DIMENSION, VIEW, OR NOTE WHICH HAS BEEN MODIFIED
 WITH THE CURRENT DRAWING REVISION.

mat'l code		SEE NOTE 2		tolerances unless otherwise specified		CUSTOMER			
ltr	ecn no.	dr	date	linear	.XX ± .01 / 0.X ± 0.3	COPY		www.fciconnect.com	
E				projection	.XXX ± .005 / 0.XX ± 0.13			title	
				angles	.XXX ± .0020 / 0.XXX ± 0.051			9P + 24S	
				dr	0° ± 2°	INCH/MM		R/A SOLDER RECEPTACLE	
				enr	T. BRUNGARD 02/17/04	scale		product family	
				chr	M. GRAY 02/17/04	1:1		PwrBlade	
				appd	M. GRAY 02/17/04	size		code	
sheet index		revision sheet				A		213	
						51866-025		4 of 4	

Tous droits strictement réservés. Reproduction ou communication a des tiers interdite sous quelque forme que ce soit sans autorisation écrite du propriétaire. Propriété de c FCI. Droits de reproduction FCI.



All rights strictly reserved. Reproduction or issue to third parties in any form whatever is not permitted without written authority from the proprietor. Property of FCI. Copyright FCI.