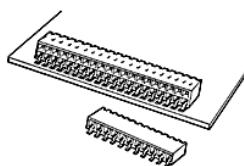


**71607-321LF - DUBOX™ : 21
Position Horizontal Card
Connector, Surface Mount,
Single row**



www.fci.com

Mating Half

77315-101-21LF

Specifications

General

| | |
|-------------------------------------|---|
| Hold Down Style | No Locating Pegs |
| Number of contacts (per row) | 21 |
| Number of contacts (Total) | 21 |
| Number of rows | 1 |
| Orientation | Horizontal |
| Packaging | Tube |
| Mating half | Mates with 0.64 mm (0.025 in.) Square pins. |
| Series Number | 71607 |

Dimensional

| | |
|--------------------------|---|
| Thickness (Board) | 1.6 mm (0.062 in.) or 2.36 mm (0.093 in.) |
| Footprint (Board) | 2.54 mm x 11.43 mm (0.1 in. x 0.45 in.) |

Electrical

| | |
|--------------------------------|---|
| Current rating | 3A max. per Contact/2A max. per Contact for Full Load |
| Resistance (Contact) | 15 milli ohms Initial, 20 milli ohms After test |
| Resistance (Insulation) | 100000 M-ohms |
| Voltage rating | 1000V rms |

Mechanical

| | |
|-------------------------|-------------------------------|
| Insertion force | 1.50N (150 gf) per Contact |
| Withdrawal Force | 0.3N (30 gf) min. per Contact |

Mounting

| | |
|-----------------------|-----------------------------|
| Solder process | Wave IR Vapor - Phase |
|-----------------------|-----------------------------|

Physical

| | |
|---------------------------|--------------------------------|
| Color (Housing) | Grey |
| Material (Contact) | Phosphor Bronze |
| Material (Housing) | High Temperature Thermoplastic |

| | |
|-----------------------------------|--------------------------|
| Plating (Contact area) | 0.76 µm (30 µin.) Gold |
| Plating (Tail) | 2.54 µm (100 µin.) Tin |
| Underplating (Contact) | 1.27 µm (50 µin.) Nickel |
| Flammability rating | UL 94 V-0 |
| Temperature (Range) | -65 °C to +125 °C |
| Approvals / Certifications | |
| UL File Number | E66906 |
| Approvals / Certifications | UL and CSA Approved |

PRODUCT NUMBER
71607-YXXZLF

WHEN NEEDED, SUFFIX LETTER "LF"
INDICATES THE PRODUCT IS RoHS
COMPATIBLE, SEE NOTE 6

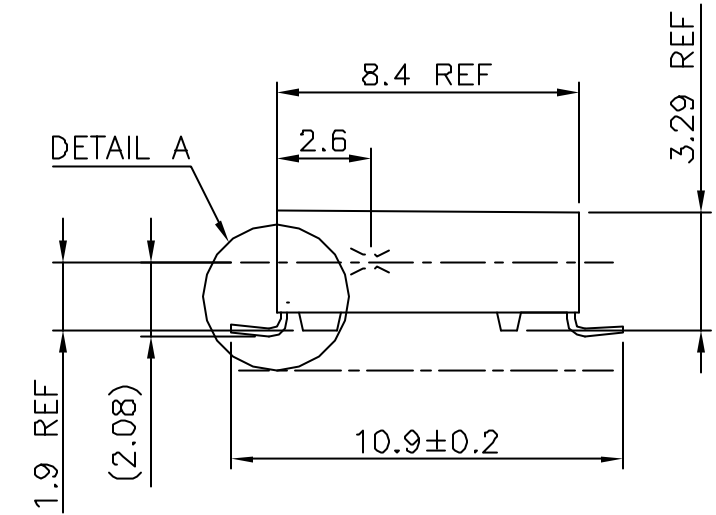
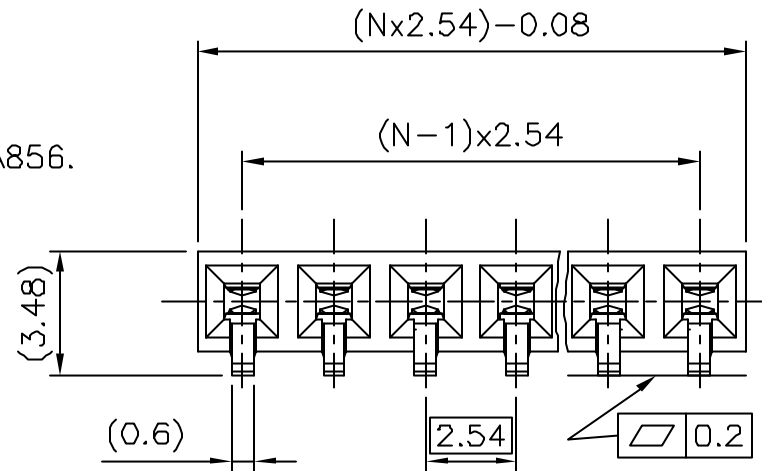
OPTIONAL LETTER
A: PRODUCT PACKED IN TAPE & REEL, SEE TA856.

NUMBER OF POSITIONS: 02 TO 40.

PLATING CODE

- 3= 0.76µm GOLD ON CONTACT AREA.
3.81µm TIN-LEAD ON TAIL.
- 4= 5µm TIN-LEAD ON CONTACT AREA.
3.81µm TIN-LEAD ON TAIL.
- 8= 0.38µm GOLD ON CONTACT AREA.
3.81µm TIN-LEAD ON TAIL.

WHEN SUFFIX "LF" IS REQUIRED, 2µm MIN MATTE
TIN OVER 1.27 MIN Ni IS SUPPLIED INSTEAD OF SnPb.



NOTES:

- 1 - HOUSING MAT'L: THERMOPLASTIC GLASS FILLED
FLAME RETARDANT PER UL 94 V-0 COLOR: GREY.
- 2 - TERMINAL MATERIAL: PHOSPHOR BRONZE.
- 3 - 2 UP TO 4 POSITIONS PRODUCT PACKED IN PLASTIC
5 UP TO 40 POSITIONS PRODUCT PACKED IN TUBE.
- 4 - TO DETERMINE DIMENSIONS:
N = NUMBER OF POSITIONS
EXAMPLE: 8 POS: (Nx2.54)-0.08=20.24 mm
- 5 - RECOMMENDED IR PROFIL PER TA 842.
- 6 - RoHS COMPATIBLE PRODUCT SPECIFICATIONS

a - PLATING:

- "LF" MEANS THE PRODUCT IS LEAD-FREE,
2µm MINIMUM MATTE TIN OVER 1.27µm
MINIMUM NICKEL UNDERPLATE.

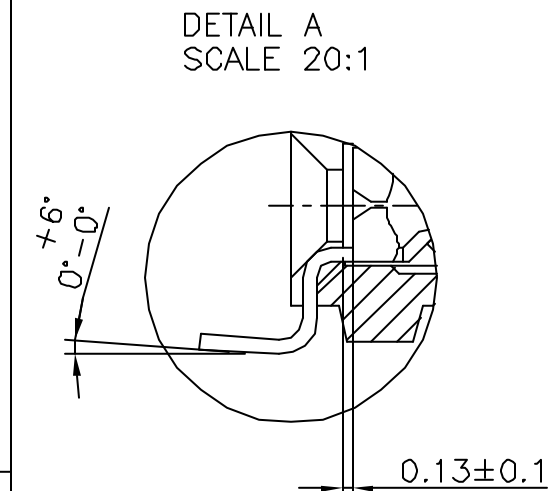
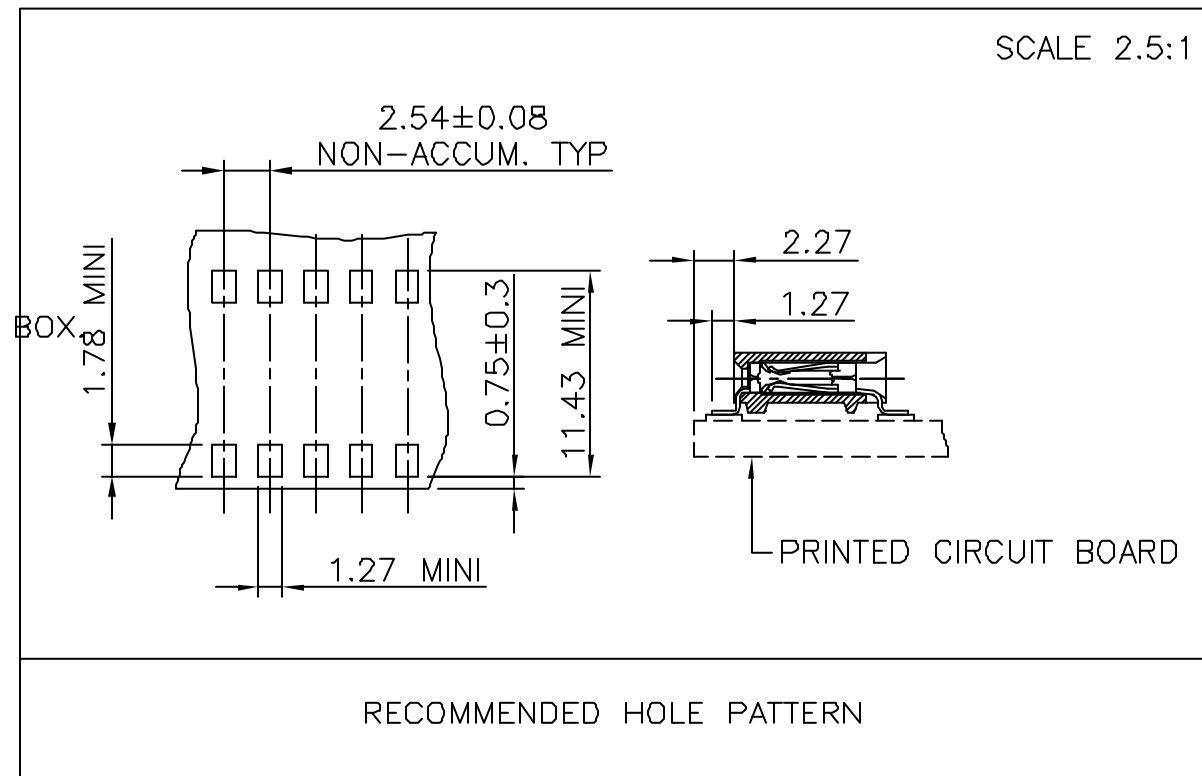
b - MANUFACTURING PROCESS COMPATIBILITY

- THE HOUSING WILL WITHSTAND EXPOSURE TO
260°C PEAK TEMPERATURE FOR 30 SECONDS
MAX IN A CONVECTION, INFRA-RED OR VAPOR
PHASE OR REFLOW OVEN.

c - LABELING:

- MEETS PACKAGING SPECS AS PER GS-14-920

d - LEGAL STATEMENT: SEE GS-22-008



| | | | | | | | | | |
|---------------------------|----------|-----------------------|----------|---------------------------------------|------------|------------------|-----|--------------------------------------|--|
| mat'l. code SEE NOTE 1 | | surface ISO 1302 ✓ | | tolerance ISO 406 ISO 1101 | | projection mm | | product family DUBOX | |
| ltr | ecn no | dr | date | tolerances unless otherwise specified | | mm | | title BtB RECEPT. HORIZ SR SMT | |
| T | F04-0347 | DLE | 04.11.08 | angles | linear | ±0.3 | | dwg no 71607 | |
| U | F06-0204 | DLE | 06.06.10 | ±2° | | scale 10:1 | | sheet 1 of 1 size A3 | |
| sheet index | | revision sheet | | dr | P.NIZZI | 94.03.21 | FCJ | type CUSTOMER Drawing | |
| | | | | enr | P NIZZI | 99.06.08 | | | |
| | | | | chr | JF NOTTEAU | 97.05.13 | | | |
| | | | | appd | PNZ | 99.06.08 | | | |