



22MM METAL ROUND ACTUATOR: SELECTOR SWITCH HEAVY DUTY RIGHT LATCH.,LE.MOMEN.CONT.TYPE 3 SWITCH POSITIONS I-O-II NON-ILLUMINATED WITH HOLDER BLACK SOLVENT-RESISTANT

Actuator / signaling device:		
Design of the product		Single device round
Design of the operating mechanism		selector switch
External diameter / of the activation element	mm	28.5
Type of unlocking device		rotate-to-unlatch mechanism
Color / of the activation element		black
Material / of the activation element		plastic
Number of switching positions		3
Actuating angle		
• clockwise	°	50
• anticlockwise	°	50
Product component / front ring		Yes
Material / of the front ring		metal
Color / of the front ring		silver
Design of front ring		Standard
Product function / EMERGENCY STOP function		No

General technical details:		
Resistance against shock		

• for devices without incandescent lamp / according to IEC 60068-2-27		<= 50g
<b>Resistance against vibration / according to IEC 60068-2-6</b>		20 ... 200 Hz: 5g
<b>Operating cycles / maximum</b>	1/h	1,000
<b>Mechanical operating cycles as operating time / typical</b>		300,000
<b>Product extension / optional / fluorescent materials</b>		No
<b>Item designation</b>		S
• according to DIN EN 61346-2		S
• according to DIN 40719 extendable after IEC 204-2 / according to IEC 750		S
<b>Tightening torque / of the screws in the bracket / maximum</b>	N-m	1
<b>Ambient temperature</b>		
• during operating	°C	-25 ... +70
• during storage	°C	-40 ... +80
<b>Protection class IP</b>		IP67
<b>climatic class / during the operating phase / according to EN 60721</b>		3K6
<b>Type of mounting</b>		front mounting
<b>Shape / of the installation hole</b>		round
<b>Installation width</b>	mm	28.5
<b>Mounting diameter</b>	mm	22
<b>Mounting height</b>	mm	28
<b>Mounting depth</b>	mm	29

#### Certificates/approvals:

##### General Product Approval



##### Test Certificates

[Special Test Certificate](#)

##### Shipping Approval



##### other

[Confirmation](#)

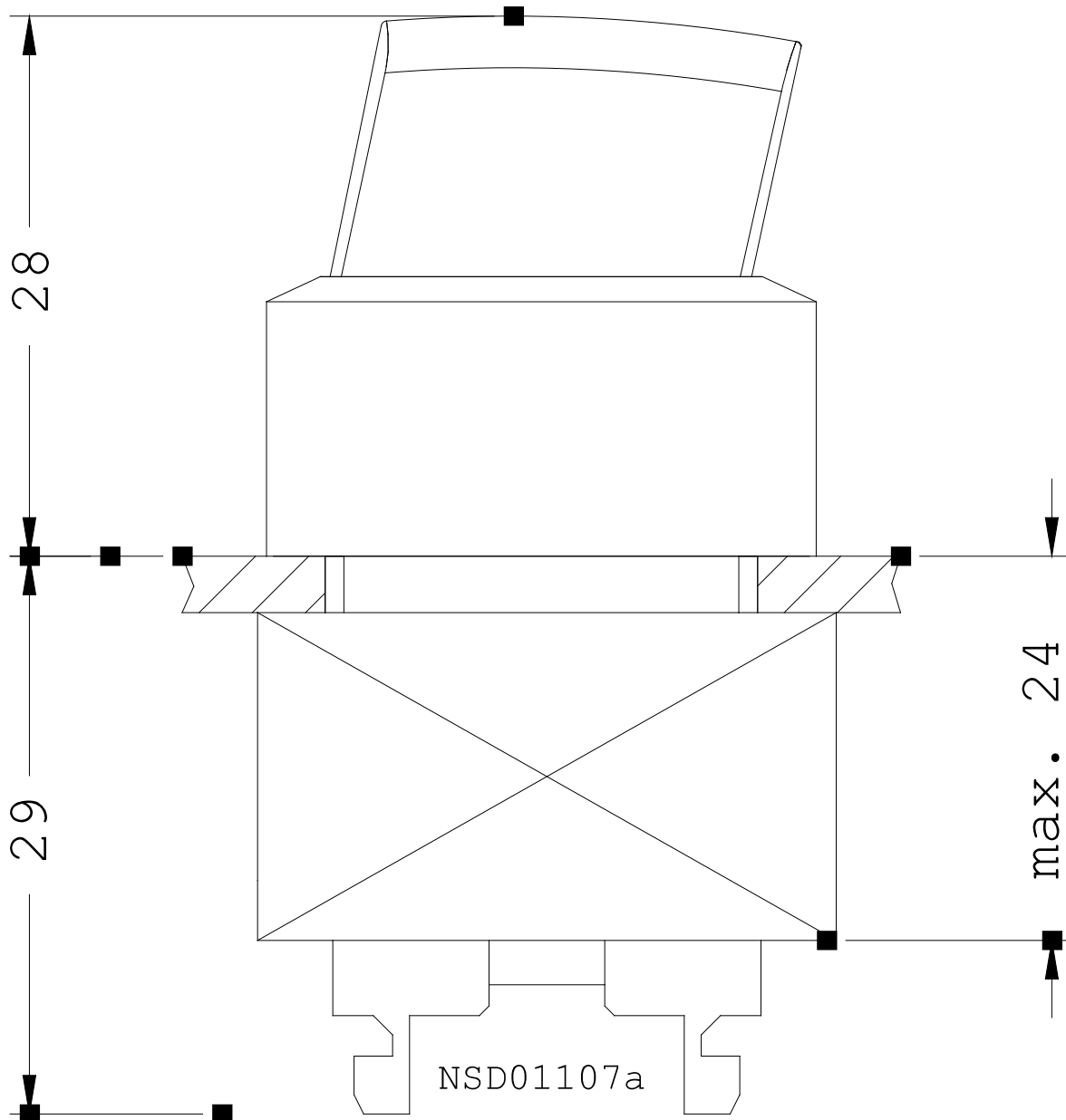
[other](#)



#### Further information:

Information- and Downloadcenter (Catalogs, Brochures,...)

<http://www.siemens.com/industrial-controls/catalogs>



last change:

Jul 17, 2012