



22MM PLASTIC ROUND COMPLETE UNIT  
 COMBINATION: ILLUMINATED PUSHBUTTON  
 MOMENTARY CONTACT TYPE WITH FLAT BUTTON  
 ILLUMINATED WITH INTEGRATED LED 24V AC/DC  
 SCREW TERMINAL,  
 1NO+1NC WITH HOLDER RED

Actuator / signaling device:	
Design of the operating mechanism	Illuminated pushbutton
Type of unlocking device	without
Color / of the activation element	Red
Material / of the activation element	plastic
Shape / of the activation element	Flat pushbutton
Number of switching positions	2
Product component / front ring	Yes
Material / of the front ring	plastic
Color / of the front ring	black
Design of front ring	Standard
Product function / EMERGENCY STOP function	No

Contact block / lampholder	
Design of the electrical connection	screw-type terminals
Number of switching elements	1
Number of NC contacts / for auxiliary contacts	1
Number of NO contacts / for auxiliary contacts	1
Number of change-over switches / for auxiliary contacts	0
Product function / positive opening	Yes

<b>Number of lampholders</b>		1
<b>Execution of the mounting</b>		integrated LED
<b>Product component / fluorescent materials</b>		Yes
<b>Product extension / optional / fluorescent materials</b>		Yes

#### Accessories:

<b>Product component / holder for 3 switching elements</b>		Yes
--	--	-----

#### General technical details:

##### Type of voltage / of the supply voltage / of the fluorescent material

• of the fluorescent material / at 60 Hz / for AC / rated value	V	24
• of the fluorescent material / at 50 Hz / for AC / rated value	V	24
• of the fluorescent material / for DC / rated value	V	24

##### Type of voltage / of the operating voltage

AC/DC

##### Operating voltage / rated value

• minimum	V	19
• maximum	V	30

##### Operating current

• at AC-12		
• at 24 V / rated value	A	10
• at 48 V / rated value	A	10
• at 110 V / rated value	A	10
• at 230 V / rated value	A	10
• at 400 V / rated value	A	10
• at AC-15		
• at 24 V / rated value	A	6
• at 48 V / rated value	A	6
• at 110 V / rated value	A	6
• at 230 V / rated value	A	6
• at 400 V / rated value	A	3
• at DC-12		
• at 24 V / rated value	A	10
• at 48 V / rated value	A	5
• at 110 V / rated value	A	2.5
• at 230 V / rated value	A	1
• at DC-13		
• at 24 V / rated value	A	3
• at 48 V / rated value	A	1.5
• at 110 V / rated value	A	0.7
• at 230 V / rated value	A	0.3

<b>Resistance against shock</b> • for devices without incandescent lamp / according to IEC 60068-2-27		<= 50g
<b>Resistance against vibration / according to IEC 60068-2-6</b>		20 ... 200 Hz: 5g
<b>Operating cycles / maximum</b>	1/h	1,000
<b>Mechanical operating cycles as operating time / typical</b>		3,000,000
<b>Item designation</b> • according to DIN EN 61346-2 • according to DIN 40719 extendable after IEC 204-2 / according to IEC 750		S S
<b>Tightening torque / of the screws in the bracket / maximum</b>	N·m	1
<b>Ambient temperature</b> • during operating • during storage	°C °C	-25 ... +70 -40 ... +80
<b>Protection class IP</b>		IP66
<b>climatic class / during the operating phase / according to EN 60721</b>		3K6
<b>Type of mounting</b>		front mounting
<b>Shape / of the installation hole</b>		round
<b>Installation width</b>	mm	28.5
<b>Mounting diameter</b>	mm	22
<b>Mounting height</b>	mm	8
<b>Mounting depth</b>	mm	63

#### Certificates/approvals:

##### General Product Approval



CCC



CSA



GOST



UL



EG-Konf.

##### Test Certificates

[Special Test Certificate](#)

##### Shipping Approval



ABS



BUREAU  
VERITAS



DNV



LRS



PRS



RINA

##### other

[Confirmation](#)

[other](#)

[Environmental Confirmations](#)

#### Further information:

**Information- and Downloadcenter (Catalogs, Brochures,...)**

<http://www.siemens.com/industrial-controls/catalogs>

---

Industry Mall (Online ordering system)

<http://www.siemens.com/industrial-controls/mall>

---

Cax online generator:

<http://www.siemens.com/cax>

---

Service&Support (Manuals, Certificates, Characteristics, FAQs,...)

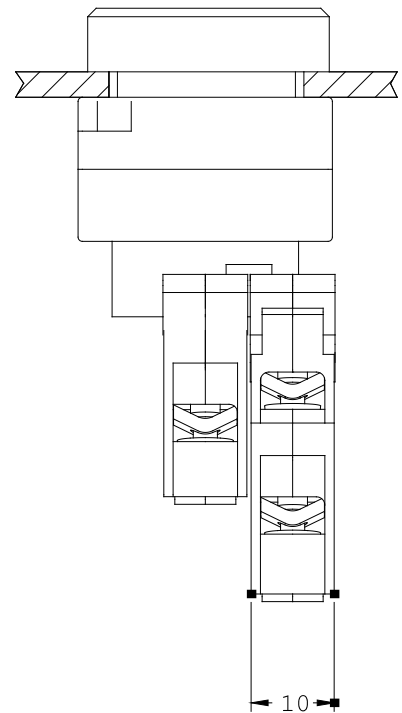
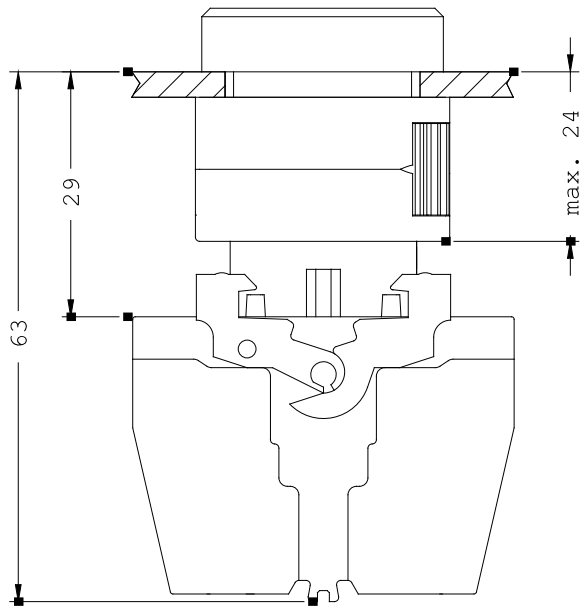
<http://support.automation.siemens.com/WW/view/en/3SB3247-0AA21/all>

---

Image database (product images, 2D dimension drawings, 3D models, device circuit diagrams, ...)

[http://www.automation.siemens.com/bilddb/cax\\_en.aspx?mlfb=3SB3247-0AA21](http://www.automation.siemens.com/bilddb/cax_en.aspx?mlfb=3SB3247-0AA21)

---



last change:

Jul 17, 2012