



22MM PLASTIC ROUND COMPLETE UNIT
COMBINATION: PUSHBUTTON WITH FLAT BUTTON
SCREW TERMINAL,
1NO+1NC WITH HOLDER GREEN

Actuator / signaling device:

| | |
|--|-----------------|
| Design of the operating mechanism | Pushbutton |
| Type of unlocking device | without |
| Color / of the activation element | Green |
| Material / of the activation element | plastic |
| Shape / of the activation element | Flat pushbutton |
| Number of switching positions | 2 |
| Product component / front ring | Yes |
| Material / of the front ring | plastic |
| Color / of the front ring | black |
| Design of front ring | Standard |
| Product function / EMERGENCY STOP function | No |

Contact block / lampholder

| | |
|---|----------------------|
| Design of the electrical connection | screw-type terminals |
| Number of switching elements | 1 |
| Number of NC contacts / for auxiliary contacts | 1 |
| Number of NO contacts / for auxiliary contacts | 1 |
| Number of change-over switches / for auxiliary contacts | 0 |
| Product function / positive opening | Yes |

| | | |
|---|--|----|
| Number of lampholders | | 0 |
| Product component / fluorescent materials | | No |
| Product extension / optional / fluorescent materials | | No |

Accessories:

Product component / holder for 3 switching elements

No

General technical details:

Type of voltage / of the operating voltage

AC/DC

Operating voltage / rated value

- minimum
- maximum

| | |
|---|-----|
| V | 5 |
| V | 400 |

Operating current

- at AC-12
 - at 24 V / rated value
 - at 48 V / rated value
 - at 110 V / rated value
 - at 230 V / rated value
 - at 400 V / rated value
- at AC-15
 - at 24 V / rated value
 - at 48 V / rated value
 - at 110 V / rated value
 - at 230 V / rated value
 - at 400 V / rated value
- at DC-12
 - at 24 V / rated value
 - at 48 V / rated value
 - at 110 V / rated value
 - at 230 V / rated value
- at DC-13
 - at 24 V / rated value
 - at 48 V / rated value
 - at 110 V / rated value
 - at 230 V / rated value

| | |
|---|-----|
| A | 10 |
| A | 10 |
| A | 10 |
| A | 10 |
| A | 10 |
| A | 6 |
| A | 6 |
| A | 6 |
| A | 6 |
| A | 3 |
| A | 10 |
| A | 5 |
| A | 2.5 |
| A | 1 |
| A | 3 |
| A | 1.5 |
| A | 0.7 |
| A | 0.3 |

Resistance against shock

- for devices without incandescent lamp / according to IEC 60068-2-27

<= 50g

Resistance against vibration / according to IEC 60068-2-6

20 ... 200 Hz: 5g

Operating cycles / maximum

| | |
|-----|-------|
| 1/h | 1,000 |
|-----|-------|

Mechanical operating cycles as operating time / typical

10,000,000

| | | |
|---|----------|----------------------------|
| Item designation | | |
| <ul style="list-style-type: none"> • according to DIN EN 61346-2 • according to DIN 40719 extendable after IEC 204-2 / according to IEC 750 | | S S |
| Tightening torque / of the screws in the bracket / maximum | N-m | 1 |
| Ambient temperature | | |
| <ul style="list-style-type: none"> • during operating • during storage | °C °C | -25 ... +70 -40 ... +80 |
| Protection class IP | | IP66 |
| climatic class / during the operating phase / according to EN 60721 | | 3K6 |
| Type of mounting | | front mounting |
| Shape / of the installation hole | | round |
| Installation width | mm | 28.5 |
| Mounting diameter | mm | 22 |
| Mounting height | mm | 8 |
| Mounting depth | mm | 63 |

Certificates/approvals:

General Product Approval



CCC



CSA



GOST



UL



EG-Konf.

Test Certificates

[Special Test Certificate](#)

Shipping Approval



ABS



BUREAU
VERITAS



DNV



LRS



PRS



RINA

other

[Confirmation](#)

[other](#)

[Environmental Confirmations](#)

Further information:

Information- and Downloadcenter (Catalogs, Brochures,...)

<http://www.siemens.com/industrial-controls/catalogs>

Industry Mall (Online ordering system)

<http://www.siemens.com/industrial-controls/mall>

Cax online generator:

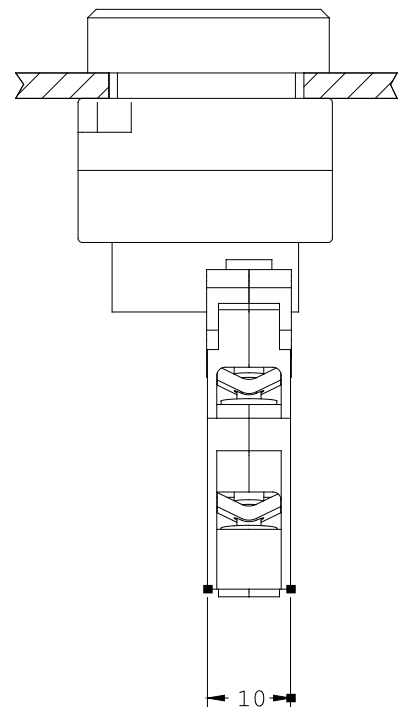
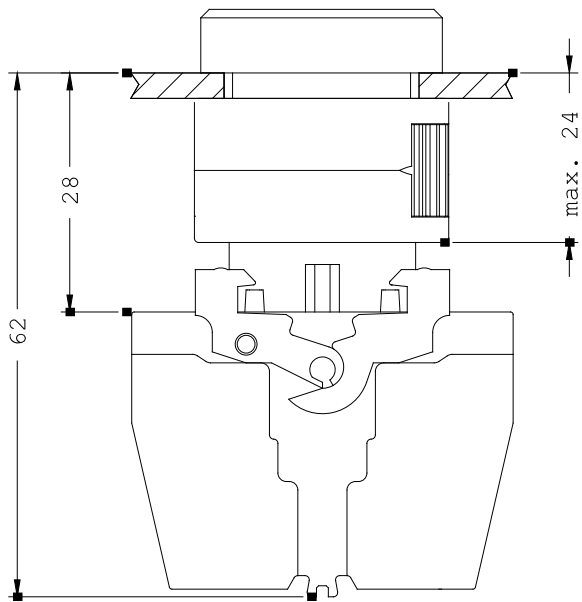
<http://www.siemens.com/cax>

Service&Support (Manuals, Certificates, Characteristics, FAQs,...)

<http://support.automation.siemens.com/WW/view/en/3SB3201-0AA41/all>

Image database (product images, 2D dimension drawings, 3D models, device circuit diagrams, ...)

http://www.automation.siemens.com/bilddb/cax_en.aspx?mlfb=3SB3201-0AA41



last change:

Jul 17, 2012