

**3SB3000-2FA11** PLASTIC, ROUND, 2X50 DEGR., 3 POS. BLACK

Technical / CAx data

- Technical Data  CAx data

22MM PLASTIC ROUND ACTUATOR: SELECTOR SWITCH  
3 SWITCH POSITIONS I-O-II LEFT  
LATCH.,RI.MOMEN.CONT.TYPE NON-ILLUMINATED WITH  
HOLDER BLACK

Actuator / signaling device:	
Design of the operating mechanism	selector switch
Type of unlocking device	rotate-to-unlatch mechanism
Color / of the activation element	black
Material / of the activation element	plastic
Number of switching positions	3
Actuating angle	
• clockwise	° 50
• anticlockwise	° 50
Product component / front ring	Yes
Material / of the front ring	plastic
Color / of the front ring	black
Design of front ring	Standard
Product function / EMERGENCY STOP function	No

Holder:	
Material / of holder	Plastic

General technical details:		
Resistance against shock		<= 50g
• for devices without incandescent lamp / according to IEC 60068-2-27		
Resistance against vibration / according to IEC 60068-2-6	1/h	20 ... 200 Hz: 5g
Operating cycles / maximum		1,000
Mechanical operating cycles as operating time / typical		300,000
Item designation		S
• according to DIN EN 61346-2		S
• according to DIN 40719 extendable after IEC 204-2 / according to IEC 750		
Tightening torque / of the screws in the bracket / maximum	N·m	1
Ambient temperature		
• during operating	°C	-25...+70
• during storage	°C	-40...+80
Protection class IP		IP66
climatic class / during the operating phase / according to EN 60721		3K6
Type of mounting		front mounting
Shape / of the installation hole		round
Installation width	mm	28.5
Mounting diameter	mm	22
Mounting height	mm	24
Mounting depth	mm	29

Certificates/approvals:

General Product Approval			Test Certificates		
<input checked="" type="checkbox"/> CSA	<input checked="" type="checkbox"/> GOST	<input checked="" type="checkbox"/> UL	Special Test Certificate		
Shipping Approval					
<input checked="" type="checkbox"/> ABS (America)	<input checked="" type="checkbox"/> BV / Bureau Veritas	<input checked="" type="checkbox"/> DNV / Det Norske Veritas	<input checked="" type="checkbox"/> LRS / Lloyds Register	<input checked="" type="checkbox"/> PRS / Polski Register	<input checked="" type="checkbox"/> RINA / Registro Italiano Navale
other					
Confirmation	other	<input checked="" type="checkbox"/> Environmental			

**Further information:**

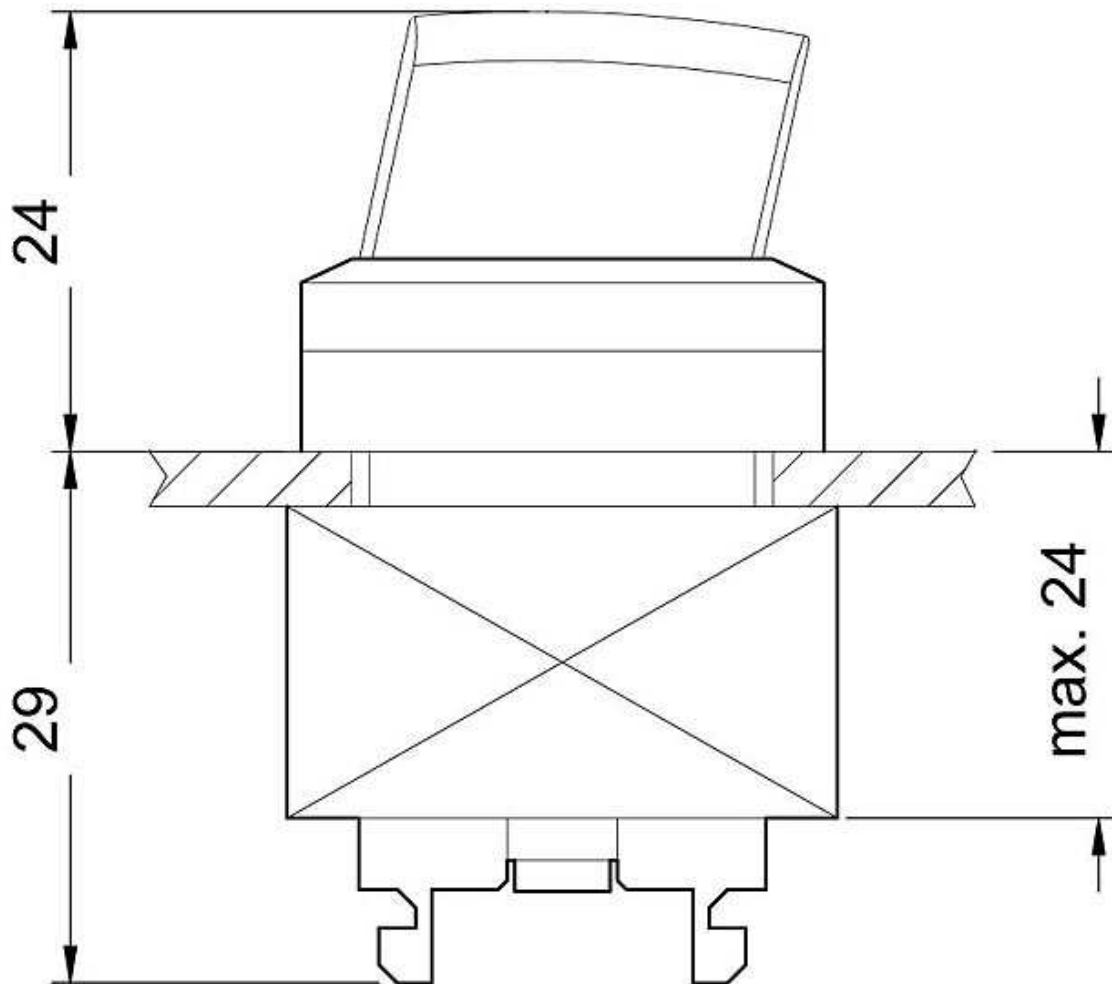
**Information- and Downloadcenter (Catalogs, Brochures,...)**  
<http://www.siemens.com/industrial-controls/catalogs>

**Industry Mall (Online ordering system)**  
<http://www.siemens.com/industrial-controls/mall>

**Cax online generator:**  
<http://www.siemens.com/cax>

**Service&Support (Manuals, Certificates, Characteristics, FAQs,...)**  
<http://support.automation.siemens.com/WW/view/en/3SB3000-2FA11/all>

**Image database (product images, 2D dimension drawings, 3D models, device circuit diagrams, ...)**  
[http://www.automation.siemens.com/bilddb/cax\\_en.aspx?mlfb=3SB3000-2FA11](http://www.automation.siemens.com/bilddb/cax_en.aspx?mlfb=3SB3000-2FA11)



**last change:**

Jul 17, 2012

---

© Siemens AG 2012 - Corporate Information - Privacy Policy - Terms of Use