

M8 Actuator/Sensor Distribution Boxes

SBS 4/LED 3

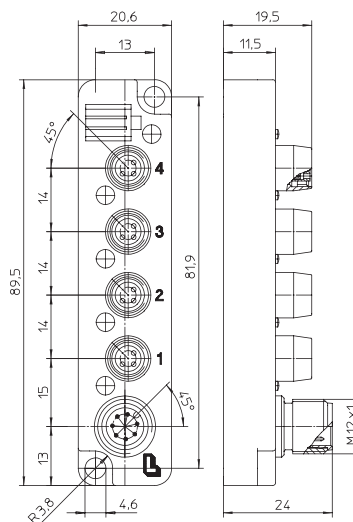


4-Ports (LED)

Pluggable miniature actuator/sensor distribution box with LED operation and function indicators, top-entry, 4-ports, M8 socket, 3-poles, 1 signal per socket, M12 connection for the control cable.

– control cable type: RKT 8-6-337 or RKWT 8-6-337 –

4-Ports

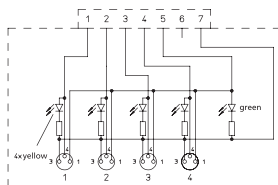
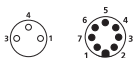


Pin Assignments

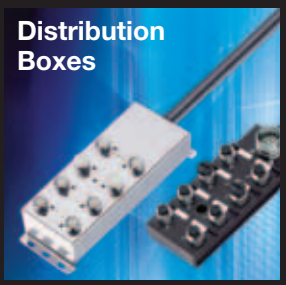
M8 / M12

Wiring Diagrams

4-Ports



- 1 = 5 (+)
- 3 = 7 (-)
- 4 = 1 (1)
- 2 (2)
- 3 (3)
- 4 (4)



Be Certain with Belden

M8 Actuator/Sensor Distribution Boxes

SBS 4/LED 3

Technical Data

Environmental

Degree of protection IP 67 / NEMA 6P
 Operating temperature range -15°C (+5°F) / +90°C (+194°F)

Mechanical



Housing TPU, self-extinguishing
 Insert **M8:** TPU, self-extinguishing
M12: PA
 Contact CuSn, pre-nickel and 0.8 microns gold-plated
 Receptacle shell Brass, nickel-plated
 O-ring FKM

Electrical

Contact resistance $\leq 5m\Omega$
 Voltage rating 10-30 V DC
 Current rating 2 A per port / 2 A max. total

Accessories (included)

ZVKM 2 dust covers for unused sockets
 1 attachable label

| Part Number | Ports | Mating Cordsets | Mating Control Cable | Characteristics |
|-------------|-------|-------------------------|-----------------------------|---|
| SBS 4/LED 3 | 4 | RSMV 3... or RSMWV 3... | RKT 8-6-337 or RKWT 8-6-337 |   |