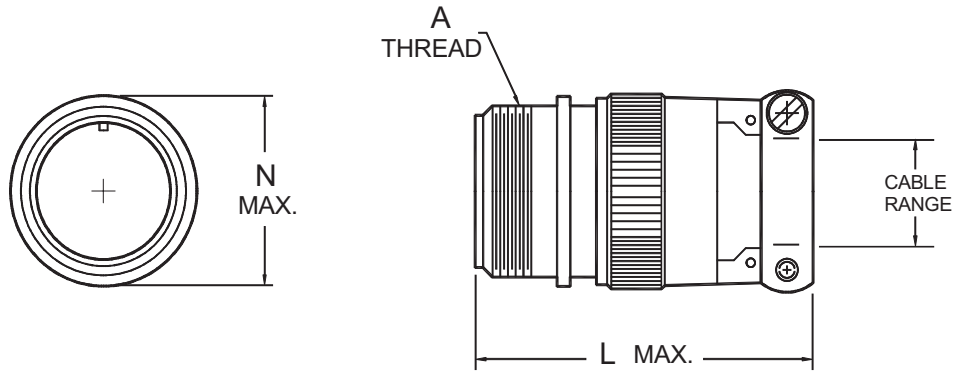


IN-LINE RECEPTACLE

MS3101E, MS3101F



MS3101E One (1) piece backshell, environmental, with grommet

MS3101F One (1) piece backshell, environmental, with grommet®

SHELL SIZE	A COUPLING THREAD CLASS 2A	L MAX.	N MAX.	CABLE RANGE	
				OPEN	CLOSED
8S	1/2-28 UNEF	2.250 [57.15]	.844 [21.44]	.250 [6.35]	.125 [3.18]
10S	5/8-24 UNEF	2.250 [57.15]	.969 [24.61]	.250 [6.35]	.125 [3.18]
10SL	5/8-24 UNEF	2.250 [57.15]	1.062 [26.97]	.312 [7.92]	.125 [3.18]
12	3/4-20 UNEF	2.625 [66.67]	1.062 [26.97]	.312 [7.92]	.125 [3.18]
12S	3/4-20 UNEF	2.250 [57.15]	1.062 [26.97]	.312 [7.92]	.125 [3.18]
14	7/8-20 UNEF	2.625 [66.67]	1.156 [29.36]	.438 [11.13]	.250 [6.35]
14S	7/8-20 UNEF	2.250 [57.15]	1.156 [29.36]	.438 [11.13]	.250 [6.35]
16	1-20 UNEF	2.625 [66.67]	1.281 [32.54]	.562 [14.27]	.312 [7.92]
16S	1-20 UNEF	2.250 [57.15]	1.281 [32.54]	.562 [14.27]	.312 [7.92]
18	1 1/8-18 UNEF	2.688 [68.28]	1.344 [34.14]	.625 [15.88]	.350 [8.89]
20	1 1/4-18 UNEF	2.750 [69.85]	1.500 [38.10]	.750 [19.05]	.500 [12.70]
22	1 3/8-18 UNEF	2.750 [69.85]	1.625 [41.27]	.750 [19.05]	.500 [12.70]
24	1 1/2-18 UNEF	2.969 [75.41]	1.750 [44.45]	.938 [23.83]	.625 [15.88]
28	1 3/4-18 UNS	3.031 [76.99]	2.000 [50.80]	.938 [23.83]	.625 [15.88]
32	2-18 UNS	3.031 [76.99]	2.250 [57.15]	1.250 [31.75]	.875 [22.23]
36	2 1/4-16 UN	3.281 [83.34]	2.500 [63.50]	1.375 [34.93]	1.000 [25.40]
40	2 1/2-16 UN	3.500 [88.90]	2.750 [69.85]	1.625 [41.28]	1.250 [31.75]

Dimensions in brackets [] are in millimeters.

⊙ Plug has "O" ring under coupling nut.