

**89055-111LF - METRAL® : 5
Row Shroud, Wide Body**



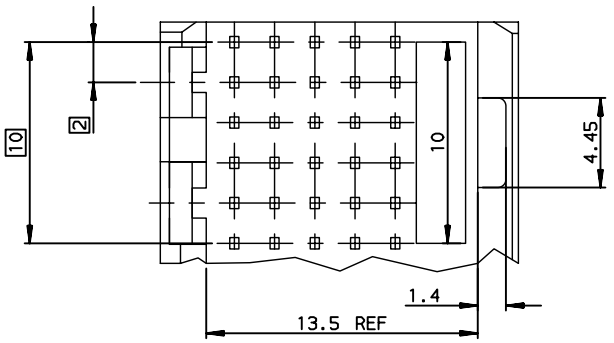
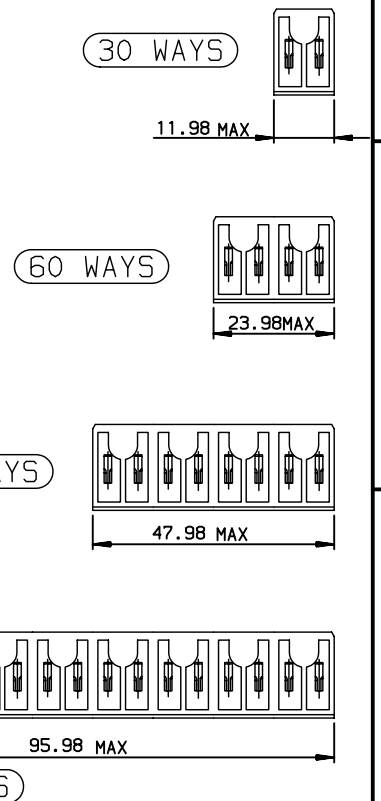
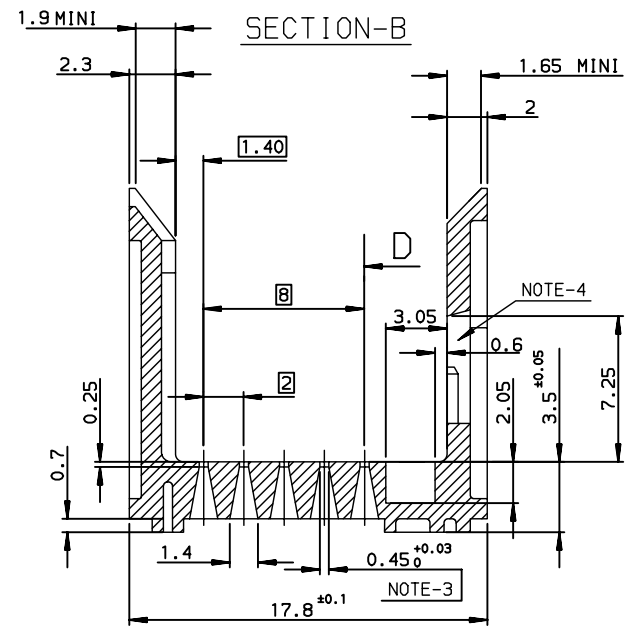
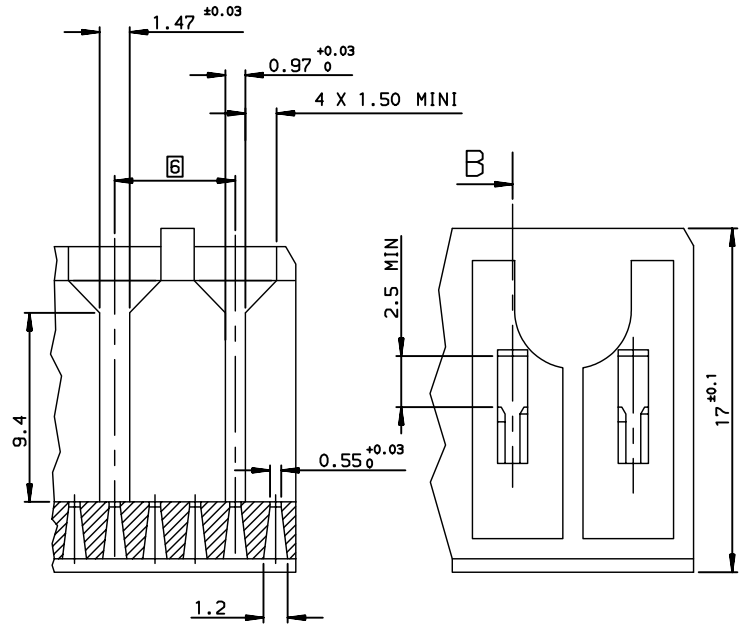
www.fci.com

Specifications

General	
Contact type	Signal
Housing Style	Wide Body
Number of contacts (per row)	6
Number of contacts (Total)	30
Number of rows	5
Orientation	Straight
Product Series	Standard
Product Type	Shroud
Termination Style	Press-Fit
Rear Plug Up	Yes
Dimensional	
Height (Above board)	17.1 mm (0.637 in.)
Standoff height	3.5 mm (0.138 in.)
Electrical	
Resistance (Insulation)	1000 M-ohms
Voltage rating	1000V rms
Mechanical	
Durability (Mating cycles)	250
Insertion force	11N max. per Contact
Retention force	2N min. per Contact
Mounting	
Solder process	Wave IR Vapor - Phase
Termination	Board
Physical	
Color (Housing)	Natural
Material (Housing)	Glass - Filled LCP
Temperature (Range)	-55°C to +105°C
Approvals / Certifications	
Approvals / Certifications	UL and CSA Approved
Other Features	

Packaging (Type)	Box
Literature	950511-001

REDUCED SCALE SHEET



NB OF WAY	PART NUMBERS	COMMENTS
30	HM13216LF OR 89055-111LF	RoHS COMPATBLE VERSION
60	HM13217LF OR 89055-112LF	RoHS COMPATBLE VERSION
120	HM13218LF OR 89055-113LF	RoHS COMPATBLE VERSION
240	HM13219LF OR 89055-114LF	RoHS COMPATBLE VERSION

NOTE-1: OTHER DIMENSIONS IN ACCORDANCE WITH IEC-48B-(S.296) SPECIFICATION
 NOTE-2: MATERIAL LCP NATURAL COLOUR
 NOTE-3: FORCE FIT CAVITIES FOR RETENTION WITH REAR PLUG-UP CONTACT PART
 NOTE-4: CAVITY FOR LATCHING AND CODING

NOTE:RoHS INFORMATIONS

- The "LF" product meets European union Directives and other country regulations as described in 65-22-008.
- The product is not intended to be exposed to a manufacturing solder process.
- Packaging spec: see 65-14-920.

rev	ecn no	dr	date
L	-	TAR	2005/10/01
M	LS06-0114	LGO	2006/08/14
N	LS07-0249	JT	2007/10/08
-	-	-	-
-	-	-	-
-	-	-	-

www.fciconnect.com		surface ISO 1302 ✓	tolerance std ISO 406 ISO 1101	projection mm
TOLERANCES UNLESS OTHERWISE SPECIFIED				
Dr	PERRICHOT	2002/08/21	ANGULAR	0.X ±0.1
Eng	TARON	2002/08/21	LINEAR	0.XX ±0.1
Chr	LEGARE	2002/08/21	0.XX' ±2'	0.XXX ±0.1
Appr	LEGARE	2002/08/21	Product family	---
title WIDE BODY STAND-OFF 3.5mm			size A3	Scale 4
catalog no			ECN LS07-0249	Spec ref -
FCj			dwg no 89055	Rev. N
			CUSTOMER	sheet 1 of 1

Copyright FCj.