



22MM PLASTIC ROUND COMPLETE UNIT
COMBINATION: PUSHBUTTON WITH FLAT BUTTON
SCREW TERMINAL,
1NO+1NC WITH HOLDER YELLOW

Actuator / signaling device:

Design of the operating mechanism	Pushbutton
Type of unlocking device	without
Color / of the activation element	Yellow
Material / of the activation element	plastic
Shape / of the activation element	Flat pushbutton
Number of switching positions	2
Product component / front ring	Yes
Material / of the front ring	plastic
Color / of the front ring	black
Design of front ring	Standard
Product function / EMERGENCY STOP function	No

Contact block / lampholder

Design of the electrical connection	screw-type terminals
Number of switching elements	1
Number of NC contacts / for auxiliary contacts	1
Number of NO contacts / for auxiliary contacts	1
Number of change-over switches / for auxiliary contacts	0
Product function / positive opening	Yes

Number of lampholders		0
Product component / fluorescent materials		No
Product extension / optional / fluorescent materials		No

Accessories:

Product component / holder for 3 switching elements

No

General technical details:

Type of voltage / of the operating voltage

AC/DC

Operating voltage / rated value

- minimum
- maximum

V	5
V	400

Operating current

- at AC-12
 - at 24 V / rated value
 - at 48 V / rated value
 - at 110 V / rated value
 - at 230 V / rated value
 - at 400 V / rated value
- at AC-15
 - at 24 V / rated value
 - at 48 V / rated value
 - at 110 V / rated value
 - at 230 V / rated value
 - at 400 V / rated value
- at DC-12
 - at 24 V / rated value
 - at 48 V / rated value
 - at 110 V / rated value
 - at 230 V / rated value
- at DC-13
 - at 24 V / rated value
 - at 48 V / rated value
 - at 110 V / rated value
 - at 230 V / rated value

A	10
A	10
A	10
A	10
A	10
A	6
A	6
A	6
A	6
A	3
A	10
A	5
A	2.5
A	1
A	3
A	1.5
A	0.7
A	0.3

Resistance against shock

- for devices without incandescent lamp / according to IEC 60068-2-27

<= 50g

Resistance against vibration / according to IEC 60068-2-6

20 ... 200 Hz: 5g

Operating cycles / maximum

1/h	1,000
-----	-------

Mechanical operating cycles as operating time / typical

10,000,000

Item designation		S
<ul style="list-style-type: none"> • according to DIN EN 61346-2 • according to DIN 40719 extendable after IEC 204-2 / according to IEC 750 		S
Tightening torque / of the screws in the bracket / maximum	N-m	1
Ambient temperature		
<ul style="list-style-type: none"> • during operating • during storage 	°C	-25 ... +70
	°C	-40 ... +80
Protection class IP		IP66
climatic class / during the operating phase / according to EN 60721		3K6
Type of mounting		front mounting
Shape / of the installation hole		round
Installation width	mm	28.5
Mounting diameter	mm	22
Mounting height	mm	8
Mounting depth	mm	63

Certificates/approvals:

General Product Approval



CCC



CSA



GOST



UL



EG-Konf.

Test Certificates

[Special Test Certificate](#)

Shipping Approval



ABS



BUREAU
VERITAS



DNV



LRS



PRS



RINA

other

[Confirmation](#)

[other](#)



UL

Further information:

Information- and Downloadcenter (Catalogs, Brochures,...)

<http://www.siemens.com/industrial-controls/catalogs>

Industry Mall (Online ordering system)

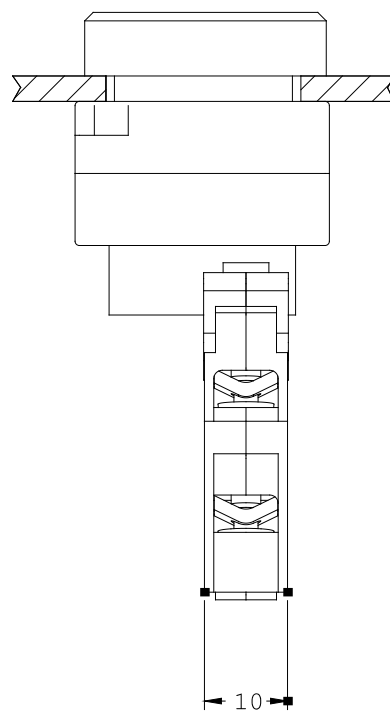
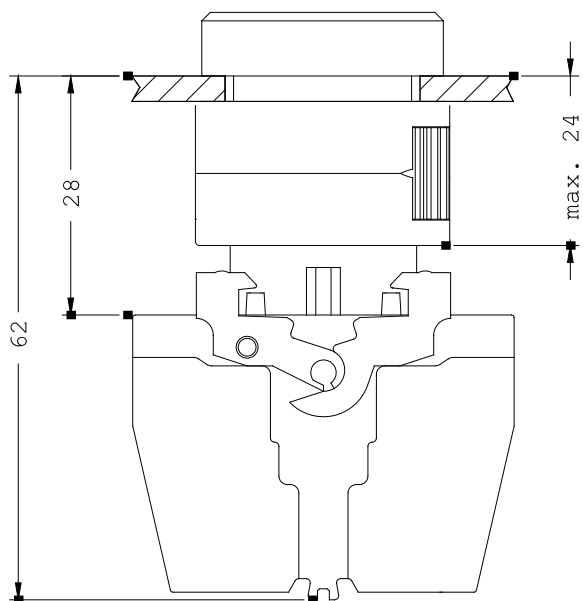
<http://www.siemens.com/industrial-controls/mall>

Cax online generator:

<http://www.siemens.com/cax>

Service&Support (Manuals, Certificates, Characteristics, FAQs,...)

<http://support.automation.siemens.com/WW/view/en/3SB3201-0AA31/all>



last change:

Jul 17, 2012