

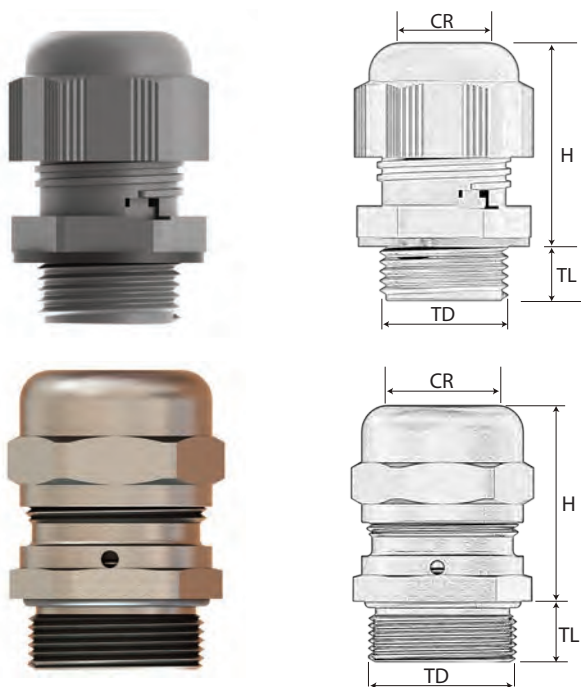
# Ventilation Plugs

## VG Vent PA6 / NPB

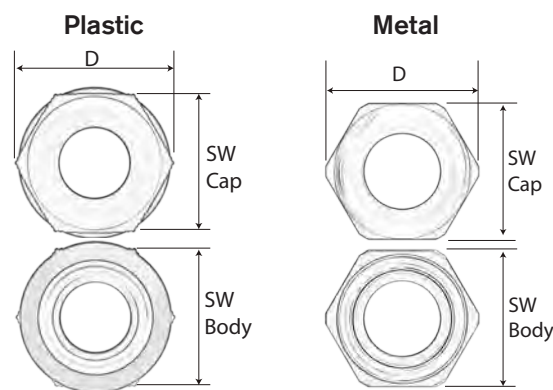
Polyamide vent gland, black or gray / Nickel plated brass vent gland

Metric & PG  
Thread

Vent glands are used to secure a cable and balance the pressure in an enclosure to protect electronic connections from condensation. They are UL approved and chemical resistant. The vent plugs come in black or gray polyamide or nickel plated brass with different air flow ratings.



Technical data:	
<b>Material:</b>	Brass, Nickel Plated or Polyamide 6
<b>Cap:</b>	Brass, Nickel Plated or Polyamide 6
<b>Vent element:</b>	PTFE
<b>Seal:</b>	Chloroprene (CR)
<b>Washer:</b>	Neoprene (NBR)
<b>Protection type:</b>	IP 66/67
<b>Temperature range:</b>	
<i>permanent:</i>	-20°C to +100°C
<i>intermittent:</i>	-30°C to +150°C
<b>Approvals:</b>	cURus, cCSAus, VDE, DNV-GL, CE



Part Number	Average Air Flow	Water Intrusion	Thread Size	Clamping Range		Thread Length	Thread Diameter	Wrenching Flats Cap & Body (SW)	Outer Diameter	max. Height
				(CR)	(CR)					
Gray	Black	l/h	Pressure bar	inches	mm	(TL)	(TD)	inches	(D)	(H)
<b>Plastic Vent Glands</b>										
VGMG-12	VGMB-12	25	0.1	M12x1.5	0.157 - 0.276	4.0 - 7.0	0.315	0.472	0.748	1.114
VGPG-9	VGPB-9	25	0.1	PG 9	0.157 - 0.276	4.0 - 7.0	0.315	0.598	0.748	1.114
VGMG-16	VGMB-16	25	0.1	M16x1.5	0.157 - 0.276	4.0 - 7.0	0.394	0.630	0.748	1.114
VGPG-11	VGPB-11	25	0.1	PG 11	0.157 - 0.276	4.0 - 7.0	0.315	0.732	0.748	1.114
VGMG-20	VGMB-20	40	0.1	M20x1.5	0.236 - 0.433	6.0 - 11.0	0.394	0.787	0.945	1.311
VGPG-13	VGPB-13	40	0.1	PG 13.5	0.236 - 0.433	6.0 - 11.0	0.354	0.803	0.945	1.311
<b>Metal Vent Glands</b>										
VGMM-12		25	0.1	M12x1.5	0.157 - 0.276	4.0 - 7.0	0.315	0.472	0.669	1.280
VGPM-7		25	0.1	PG 7	0.157 - 0.276	4.0 - 7.0	0.315	0.492	0.669	1.280
VGPM-9		25	0.1	PG 9	0.157 - 0.276	4.0 - 7.0	0.315	0.598	0.669	1.142
VGMM-16		25	0.1	M16x1.5	0.157 - 0.276	4.0 - 7.0	0.315	0.630	0.669	1.142
VGMM-16L		35	0.1	M16x1.5	0.197 - 0.354	5.0 - 9.0	0.315	0.630	0.787	1.417
VGPM-11		35	0.1	PG 11	0.197 - 0.354	5.0 - 9.0	0.315	0.732	0.787	1.417
VGMM-20		50	0.1	M20x1.5	0.236 - 0.433	6.0 - 11.0	0.315	0.787	0.866	1.280
VGPM-13		50	0.1	PG 13.5	0.236 - 0.433	6.0 - 11.0	0.354	0.803	0.866	1.280

cCSAus approval for plastic glands only.  
VDE approved for metric threads only



www.sabcable.com  
866-722-2974 ■ info@sabcable.com