





LOW PRESSURE GAUGES

Mechanical Pressure > Low Pressure Gauges > A2G-10, A2G-15

Low Pressure Gauges - air2guide TM

Standard features

- Case : High-impact polycarbonate
- Wetted parts : Silicone rubber, polycarbonate
- Window : Polycarbonate
- Window ring : None
- Dial : White aluminum with blue segment
- Pointer : Black aluminum
- Accuracy : ±3% of span
- Connection: Lower or back mount
- Datasheet : A2G-10, A2G-15

Type	A2G-10		A2G-15			
	LM 	CBM 	LM 	CBM 		
Size	4 1/2"		4 1/2"			
Conn. size	2 x G 1/8 Female		2 x G 1/8 Female			
Mounting	Surface mount	Panel mount	Surface mount		Panel mount	
Elect. output signal	--	--	4 ... 20 mA 2-wire	0 ... 10 V 3-wire	4 ... 20 mA 2-wire	0 ... 10 V 3-wire
-0.1/+0.1" H ₂ O	50677012	50676814	50693522	50693921	50692798	50693166
-0.2/+0.2" H ₂ O	50677039	50676822	50693531	50693930	50692801	50693191
-0.5/+0.5" H ₂ O	50677055	50676831	50693549	50693956	50692810	50693204
0/0.25" H ₂ O	50677063	50676857	50693557	50693964	50692828	50693212
0/0.4" H ₂ O	50677098	50676865	50693565	50693972	50692836	50693221
0/0.5" H ₂ O	50677080	50676873	50693573	50693999	50692844	50693239
0/1" H ₂ O	50556673	50676881	50693581	50694006	50692852	50693247
0/2" H ₂ O	50556681	50676890	50693590	50694022	50692861	50693255
0/3" H ₂ O	50556690	50676903	50693603	50694031	50692879	50693271
0/4" H ₂ O	50556703	40246582	50693611	50694049	50692887	50693280
0/5" H ₂ O	50686178	50676911	50693620	50694057	50692895	50693298
0/6" H ₂ O	50556738	40214583	50693638	50694065	50692909	50693301
0/8" H ₂ O	50556746	50676920	50693646	50694090	50692917	50693310
0/10" H ₂ O	50556754	50676938	50693794	50694103	50692925	50693336
0/12" H ₂ O	40214605	50676946	50693808	50694120	50692933	50693344
0/15" H ₂ O	50556762	40246604	50693816	50694146	50692941	50693361
0/20" H ₂ O	50556771	50676954	50693841	50694154	50692950	50693379
0/25" H ₂ O	50556789	50676962	50693859	50694162	50692968	50693387
0/30" H ₂ O	50677101	50676971	50693867	50694171	50692976	50693395
0/40" H ₂ O	50677110	50676989	50693875	50694189	50692984	50693409
0/50" H ₂ O	50677128	50676997	50693883	50694197	50692992	50693417

NOTE: Each gauge is supplied with a pair of 1/8" to 3/16" hose barb adaptors and a set of case mounting screws.

Factory stocked items shown in bold print. Items without part numbers are available - consult factory.

Differential Pressure Gauges Model A2G-10, air2guide^P

WIKA Datasheet A2G-10

air2guide^P
by WIKA

Applications

- For dry, clean, non-aggressive gases, air
- Monitoring of blowers and ventilators
- Filter monitoring via differential pressure
- Positive overpressure in clean rooms
- Positive and negative pressure in isolation chambers

Special Features

- Zero adjustment in front
- Red mark pointer standard
- Simple mounting and dismounting
- Two part construction (measuring element and case)
- Optional version with additional electrical output signals (air2guide^{P+E}, see data sheet A2G-15)

Description

Design

Per EN 837-3 and HVAC regulations

Nominal size

4½"

Accuracy

± 3.0 % of full span

Ranges

0 / 0.2 InWC up to 0 / 50 InWC

Compound ranges

Starting from -0.1 / +0.1 InWC
(other pressure units and dual scales are available)

Pressure limitation

Steady: full scale value

Fluctuating: full scale value

Differential Pressure Gauge air2guide^P Model A2G-10



Overpressure Safety

80 InWC

Max working pressure (static pressure)

80 InWC

Temperature limits

Ambient: -22 °F... 176 °F

Media: 3 °F...122 °F

Temperature effect

When the temperature of the measuring system deviates from the reference temperature (+68 °F):
max. ± 0.5 % / 18 °F of full scale value

Ingress protection

NEMA 3 (IP 54 per EN 60529)

Standard version

Process connection

Plastic

Lower mount (LM) or back mount G 1/8 female for hose connector
Supplied with straight or angled hose barb adaptors 1/8" / 3/16" (standard). 1/4" hose barb adaptors available

Separating diaphragm

Silicone rubber

Movement

Frictionless magnetic transmission

Dial

Aluminium, scale over 90°.

Pointer and mark pointer

Plastic

Housing

Black thermoplastic, high impact resistant

Window

Polycarbonate

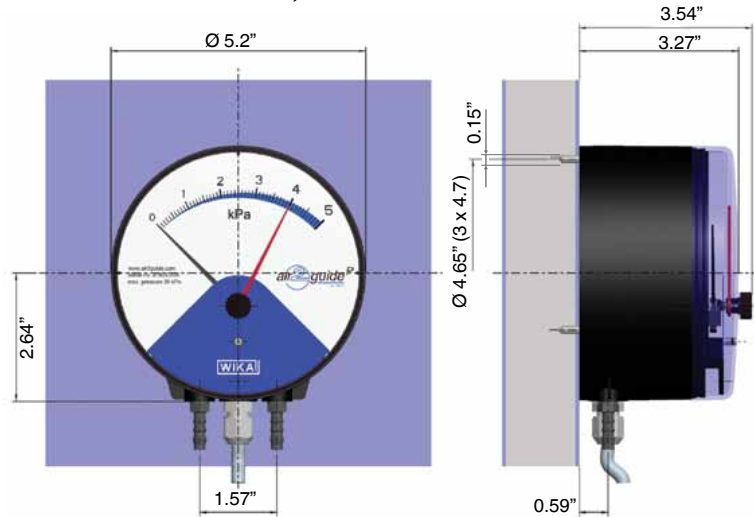
Options

- Ingress protection, NEMA 4 (IP 65)
- Internationally recognized traceable calibration certificate
- Measuring hose PVC or silicone, inner diameter 4 or 6 mm, length 25 m PVC or silicone tube 1/8" or 1/4" inside diameter, 80 feet long
- 2 duct connectors
- Output signal 4... 20 mA, 2-wire, power supply DC 14 V or output signal 0 ... 10 V, 3-wire, power supply DC 15V (see datasheet A2G-15)
- Without case

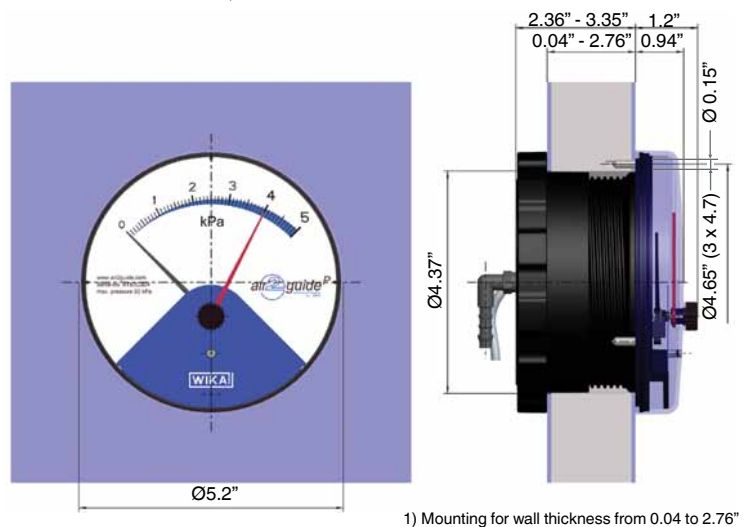
Dimensions (inches)

Standard version

Surface mount, lower connection



Panel mount, back connection



1) Mounting for wall thickness from 0.04 to 2.76"

Ordering information

Model / Connection location / Wall mount or panel mount / Inner dimensions of the threaded pressure connection / Scale range / Options

Ordering information

Pressure gauge model / Nominal size / Scale range / Size of connection / Optional extras required
Specifications and dimensions given in this leaflet represent the state of engineering at the time of printing.
Modifications may take place and materials specified may be replaced by others without prior notice.



WIKA Instrument Corporation

1000 Wiegand Boulevard
Lawrenceville, GA 30043
Tel (770) 513-8200 Toll-free 1-888-WIKA-USA
Fax (770) 338-5118
E-Mail info@wika.com
www.wika.com