

PVW04JF/EXN EXPLOSION-SAFE

CE II 3 GD; Ex nA II T4; Ex tD A22 IP65 T85°C 94/9/EC (ATEX) and 2004/108/EC (EMC) EN60079-15, EN60079-0, EN61241-1, EN61241-0

105dB (at 1m) Voice Annunciator ADPCM 64kbit/s



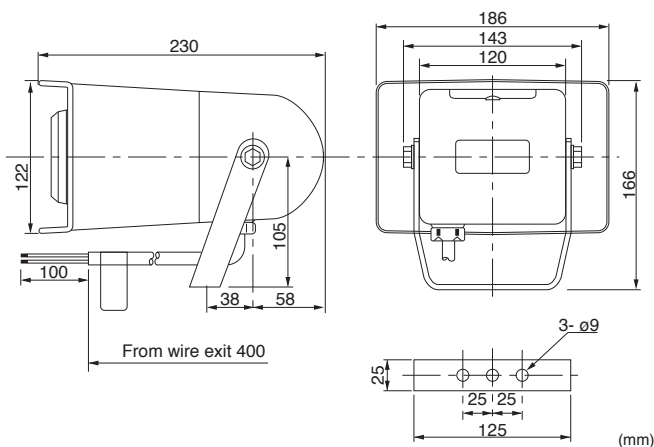
- Explosion-safe for gas and dust
- Suitable for Zone 2 and Zone 22
- CE compliance in accordance to ATEX
- 4 pre-recordable messages on EPROM
- Maximum 63 seconds for recording time.
- Adjustable audible sound volume up to 105dB at 1 meter
- ADPCM 64kbit/s clear sound quality from an LSI digital voice synthesizer.
- Indoor Installation: upright, inverted, and sideways.
Outdoor: upright installation only.
- Provided with an anti-corrosive stainless steel mounting bracket.
- 12/24VDC & 12/24VAC
- Protection rating of IP65



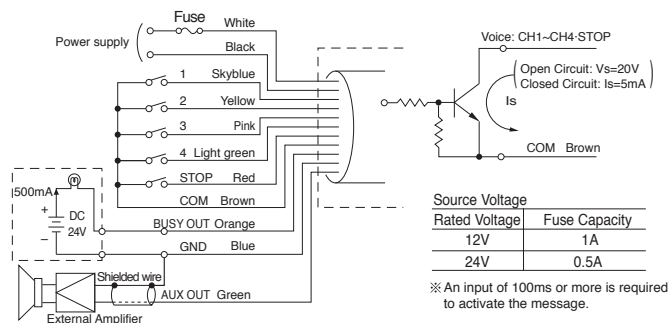
PVW04JF/EXN



■ Dimensions



■ Wiring Diagram



Channel Priority
STOP (Red) > CH4 (Light green) > CH3 (Pink) > CH2 (Yellow) > CH1 (Skyblue)
Note: The greater number has priority when any of the channels are activated simultaneously.

■ Specifications

Model	Rated Voltage	Voltage Range	Power Consumption	Volume	Outer Contact Capacity	Operating Temperature Range	Auxiliary Input	Channel	AUX Output	BUSY Output	Max Message Time	Protection	Mass
PVW04JF/EXN	12/24V AC/DC	8~28V AC 9~35V DC	12W	Max. 105dB at 1m	More than 10mA	-10°C~+55°C Humidity 85% or less.	Non-voltage Contact 4/1bit	4	-10dBv 600	Max. load 24V DC 500mA	63 sec.	IP65	1.3kg