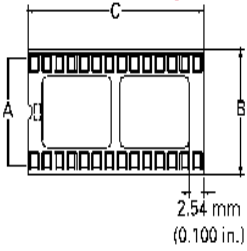


**DILB40P-223TLF - DIP : DIP  
Socket, Stamped and Formed**



[www.fci.com](http://www.fci.com)

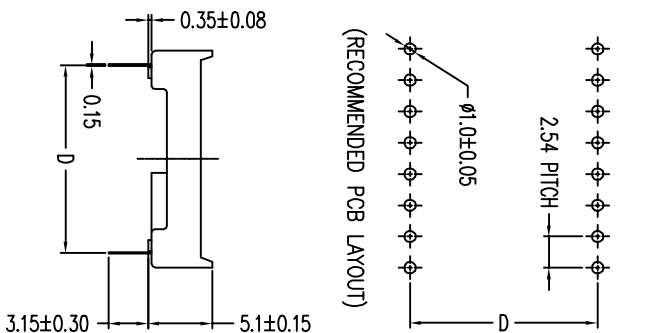
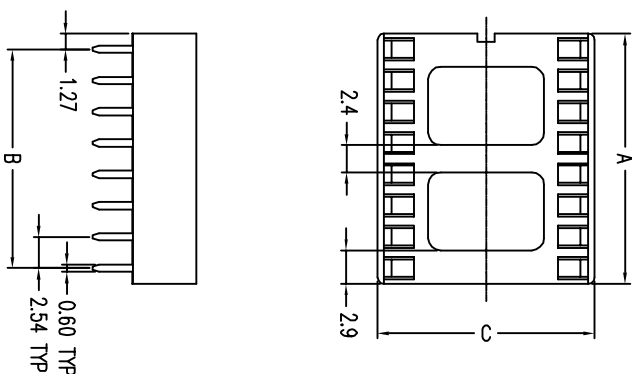
**Specifications**

<b>General</b>	
<b>Contact type</b>	SAF
<b>Number of contacts</b>	40
<b>Number of contacts (per row)</b>	20
<b>Number of rows</b>	2
<b>Product Style</b>	DIP, Stamped and Formed
<b>Frame Type Style</b>	Open
<b>Gender (Contact)</b>	Socket
<b>Insulator Type</b>	Standard
<b>Dimensional</b>	
<b>Length (Tail)</b>	3.2 mm (0.126 in.)
<b>Dim D (in)</b>	15.24 mm
<b>Dim D (mm)</b>	15.24 mm
<b>Spacing (Contact)</b>	2.54 mm (0.1 in.) Pitch
<b>Dim A (in)</b>	2 in.
<b>Dim A (mm)</b>	50.8 mm
<b>Dim B (in)</b>	1.9 in.
<b>Dim B (mm)</b>	48.26 mm
<b>Dim C (in)</b>	0.7 in
<b>Dim C (mm)</b>	17.78 mm
<b>Spacing (Row to row)</b>	15.24 mm (0.6 in.)
<b>Electrical</b>	
<b>Withstanding Voltage</b>	1000V AC RMS min.
<b>Current rating</b>	1 amps max.
<b>Resistance (Contact)</b>	30 M ohms max. at 6V DC
<b>Resistance (Insulation)</b>	1000 M ohms min. at 500V DC
<b>Voltage rating</b>	200V AC
<b>Mechanical</b>	
<b>Durability (Mating cycles)</b>	25 Cycles
<b>Insertion force</b>	340.2g/Contact max.
<b>Withdrawal Force</b>	14.5g/Contact min.
<b>Mounting</b>	

<b>Mounting style</b>	Through Hole
<b>Physical</b>	
<b>Color (Housing)</b>	Black
<b>Material (Contact)</b>	Copper Alloy
<b>Plating (Inner clip / Contact)</b>	100μ" min. Pure Tin over 50μ" Nickel
<b>Material (Inner clip / Contact)</b>	Copper Alloy
<b>Material (Insulator)</b>	Polyester, UL 94V-0
<b>Temperature (use - continuous)</b>	-55°C to 105°C
<b>Approvals / Certifications</b>	
<b>Approvals / Certifications</b>	UL/CSA Pending
<b>Other Features</b>	
<b>Packaging (Type)</b>	Tube

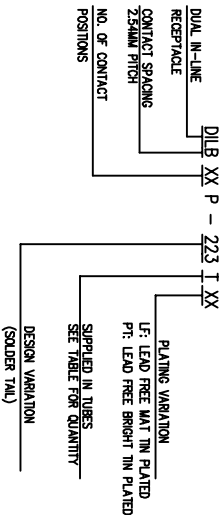


CATALOG NO	NO.OF CONTACTS	TABLE OF DIMENSIONS		
		A±0.30	BE0.25	CE0.30I D±0.20
DILB8P-2231XX	8P	10.16	7.62	
DILB14P-2231XX	14P	17.78	15.24	
DILB16P-2231XX	16P	20.32	17.78	10.16
DILB18P-2231XX	18P	22.86	20.32	7.62
DILB20P-2231XX	20P	25.40	22.86	
DILB24P-2241XX	24P	30.48	27.94	
DILB24P-2231XX	24P	30.48	27.94	
DILB28P-2231XX	28P	35.56	33.02	
DILB32P-2231XX	32P	40.64	38.10	17.78
DILB40P-2231XX	40P	50.80	48.26	
DILB42P-2231XX	42P	53.34	50.80	15.24



NOTES

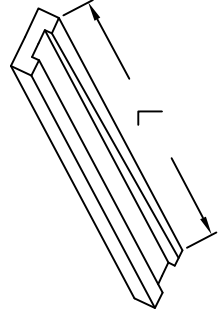
- MATERIALS  
HOUSING: POLYAMIDE, UL94V-0 COLOR IN BLACK.  
CONTACT: COPPER ALLOY.
- FINISH  
100µ" MIN. MATTE OR BRIGHT TIN OVER 50µ" MIN. NICKEL.
- PERFORMANCE CHARACTERISTICS
  - OPERATING VOLTAGE: 200VAC;
  - CONTACT RESISTANCE: 30 MILLIOHMS MAX. AT 6 VDC;
  - CURRENT RATING: 1 AMP. MAX.;
  - OPERING TEMPERATURE: CONTINUOUS, -55C TO 105C;
  - INSULATION RESISTANCE: 1000 MEGOHMS MIN AT 500 VDC;
  - DIELECTRIC WITHSTANDING VOLTAGE: 1000 VAC RMS MIN.;
  - DURABILITY: NO ELECTRICAL DEGRADATION AFTER 25 CYCLES;
  - THERMAL SHOCK: NO PHYSICAL OR ELECTRICAL DEGRADATION PER MIL-STD-1344, METHOD 1003, COND A;
  - MOISTURE RESISTANCE: 300 MEGOHMS MIN PER MIL-STD-202, METHOD 106, OMIT STEPS 7a AND 7b;
  - VIBRATION: NO ELECTRICAL INTERRUPTION GREATER THAN 1 MICROSECOND PER MIL-STD-1344, METHOD 2005 COND III;
  - MECHANICAL SHOCK: NO ELECTRICAL INTERRUPTION GREATER THAN 1 MICROSECOND WHEN 17.64 oz (500g) IS APPLIED FOR 0.75 MILLISECOND;
  - FLAMABILITY: UL94 V-0;
  - INSERTION FORCE 340.2g /CONTACT MAX.; WITHDRAWAL FORCE: 14.5g/CONTACT MIN.;
- DILBXXP-2231XX: THE HOUSING WILL WITHSTAND EXPOSURE TO 260° PER PERK TEMPERATURE FOR 10 SECONDS IN A WAVE SOLDER APPLICATION.



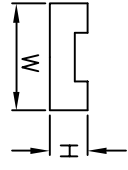
mat'l. code	itr	ecn no.	dr	date	linear	tolerances unless otherwise specified	CUSTOMER COPY	FCI	title	product family	EDGE CARD	code
A	106-0016	W.L	1/24/05		.XX ± 0.2					DILB ASSEMBLY		TWN
B	106-0053	J.H	3/28/06		.XXX ± 0.05						10052485	sheet 1 of 2
C	106-0068	J.H	7/7/06		0° ± 2°							
sheet	revision											
index	sheet	1	2									

ACAD

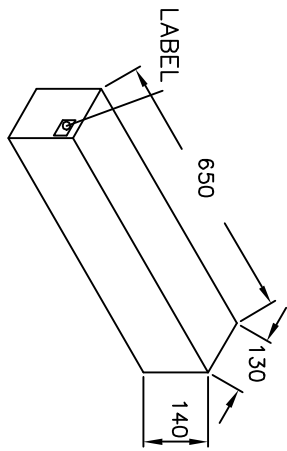
cgge code  
22526



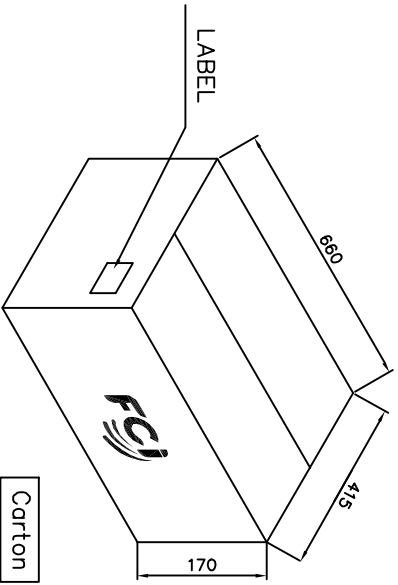
L	635	635
W	136	136
H	116	116



Tube



Box



Carton

**DILB PACKING LIST FOR TUBE**

	CONTACTS	Pcs/TUBE	TUBE /INNER BOX	PCS / INNER BOX	INNER / OUTER BOX	PCS / OUTER BOX
DILB8P-223TX	8P	60	100	6000	3	18000
DILB14P-223TX	14P	34	100	3400	3	10200
DILB16P-223TX	16P	30	100	3000	3	9000
DILB18P-223TX	18P	26	100	2600	3	7800
DILB20P-223TX	20P	24	100	2400	3	7200
DILB24P-224TX	24P	20	100	2000	3	6000
DILB24P-223TX	24P	20	60	1200	3	3600
DILB28P-223TX	28P	17	60	1020	3	3060
DILB32P-223TX	32P	15	60	900	3	2700
DILB40P-223TX	40P	12	60	720	3	2160
DILB42P-223TX	42P	11	60	660	3	1980

mat'l code		tolerances unless otherwise specified		CUSTOMER COPY		FCI		title		product family		code	
itr	ecn no	dr	date	linear	.X ± 0.3	projection		DILB ASSEMBLY	EDGE CARD	TWIN			
C				.XXX ± 0.2	.XXX ± 0.05	MM	1:1	10052485		2 of 2			
				angles	0° ± 2°								
				dr	WADE LIU	01/05/05							
				engr	WADE LIU	01/05/05							
				chr	WADE LIU	01/05/05							
				appd	STERLING LIN	01/08/05							
sheet	revision	C	C										
index	sheet	1	2										

ACAD

code code  
22526