

**DA7W2SA00LF - D-Subminiature : Power Cable Connector 7W2 Socket**



[www.fci.com](http://www.fci.com)

**Specifications**

<b>General</b>	
Contact type	Power
Gender	Socket
Number of contacts (Total)	7
Product Type	Connector
Termination Style	Solder Bucket
<b>Dimensional</b>	
Size (Shell)	A
Size (Wire)	20 AWG max. on Signal
<b>Electrical</b>	
Current rating	7.5A per Contact (Signal)
Resistance (Contact)	< 10 milli ohms
Voltage rating	300V rms at 50 Hz
Voltage rating (DWV - Dielectric withstanding)	1000V rms
<b>Mechanical</b>	
Durability (Mating cycles)	Std Class (>200 Mating Cycles)
Extraction force (Signal)	0.3N min. per Contact
Insertion force (Signal)	5N max. per Contact
<b>Mounting</b>	
Mounting options	Without Accessory
<b>Physical</b>	
Plating (Contact)	Gold over Nickel
Plating (Shell)	Semi Bright Nickel
Plating (Solder tail)	Sn
Plating (Termination)	Gold over Nickel
Temperature (Operating - range)	-55°C to +125°C
<b>Approvals / Certifications</b>	
Approvals / Certifications	Recognized (File E 118235)
<b>Other Features</b>	
Most Popular Configuration	Yes
Comments	See Power Contacts, Ordered separately

REFERENCE SPECIFICATIONS

-NFC 93425 (in compliance with HE 507)

PHYSICAL CHARACTERISTICS

-INSULATOR MATERIAL: THERMOPLASTIC UL94V0  
 -CONTACT MATERIAL: PHOSPHOR BRONZE

-ACCESSORIES: BRASS  
 -SHELLS: STEEL

ELECTRICAL CHARACTERISTICS

-NOMINAL CURRENT: 7.5A  
 -CONTACT RESISTANCE: <= 7.3 m ohms  
 -CONTACT/CONTACT : >=1000 V  
 -CONTACT/GROUND : >=1200 V  
 -INSULATION RESISTANCE: >=5000 MOhms

ENVIRONMENTAL CHARACTERISTICS

- CLIMATIC CATEGORY: 55/125/21  
 TEMPERATURE RANGE -55°C TO +125°C  
 DAMP HEAT STEADY STATE 21 DAYS  
 SALT SPRAY 48 HOURS

MECHANICAL CHARACTERISTICS

- RETENTION AGAINST TORQUE: - Threaded insert: 0.7 N.m minimum  
 - Female screw : 0.5 N.m minimum

NOTE RoHS INFORMATION

- The "LF" products meet european union Directives and other country regulations as described in GS-22-008.
- Termination plating spec:  
Ni + Gold
- Active area plating spec:  
Ni + Gold
- Shell plating :2 to 4µm Cu + Nickel + 3 to 10µm Sn,pure bright
- Accessories: Sn pure bright + nickel
- Packaging spec: See GS-14-920

# DBL13W3S043A00LF

Series ←

Shell size: **E A B C D** ←  
 see sheet 2

Front accessory definition ←  
 see sheet 2

- Blank** :without accessory
- L** :threaded insert M3
- O** :threaded insert UNC 4-40

Layout of contacts (see sheet 3) ←

Contacts ←

- S** :Socket

Plating ←

- Blank** signal solder bucket 200 matings/unmatings
- 043** signal solder bucket 500 matings/unmatings

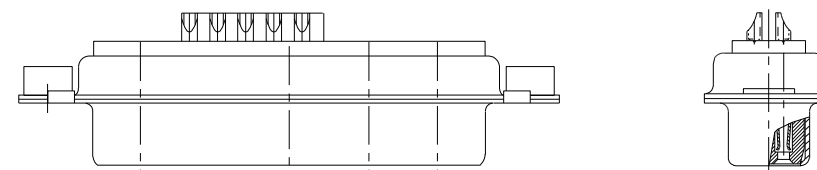
PCB accessory definition ←

- A** without accessory on PCB

Power contacts ←

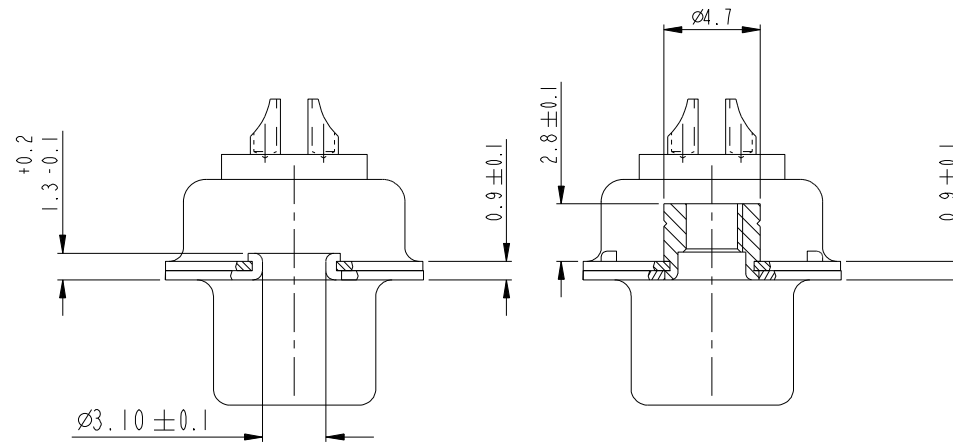
- 00** without power contact

See note RoHS



13W3 FOR EXAMPLE

www.fciconnect.com				surface - ✓	tolerance std	projection	mm
				ISO 1302	ISO 406	ISO 1101	
				TOLERANCES UNLESS OTHERWISE SPECIFIED			
Dr	M PESSON	2005-10-11	ANGULAR	0.X	±0.3	size	Scale
Eng	P LEGARE	2005-10-11	LINEAR	0.XX	±0.1	A2	2:1
Chr			0° ±2°	0.XXX	±0.05	ECN	LS07-0273
Appr			Product family		- Spec ref		
rev	ecn no	dr	date				
A	LS05-0101	MPE	2005-10-11				
B	LS06-0208	LGO	2006-12-12				
C	LS07-0273	MPE	2007/10/31				
D	F10-0073	LSA	2010/07/20				
				<b>FCI</b>	SUB FEMALE DW		Rev.
				mixed power+solder bucket		dwg no	C01-8639-2303
				catalog no	CUSTOMER		sheet 1 of 7



FRONT ACCESSORY	<b>Blank</b> without	<b>L</b> insert M3
		<b>O</b> insert UNC 4.40
PCB ACCESSORIES	<b>A</b> without	<b>A</b> without

PART NUMBER	MATINGS/ UNMATINGS	FRONT ACCESSORY	PCB ACCESSORIES
D*xWxSA00LF	200	without	without
D*LxWxSA00LF	200	insert M3	without
D*OxWxSA00LF	200	insert UNC 4.40	without
D*xWxS043A00LF	500	without	without
D*LxWxS043A00LF	500	insert M3	without
D*OxWxS043A00LF	500	insert UNC 4.40	without

shell size	LAYOUTS
*	xWx
E	5W1
A	11W1
A	7W2
B	21W1
B	17W2
B	13W3
B	9W4
C	25W3
C	21WA4
C	27W2
D	47W1
D	24W7
D	36W4

SCALE: 4



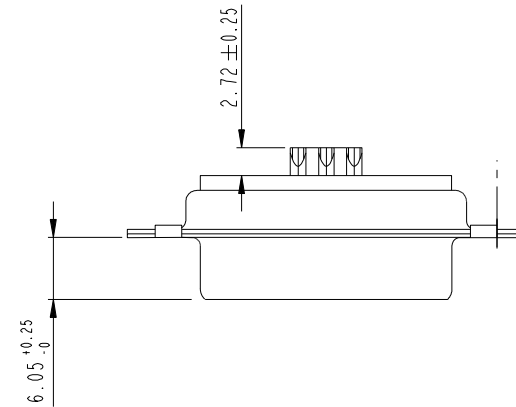
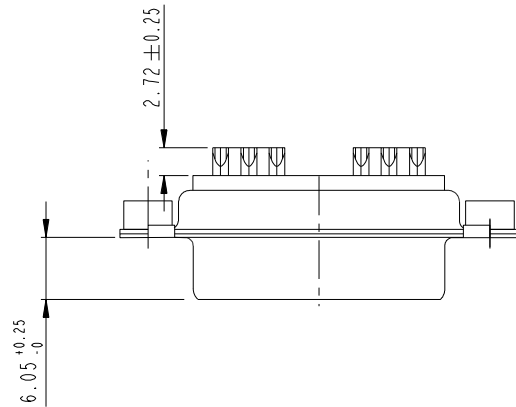
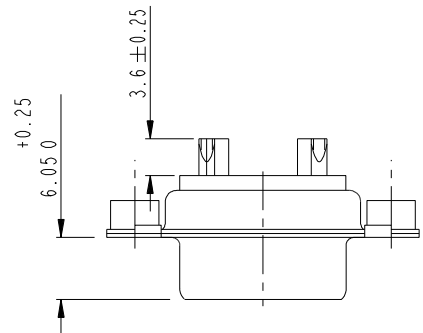
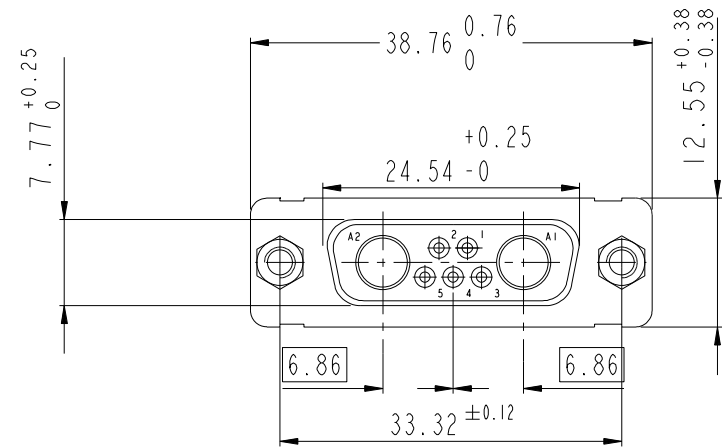
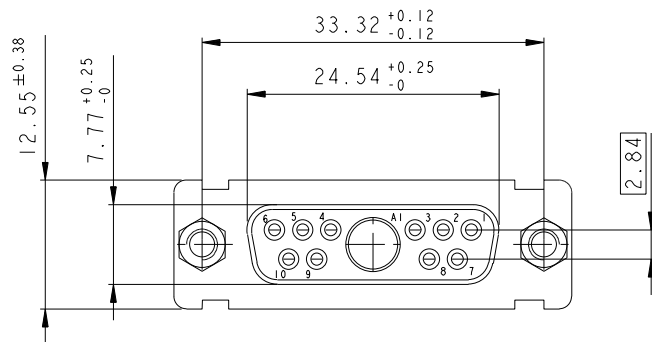
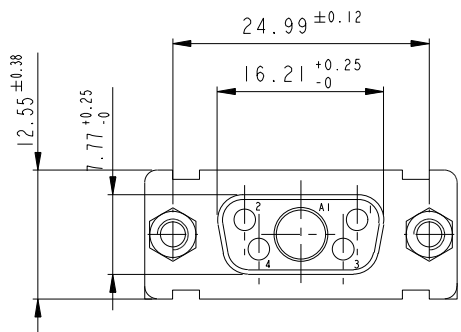
Copyright FCI.

www.fciconnect.com		surface <input checked="" type="checkbox"/> ISO 1302	tolerance std ISO 406 ISO 1101	projection	mm
		TOLERANCES UNLESS OTHERWISE SPECIFIED			
Dr	M PESSON	2005-10-11	ANGULAR	0.X ±0.3	size A2
Eng	P LEGARE	2005-10-11	LINEAR	0.XX ±0.1	Scale 2:1
Chr			0° ±2°	0.XXX ±0.05	ECN LS07-0273
Appr			Product family	-	Spec ref
		SUB FEMALE DW		dwg no	Rev.
		mixed power+solder bucket		C01-8639-2303	D
		catalog no	-	CUSTOMER	sheet 2 of 7

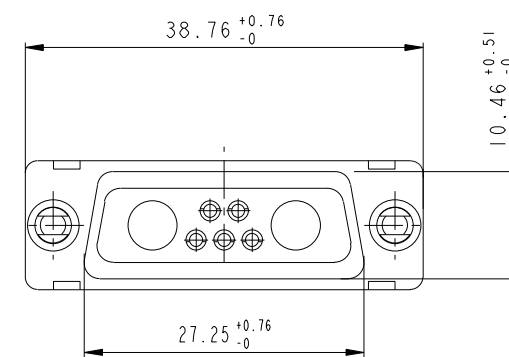
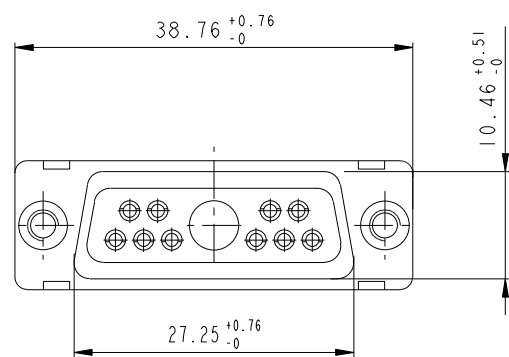
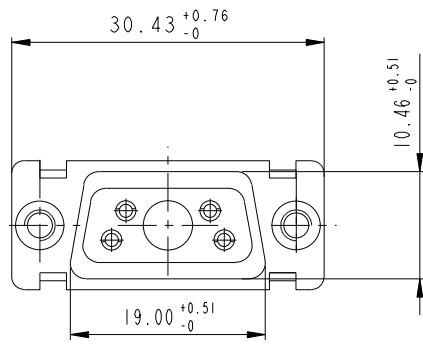
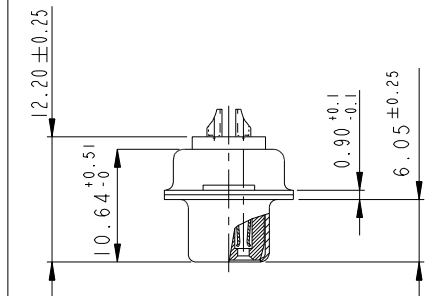
5W1

11W1

7W2



SIDE VIEW FOR LAYOUTS: E A B C



Floating signal contacts



Copyright FCI.

REV C - 2004-03-28

www.fciconnect.com		surface - ✓	tolerance std ISO 1302	ISO 406	ISO 1101	projection	mm
		TOLERANCES UNLESS OTHERWISE SPECIFIED					
Dr	M PESSON	2005-10-11	ANGULAR	0.X	±0.3	size	Scale
Eng	P LEGARE	2005-10-11	LINEAR	0.XX	±0.1	A2	2:1
Chr			0° ±2°	0.XXX	±0.05	ECN	LS07-0273
Appr			Product family			Spec ref	
		SUB FEMALE DW		mixed power+solder bucket		dwg no	Rev.
						C01-8639-2303	D
						CUSTOMER	sheet 3 of 7

13W3

9W4

17W2

A

B

C

D

E

F

A

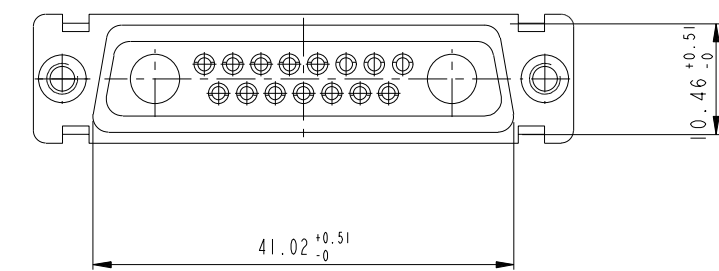
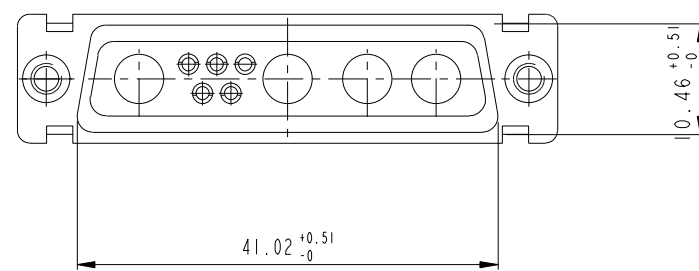
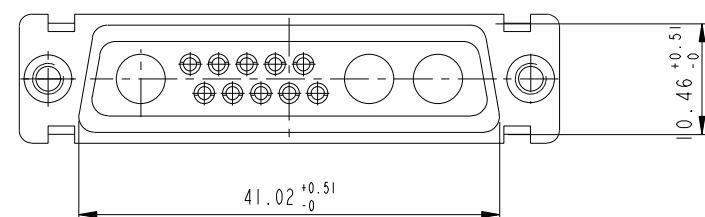
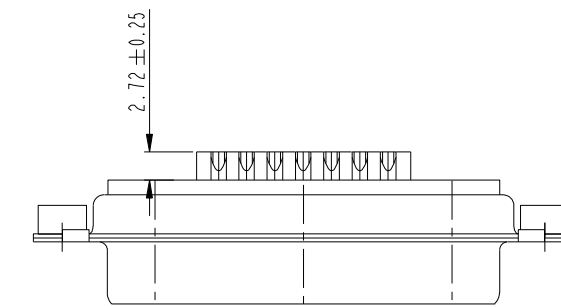
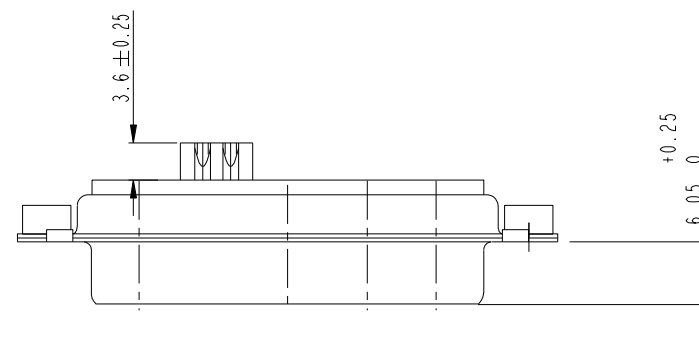
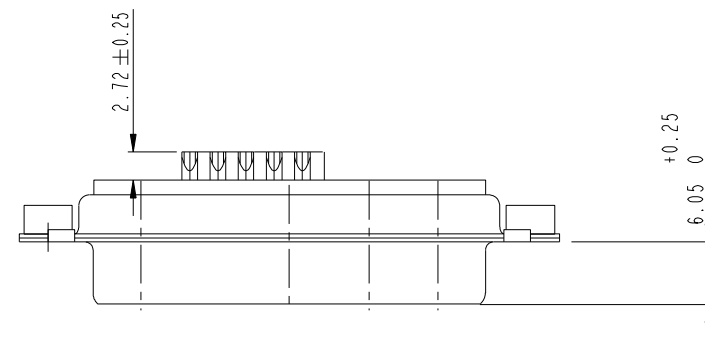
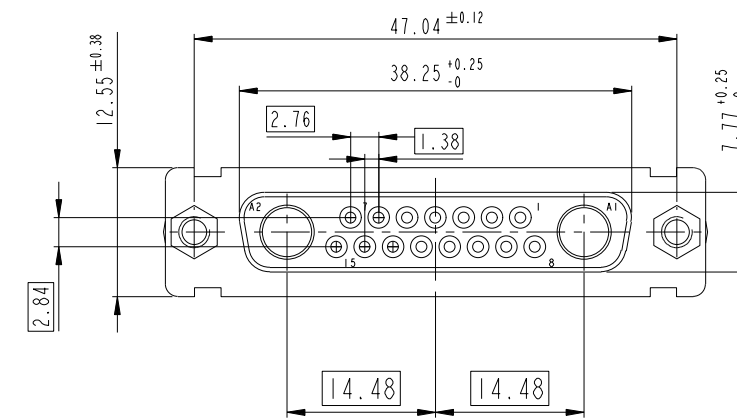
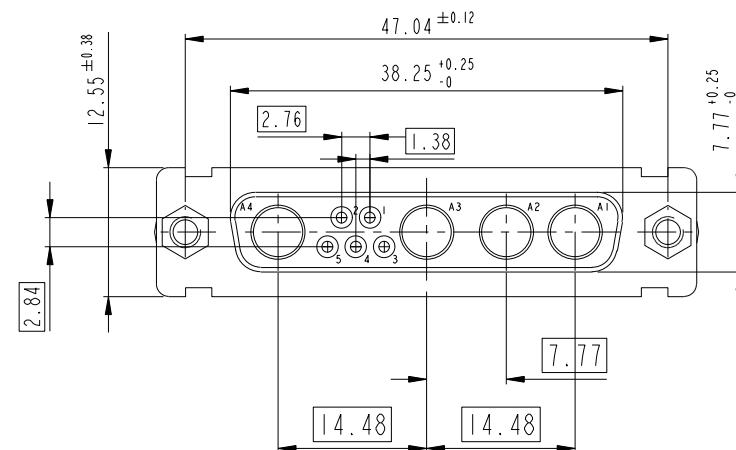
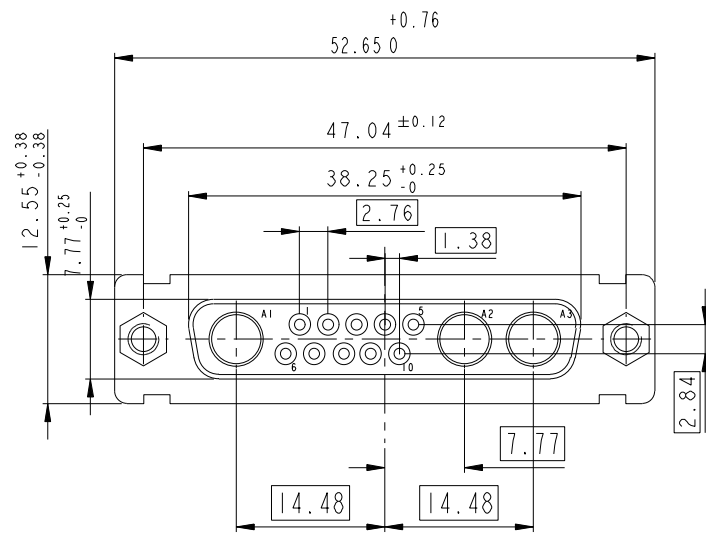
B

C

D

E

F



Floating signal contacts



Copyright FCI.

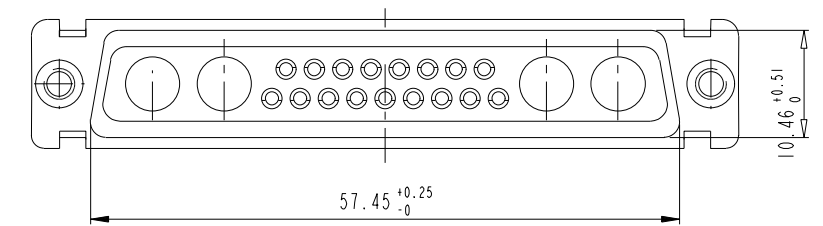
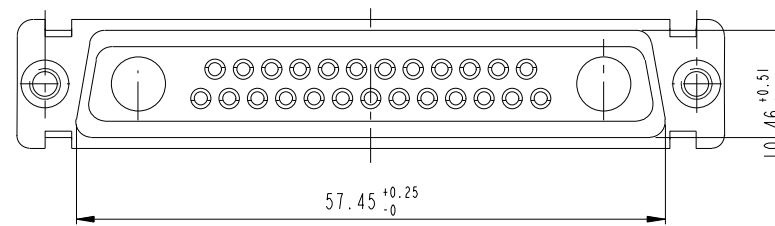
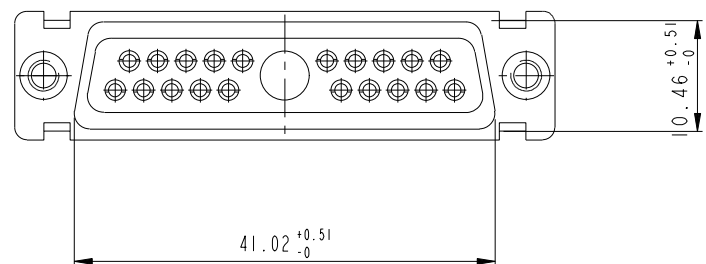
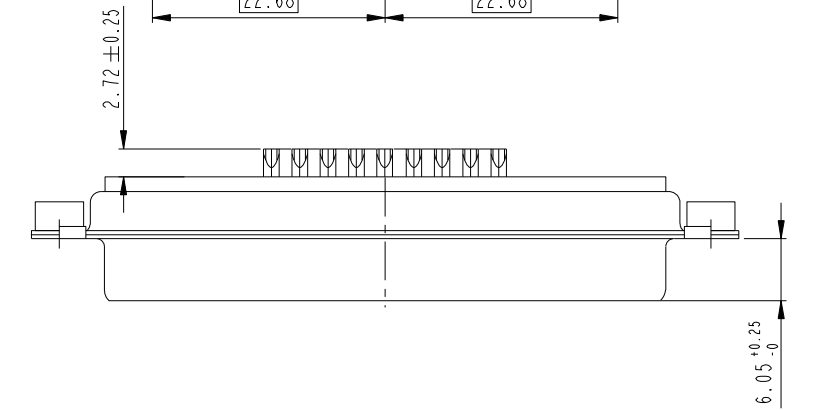
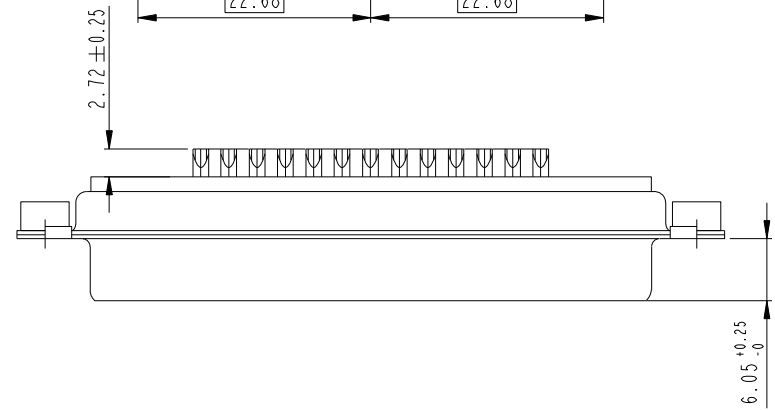
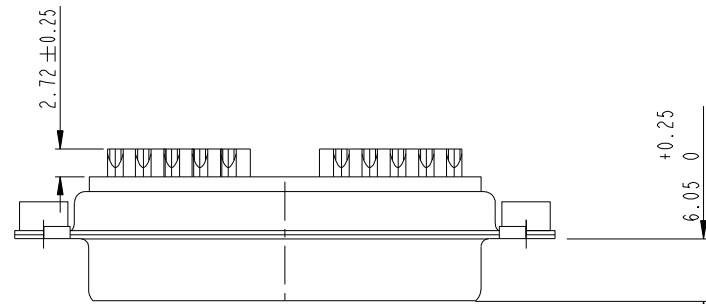
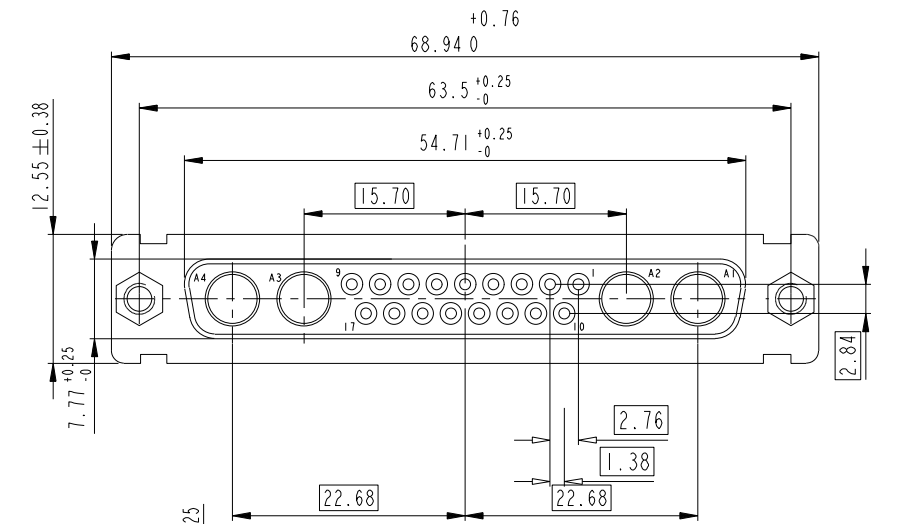
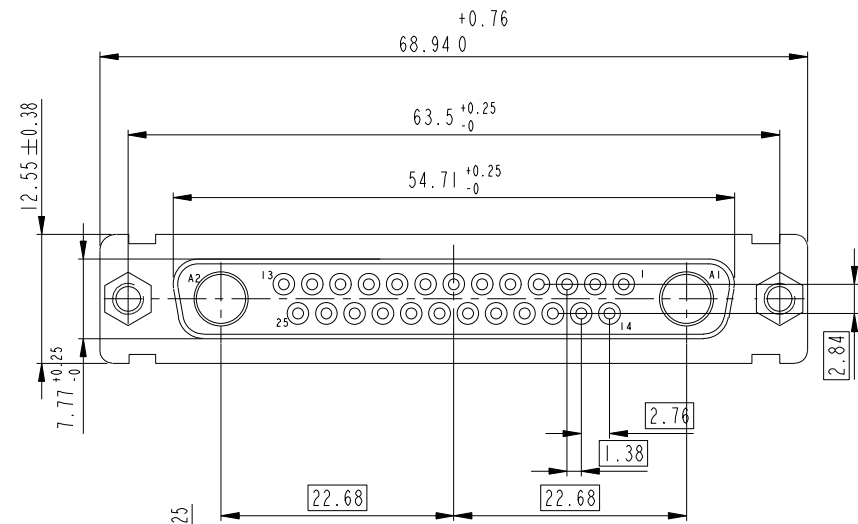
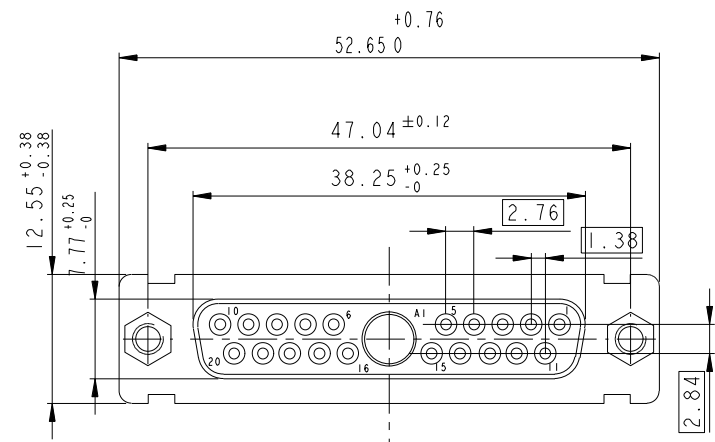
REV C - 2004-03-28

www.fciconnect.com		surface - ✓ ISO 1302	tolerance std ISO 406 ISO 1101	projection mm
		TOLERANCES UNLESS OTHERWISE SPECIFIED		mm
Dr	M PESSON	2005-10-11	ANGULAR	0.X ±0.3
Eng	P LEGARE	2005-10-11	LINEAR	0.XX ±0.1
Chr			0° ±2°	0.XXX ±0.05
Appr			Product family	- Spec ref
FCI		SUB FEMALE DW mixed power+solder bucket		dwg no C01-8639-2303
		catalog no	CUSTOMER	sheet 4 of 7

21W1

27W2

21WA4



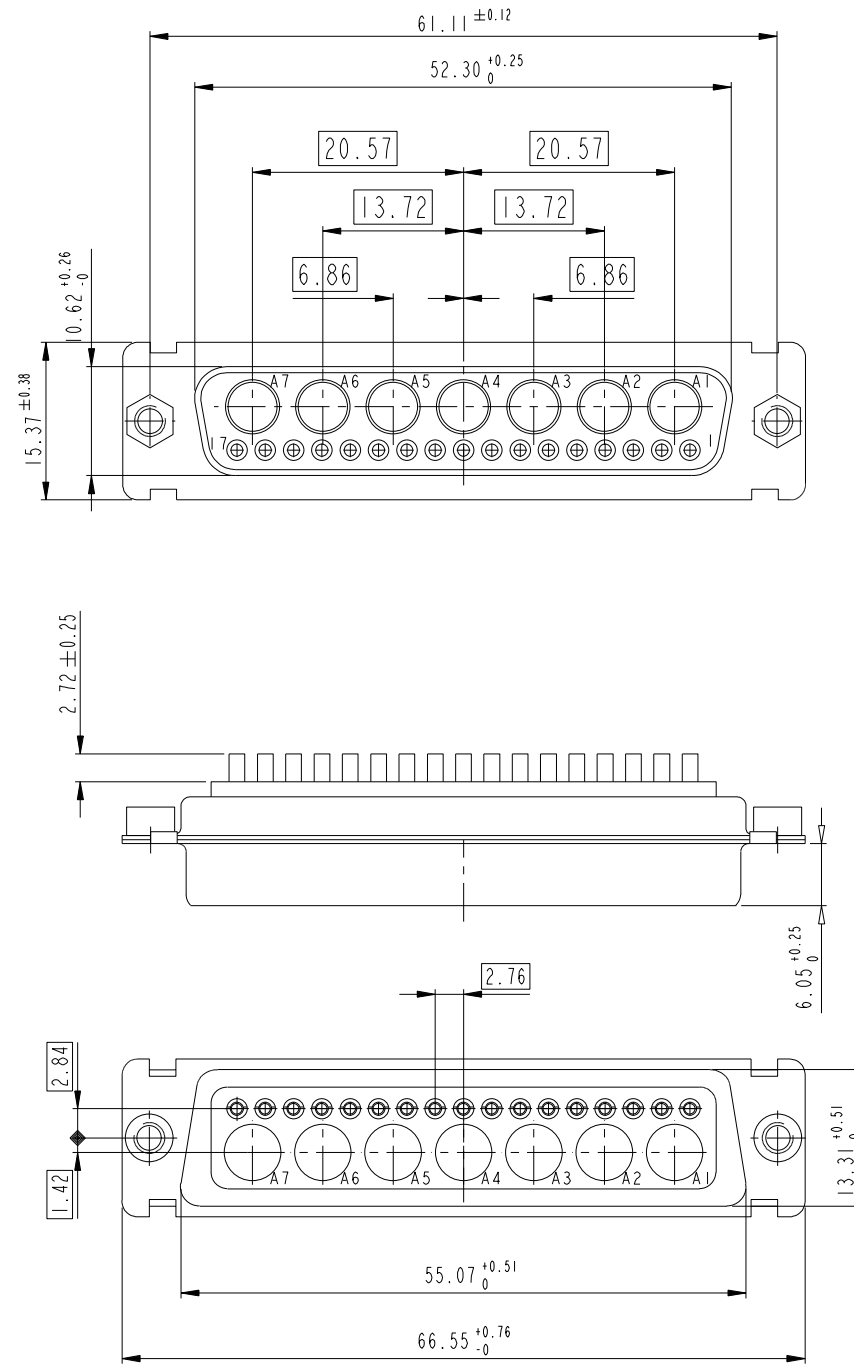
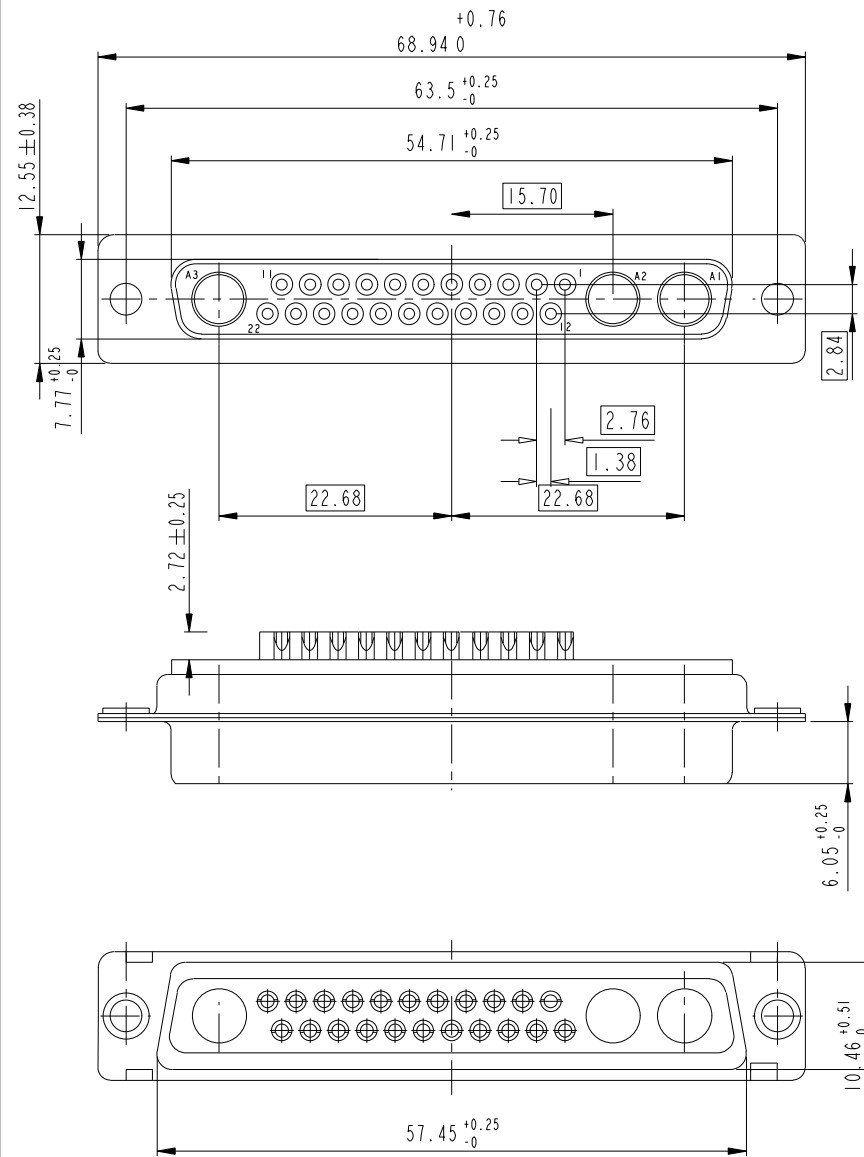
Copyright FCI.

www.fciconnect.com		surface ISO 1302	tolerance std ISO 406 ISO 1101	projection mm
		TOLERANCES UNLESS OTHERWISE SPECIFIED		
Dr	M PESSON	2005-10-11	ANGULAR	0.X ±0.3
Eng	P LEGARE	2005-10-11	LINEAR	0.XX ±0.1
Chr			0° ±2°	0.XXX ±0.05
Appr			Product family	- Spec ref
FCI		SUB FEMALE DW mixed power+solder bucket		dwg no C01-8639-2303
		catalog no	CUSTOMER	Rev. D
			sheet 5 of 7	

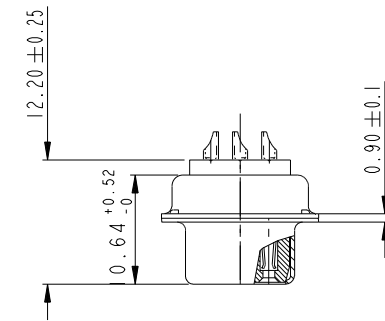
REV C - 2004-03-28

25W3

24W7



SIDE VIEW FOR  
LAYOUT: D

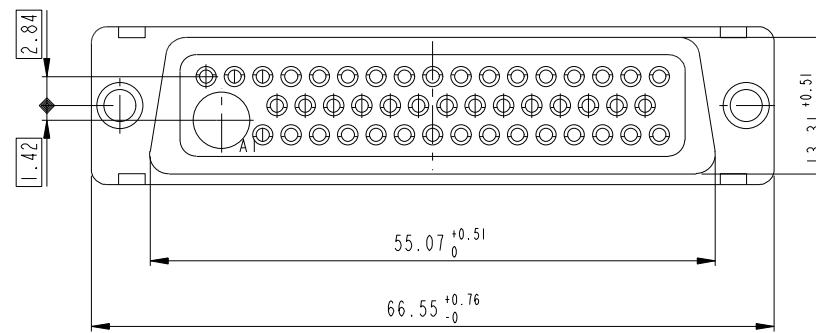
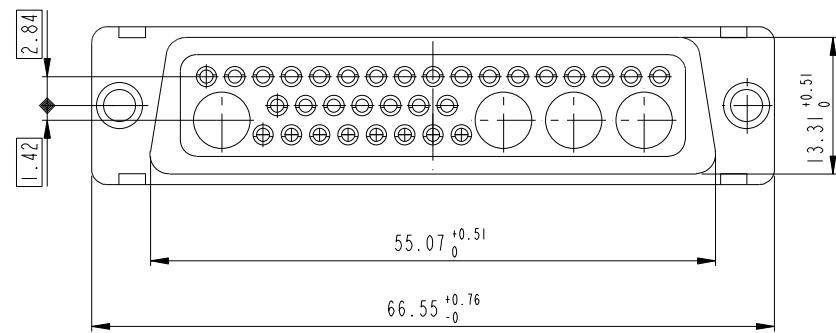
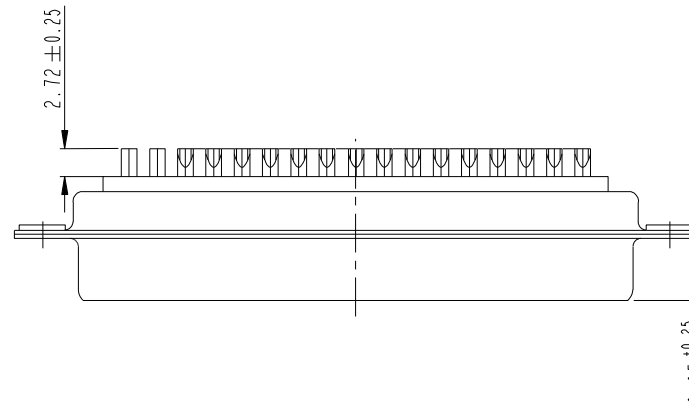
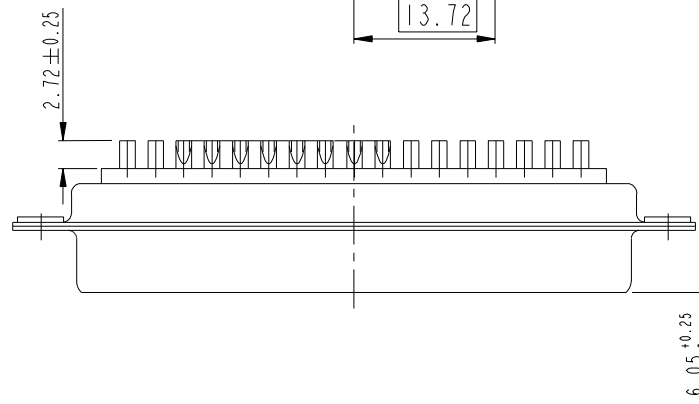
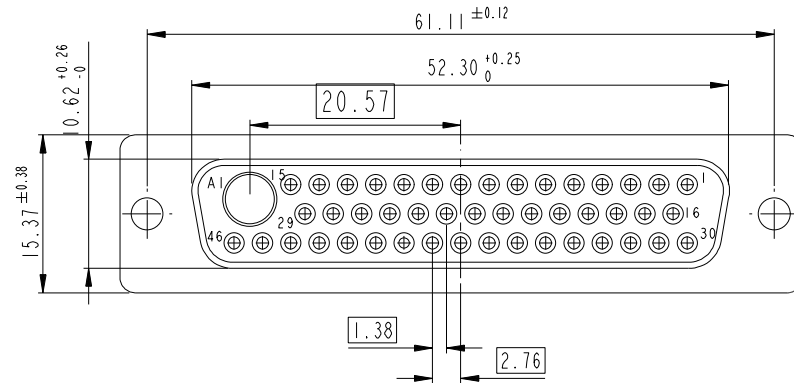
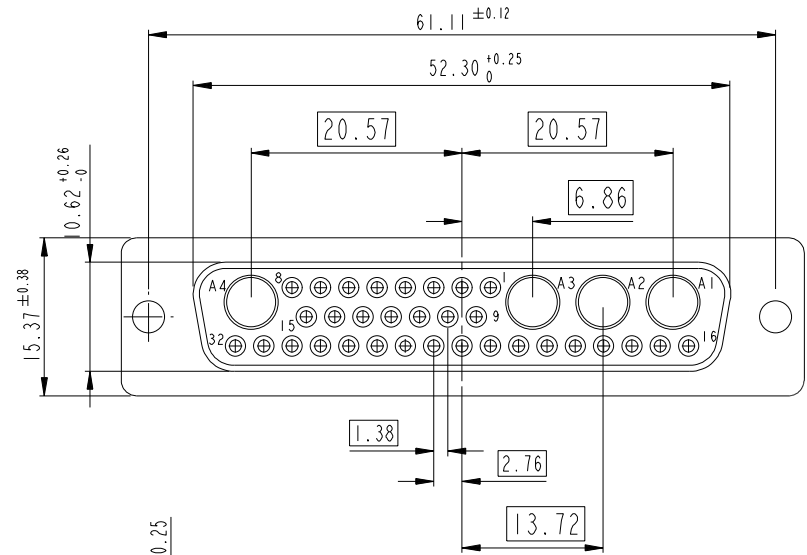


Copyright FCI.

www.fciconnect.com		surface - ✓	tolerance std ISO 1302	ISO 406	ISO 1101	projection	mm
		TOLERANCES UNLESS OTHERWISE SPECIFIED				⊕	↔
Dr	M PESSON	2005-10-11	ANGULAR	0.X	±0.3	size	Scale
Eng	P LEGARE	2005-10-11	LINEAR	0.XX	±0.1	A2	2:1
Chr			0° ± 2°	0.XXX	±0.05	ECN	LS07-0273
Appr			Product family	-		Spec ref	
FCI		SUB FEMALE DW			dwg no	C01-8639-2303	
		mixed power+solder bucket				Rev.	D
		catalog no				CUSTOMER	sheet 6 of 7

36W4

47W1



Copyright FCI. FCI

www.fciconnect.com		surface - ✓	tolerance std ISO 1302	ISO 406	ISO 1101	projection	mm
		TOLERANCES UNLESS OTHERWISE SPECIFIED				⊕	↔
Dr	M PESSON	2005-10-11	ANGULAR	0.X	±0.3	size	Scale
Eng	P LEGARE	2005-10-11	LINEAR	0.XX	±0.1	A2	2:1
Chr			0° ±2°	0.XXX	±0.05	ECN	LS07-0273
Appr			Product family	- Spec ref			
FCI		SUB FEMALE DW			dwg no	C01-8639-2303	
		mixed power+solder bucket				Rev.	D
		catalog no	-		CUSTOMER	sheet 7 of 7	