

10103593-0001LF - MICRO  
USB : B TYPE MID-MOUNT



ACTIVE



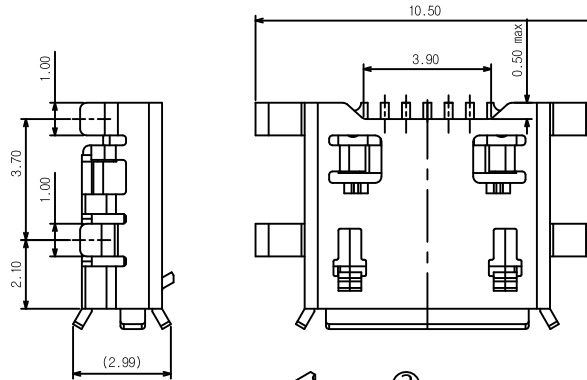
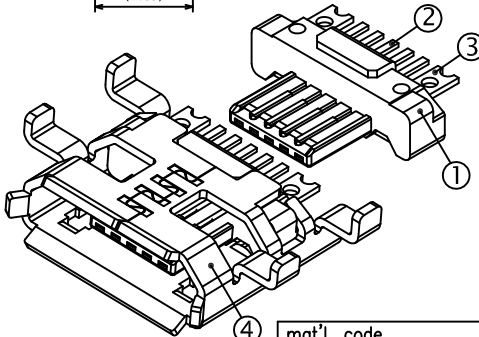
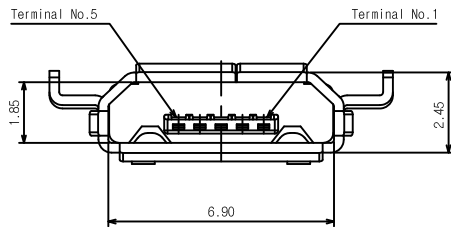
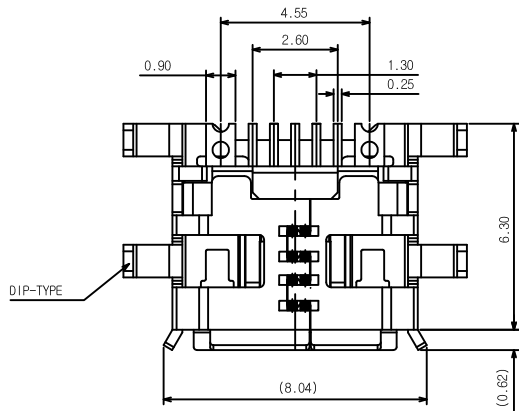
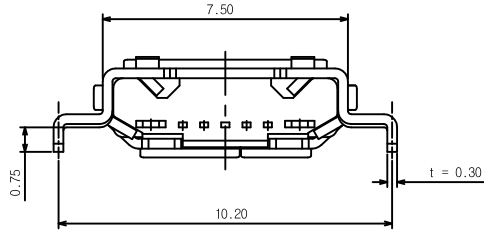
[www.fci.com](http://www.fci.com)

### Mating Half

10104109-0001LF

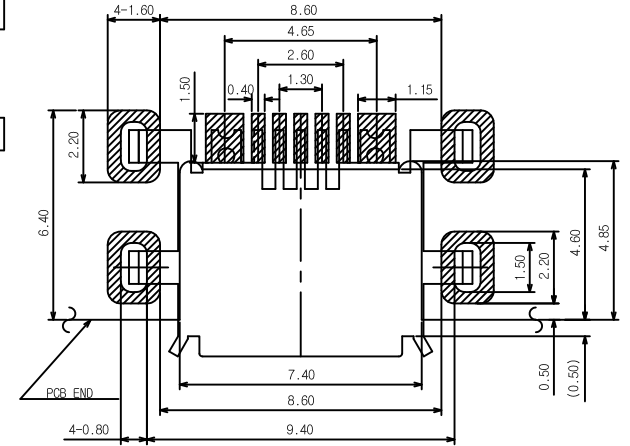
### Specifications

General	
Number of contacts	5
Orientation	Right Angle
Product Type	Mid-Mount
Style	B Type
Series Number	10103593
Single or Dual Stack	Single
Electrical	
Current rating	1.8A per contact
Resistance (Contact)	After test delta: 10 m-ohms Max. change Initial: 30 m-ohms Max.
Resistance (Insulation)	After test: 100 M-ohms Min. Initial: 1000 M-ohms Min.
Voltage rating	100V AC
Mechanical	
Durability (Mating cycles)	10000 Cycles
Insertion force	35N max.
Extraction force (Signal)	8N min.
Mounting	
Mounting style	Surface Mount Type
Physical	
Color (Housing)	Black
Material (Housing)	LCP, UL 94V-0
Plating (Contact area)	30u" Gold over 50u" Nickel
Plating (Shield)	50u" Ni
Plating (Solder area)	Gold Flash
Other Features	
Packaging (Options)	Tape and Reel



-NOTE-

1. This product is enable to mount both USB-IF Recommended PCB pattern
2. Coplanarity : The dimension between flat tool and botton of soldering terminals when connector put on the flat tool like PCB  
Signal terminal / Metal tal (front) : Max 0.08 mm
3. PRODUCT NUMBERING:  
10103593 - 0001LF



USB-IF REVERSE type Pattern  
USB-IF Recommended RIVERSE type Pattern  
(Tolerance : ±0.05)

No.	Part Name	Material	Finish
1	Socket Housing	Thermoplastic(Black)	UL94V-0
2	Socket Contact Ter'	Copper alloy	Au over Ni
3	Socket Ter'	Copper alloy	Au over Ni
4	Socket Shield	Stainless Steel	Ni plated

mat'l. code				tolerances unless otherwise specified			CUSTOMER COPY		FCI		www.fciconnect.com	
ltr	ecn no	dr	date	linear	.X ± 0.38		projection	title				
A	T10-0002	J.H	1/7/10		.XX ± 0.25			MICRO-USB B-TYPE MID-MOUNT				
					.XXX ± 0.15							
				angles	0° ±2°		MM		product family		code	
				dr	JASON HSU	1/7/10	scale		USB		TWN	
				enrg	JASON HSU	1/7/10	A4		size dwg no		sheet	
				chr	GARY HSIEH	1/7/10	NA		10103593		1 of 1	
				appd	JOSEPH HSIA	1/7/10						
sheet index	revision sheet	A	1									