

**86303638BLF - D-
subminiature : Straight Exit
Snap-together Plastic Hood for
15 position connector**



www.fci.com

Specifications

General	
Number of contacts (Total)	15 Position
Orientation	Straight Exit
Packaging	Bulk
Product Type	Hood
Dimensional	
Size (Shell)	A
Electrical	
EMI/RFI performance	Non Shielded
Mounting	
Attachment	Cable
Physical	
Material (Housing)	Plastic
Material (Characteristics)	Thermoplastic
Temperature (Operating - range)	-40°C to +120°C
Approvals / Certifications	
Approvals / Certifications	UL rated 94 V2
Other Features	
Most Popular Configuration	Yes
Comments	"Snap Together" Plastic Hood
Pack factor	50

SIZE	Part Num.	Threading	Jackscrew colour
25	86303639BLF	UNC 4.40	black
	86303644BLF	M3	grey
	86303644B100LF	M3	grey

NOTES:

- Material: Nylon (UL94V-2)
- Cable strain relief: Cable clamp with Self-faping screws
- Temperature range: -40°C to 95°C
- Cable diameter: 4.0 to 11.0mm
- Jackscrew colour: black for 4.40 UNC }
grey for M3.0
- Packaging: - Part Num. ending BLF = Box of 100 individual sets.
- Part Num. ending B100LF = Box of bulk components in plastic bags (see quantity on the table).
- Cable clamp screwing force (max): 70 Ncm
- Jack screws screwing force (max): 50 Ncm

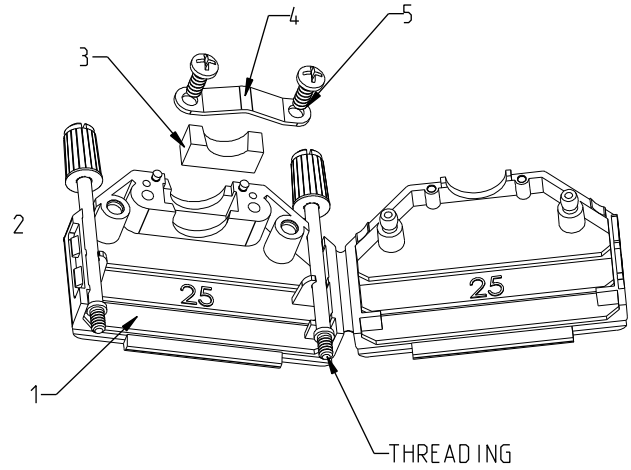
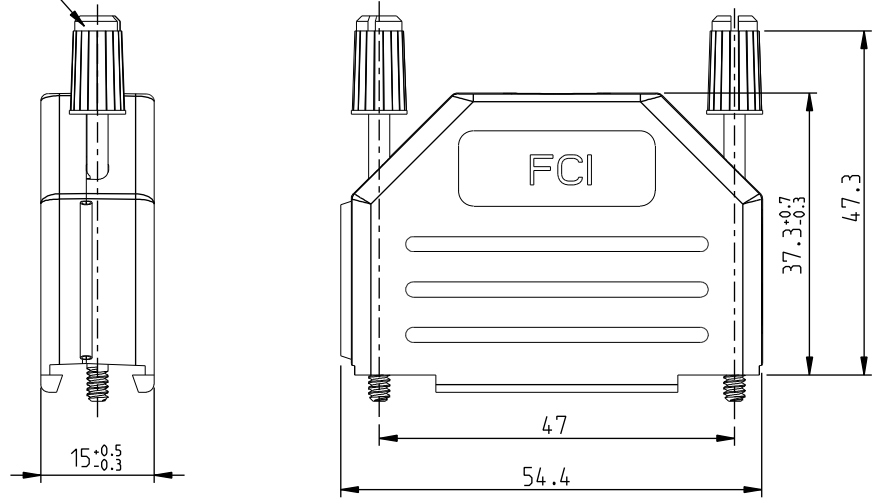
- The "LF" product meets European Union Directives and other country regulations as described in GS-22-008.
- The product is not intended to be exposed to a manufacturing solder process.
- packaging spec; see GS-14-920.

DESIGNATION	REP	Qty per set	Qty per bulk
BACKSHELL	1	1	100
JACKSCREWS	2	2	200
GROMMET	3	1	100
CABLECLAMP	4	1	100
SCREWS POZIDRIVE	5	2	200

www.fciconnect.com		surface ISO 1302	-	tolerance std ISO 406 ISO 1101	projection	mm
TOLERANCES UNLESS OTHERWISE SPECIFIED				ANGULAR	LINEAR	size A3
Dr	GOISNARD L	2004.03.22	0.x	±/	Scale 3:2	
Eng	PESSON M	2004.03.22	0.xx	±/	ECN F10-0083	
Chr	LEGARE .P	2004.03.22	0.xxx	±/	Spec ref	-
Appr	LEGARE P	2004.03.22	Product family D-SUB HOODS			
Title D-SUB PLASTIC SHELLS STRAIGHT SNAP-TOGETHER					dwg no 10061215C	Rev. E
catalog no see tables			CUSTOMER		sheet 1 of 3	

rev	ecn no	dr	date
A	LS05-0086	LGO	2005/10/10
B	LS06-0084	LGO	2006/06/20
C	LS08-0155	MPE	2008/06/27
D	F09-0223	LSA	2009/11/24
E	F10-0083	LSA	2010/08/04
-	-	-	-
-	-	-	-

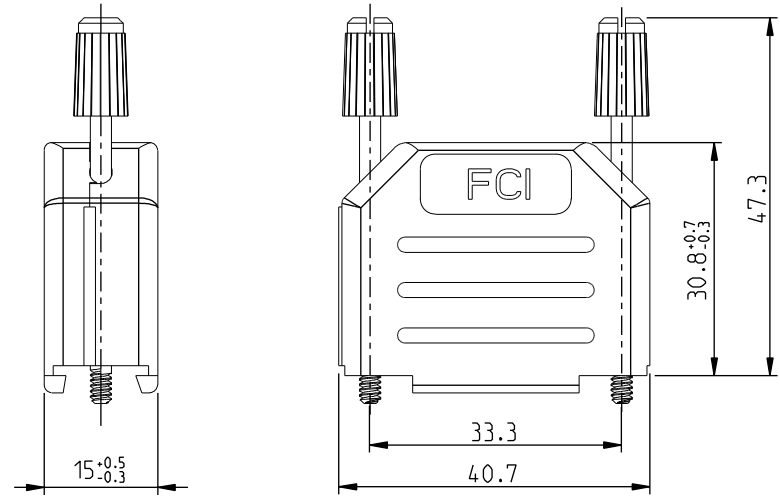
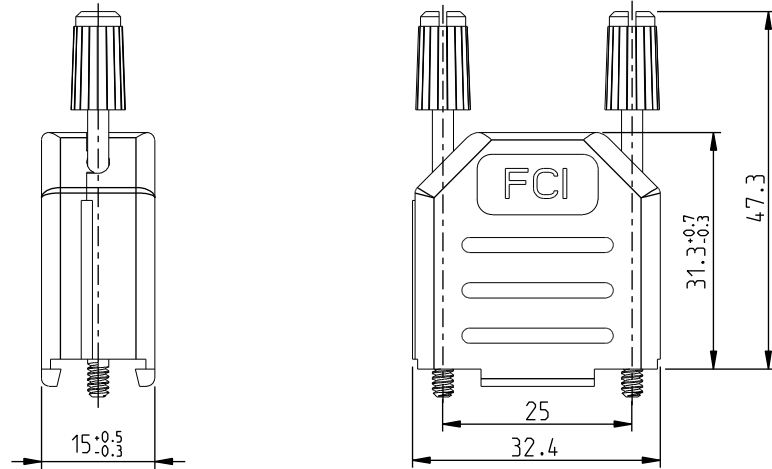
See table for colour coding



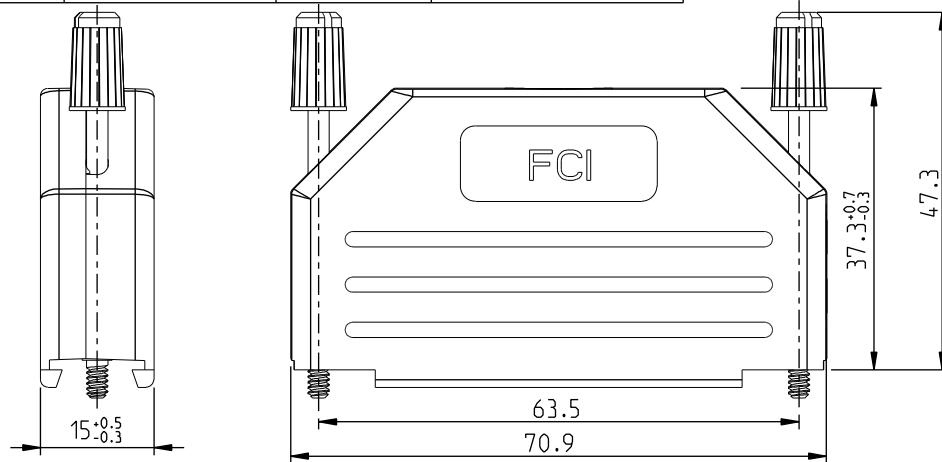
Copyright FCI.

SIZE	Part Num.	Threading	Jackscrew colour	Packaging box
9	86303637BLF	UNC 4.40	Black	Individual sets
	86553329BLF	M3	Grey	Individual sets
	86553329B100LF	M3	Grey	Individual bulks

SIZE	Part Num.	Threading	Jackscrew colour	Packaging box
15	86303638BLF	UNC 4.40	Black	Individual sets
	86553330BLF	M3	Grey	Individual sets
	86553330B100LF	M3	Grey	Individual bulks



SIZE	Part Num.	Threading	Jackscrew colour
37	86303640BLF	UNC 4.40	black
	86303645BLF	M3	grey
	86303645B100LF	M3	grey



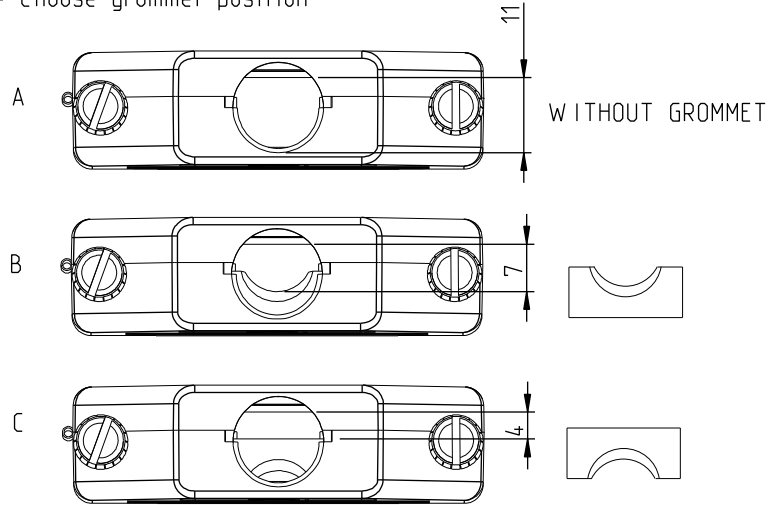
www.fciconnect.com		surface ISO 1302	tolerance std ISO 406 ISO 1101	projection	mm
		TOLERANCES UNLESS OTHERWISE SPECIFIED			
Dr	GOISNARD L 2004.03.22	ANGULAR	0.x ±/	size	Scale
Eng	PESSON M 2004.03.22	LINEAR	0.xx ±/	A3	1:1
Chr	LEGARE .P 2004.03.22	0° ±/	0.xxx ±/	ECN	F10-0083
Appr	LEGARE P 2004.03.22	Product family	D-SUB HOODS	Spec ref	-
	Title		D-SUB PLASTIC SHELLS		Rev.
	STRAIGHT SNAP-TOGETHER		dwg no	10061215C	E
	catalog no	see tables	CUSTOMER	sheet 2 of 3	

Copyright FCI.

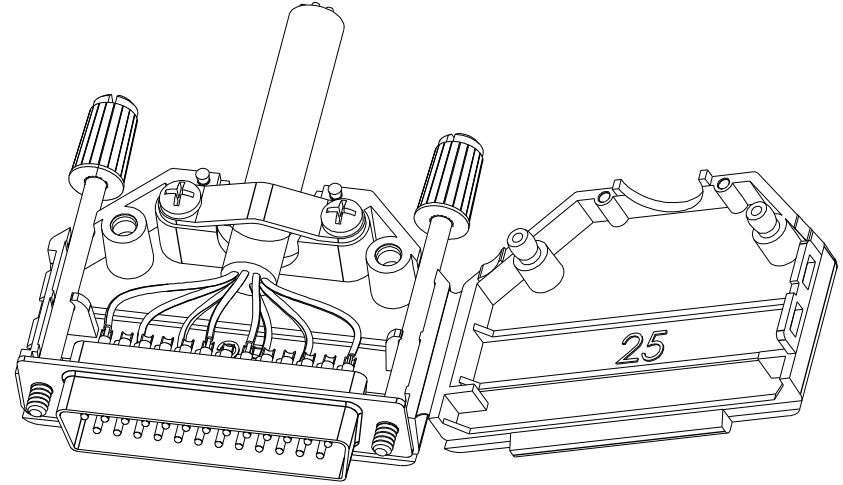
REV E - 2006-03-28

CABLING INSTRUCTIONS

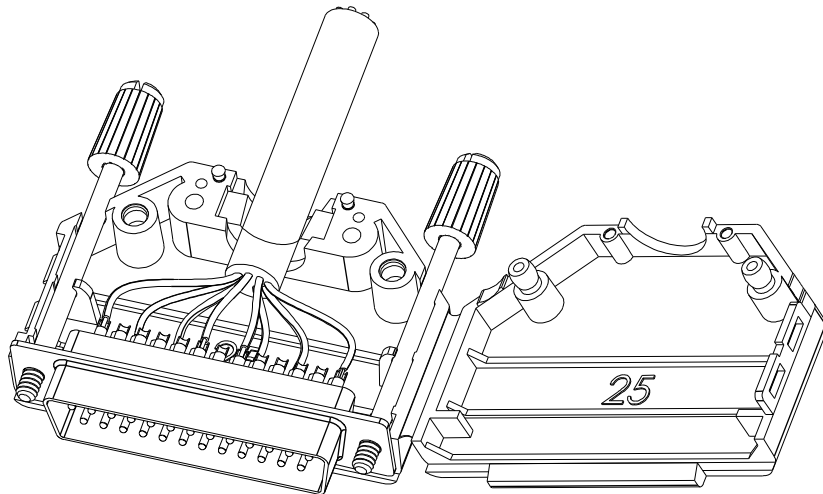
1- Choose grommet position



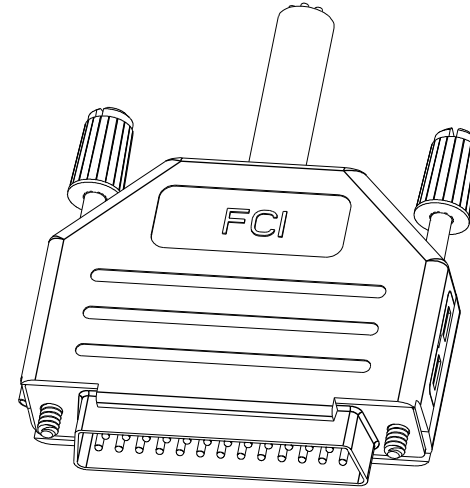
3- Mount cableclamp and screws



2- Mount connector and cable inside



4- Close the backshell and click together



Copyright FCI.

www.fciconnect.com			surface ISO 1302	✓	tolerance std ISO 406 ISO 1101	projection ⊕	mm ↔
TOLERANCES UNLESS OTHERWISE SPECIFIED						size A3	Scale 1:1
Dr	GOISNARD L	2004.03.22	ANGULAR	LINEAR	0.x	±/	ECN
Eng	PESSON M	2004.03.22			0.xx	±/	F10-0083
Chr	LEGARE .P	2004.03.22	0° ±/°		0.xxx	±/	
Appr	LEGARE P	2004.03.22	Product family		D-SUB HOODS	Spec ref	-
FCI			Title			D-SUB PLASTIC SHELLS	
			STRAIGHT SNAP-TOGETHER			10061215C	
catalog no			see tables			CUSTOMER	
						sheet 3 of 3	