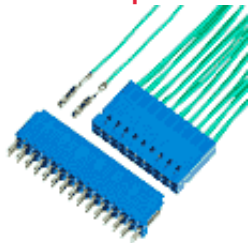


**76347-301LF -
Basics+,DUBOX™,Core Range
: Crimp-to-Wire Contact**



www.fci.com

Specifications

General	
Number of contacts	1
Number of rows	1
Product Type	Crimp-to-Wire Contact
Housing Style (Double row)	65239
Housing Style (Single row)	65240
Mating half	Mates with 0.64 mm (0.025 in.) Square Pin with Length of 5 mm (0.2 in.) min. to 5.96 mm (0.235 in.) max.
Series Number	76347
Dimensional	
Size (Wire)	22 to 30 AWG
Electrical	
Current rating	3A Continuous
Resistance (Contact)	15 M-ohms max.
Voltage rating	1000V rms
Mechanical	
Insertion force	1.3N
Withdrawal Force	0.3N
Physical	
Material (Contact)	Phosphor Bronze
Plating (Contact area)	0.76 µm (30 µin.) Gold
Underplating	1.27 µm (50 µin.) Nickel
Temperature (Operating - range)	-40°C to +125°C
Approvals / Certifications	
UL File Number	E66906
CSA File Number	LR46923
Approvals / Certifications	UL and CSA Approved
Other Features	
Packaging (Type)	Reel

PRODUCT NUMBER
76347-YXXLF

WHEN NEEDED, SUFFIX LETTER "LF"
INDICATES THE PRODUCT IS RoHS
COMPATIBLE, SEE NOTE 3

DEPENDS ON:
INSULATION BARREL,
WIRE BARREL AWG RANGE,
REELING METHOD,
NUMBER OF PRODUCT.
SEE TABLE SHEET 2/2.

PLATING CODE

3= 0.76µm GOLD ON CONTACT AREA.
3.81µm TIN-LEAD ON TAIL.
4= 5µm TIN-LEAD ON CONTACT AREA.
3.81µm TIN-LEAD ON TAIL.

WHEN SUFFIX "LF" IS REQUIRED, 2µm MIN MATTE
TIN OVER 1.27 MIN Ni IS SUPPLIED INSTEAD OF SnPb.

NOTES:

- 1 - TERMINAL MATERIAL: PHOSPHOR BRONZE.
- 2 - PRODUCT PACKED IN REEL.
- 3 - RoHS COMPATIBLE PRODUCT SPECIFICATIONS

a - PLATING:

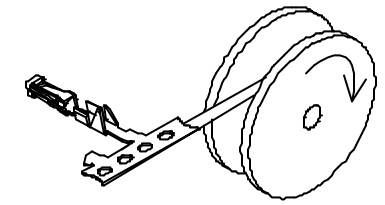
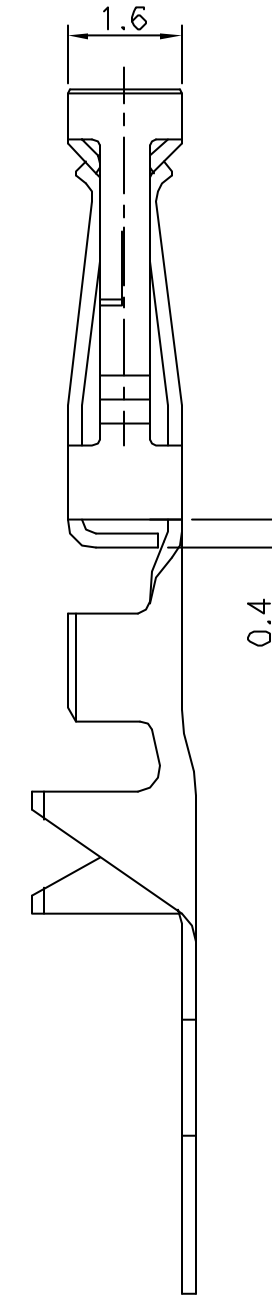
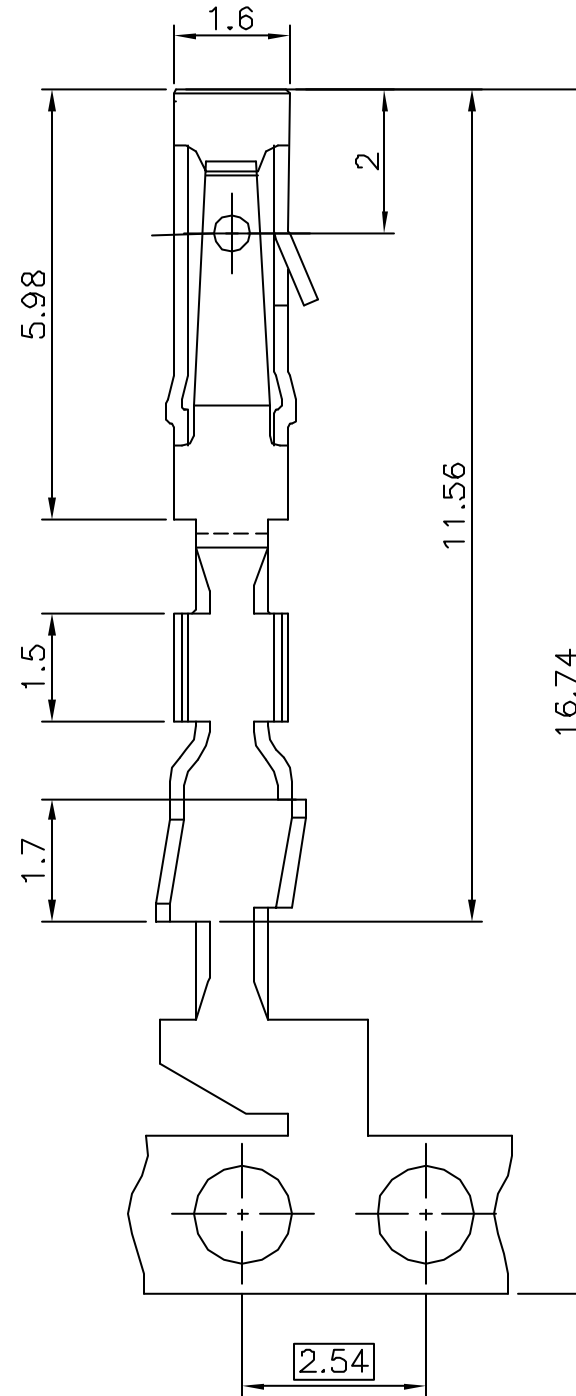
- "LF" MEANS THE PRODUCT IS LEAD-FREE,
2µm MINIMUM MATTE TIN OVER 1.27µm
MINIMUM NICKEL UNDERPLATE.

b - LABELING:

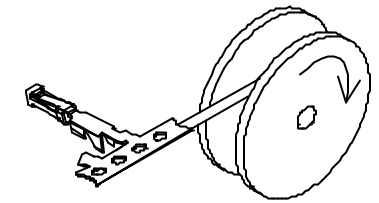
- MEETS PACKAGING SPECS AS PER GS-14-920

c - LEGAL STATEMENT: SEE GS-22-008

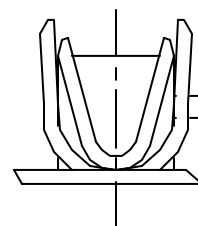
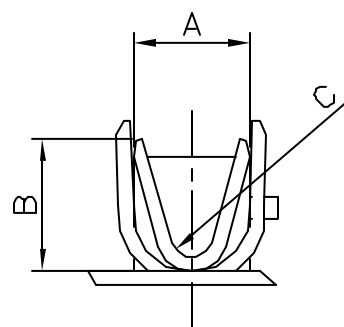
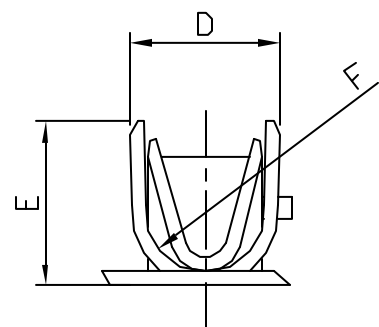
THE PRODUCT IS NOT INTENDED TO BE EXPOSED TO A



REELING METHOD P



REELING METHOD R



mat'l. code				surface ISO 1302 ✓	tolerance ISO 406 ISO 1101	projection mm	product family DUBOX	
ltr	ecn no	dr	date	tolerances unless otherwise specified		mm	title	
S	F06-0237	DLE	06.07.103	angles	±0.13		CtW CONTACT ON REEL	
L	F04-0145	DLE	04.02.25	linear		scale 10:1	sheet 1 of 2	
M	F04-0360	DLE	04.10.11	dr	G CORBOZ	00.12.22	size	
N	F04-0373	DLE	04.11.19	enr	P NIZZI	00.12.22	A3	
P	F05-0286	DLE	05.11.07	chr			76347	
R	F06-0215	DLE	06.06.30	appd	P N	00.12.22	CUSTOMER Drawing	
sheet index	revision sheet	S	D					
		1	2					

1 | 2 | 3 | 4 | 5 | 6

A | A

B | B

C | C

D | D

PRODUCT NUMBER	WIRE BARREL			INSULATION BARREL			REELING		APPLICATION DATA		
	AWG SIZE	A	B	C	INSULATION DIA RANGE	D	E	F		METHOD	PRODUCTS
76347-X01(LF)	22-30	1.6	1.6	0.3	0.9-1.5	2.1	2.6	0.8	P	15 000	TA 317
76347-X02(LF)	22-30	1.6	1.6	0.3	0.9-1.5	2.1	2.6	0.8	R	15 000	TA 317
76347-X03(LF)	22-30	1.6	1.6	0.3	0.9-1.5	2.1	2.6	0.8	R	500	TA 317
76347-X11(LF)	20-22	2.1	2.0	0.6	1.1-1.6	2.4	2.2	0.8	P	15 000	TA 317
76347-X12(LF)	20-22	2.1	2.0	0.6	1.1-1.6	2.4	2.2	0.8	R	15 000	TA 317
76347-X41(LF)	28-32	1.7	1.0	0.3	0.55-0.8	1.3	1.3	0.3	P	15 000	TA 340
76347-X42(LF)	28-32	1.7	1.0	0.3	0.55-0.8	1.3	1.3	0.3	R	15 000	TA 340



Copyright FCI

mat'l. code				surface <input checked="" type="checkbox"/> ISO 1302 <input type="checkbox"/> ISO 406 <input type="checkbox"/> ISO 1101		tolerance		projection		product family DUBOX	
ltr				ecn no		dr		date		title	
A				F10103		GCO		00.12.22		CtW CONTACT ON REEL	
B				F10527		GSA		01.09.20		mm	
C				F04-0373		DLE		04.11.19		scale 2.5:1	
D				F06-0215		DLE		06.06.30		FCI	
sheet index				revision sheet		dr		G CORBOZ 00.12.22		dwg no 76347 sheet 2 of 2 size A3	
						enr		P NIZZI 00.12.22		type CUSTOMER Drawing	
						chr					
						appd		P N 00.12.22			

form A3 | 1 | 2 | 3 | 4 | 5 | 6