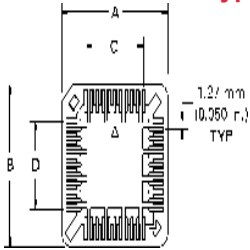


69802-144LF - PLCC :
Surface Mount Type Sockets



www.fci.com

Specifications

| | |
|-----------------------------------|------------------|
| General | |
| Location Peg | No |
| Number of contacts | 44 |
| Product Style | PLCC |
| Electrical | |
| Current rating | 1 amp |
| Resistance (Contact) | 20 m ohms max. |
| Resistance (Insulation) | 1000 M ohms min. |
| Voltage rating | 120V AC/DC |
| Mechanical | |
| Durability (Mating cycles) | 25 Cycles |
| Insertion force | 19 lbs max. |
| Withdrawal Force | 2 lbs max. |
| Mounting | |
| Mounting style | Surface Mount |
| Physical | |
| Color (Housing) | Brown |
| Material (Contact) | Copper Alloy |
| Material (Housing) | PPS, UL94V-0 |
| Plating (Inner clip / Contact) | 150µ" Pure Tin |
| Underplating (Contact) | 40µ" Nickel |
| Temperature (Range) | -55°C to 125°C |
| Approvals / Certifications | |
| Approvals / Certifications | UL Approved |
| Other Features | |
| Packaging (Type) | Tube |



Copyright FCI.

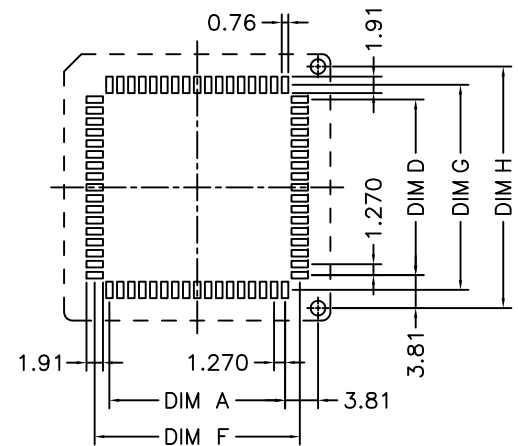
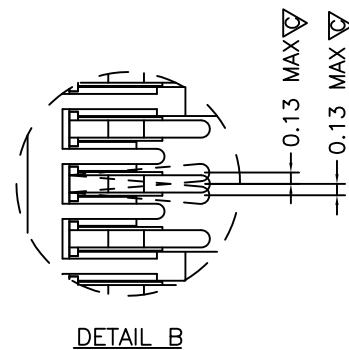
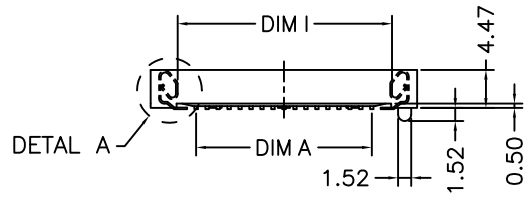
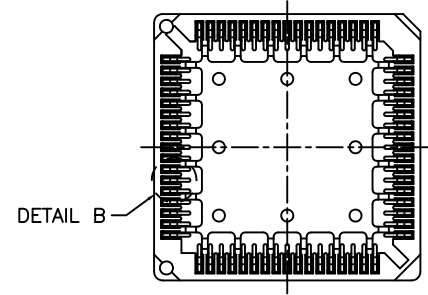
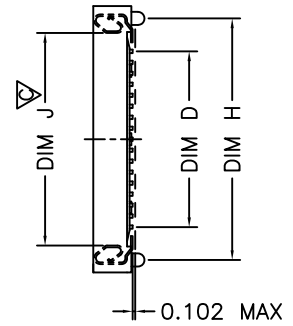
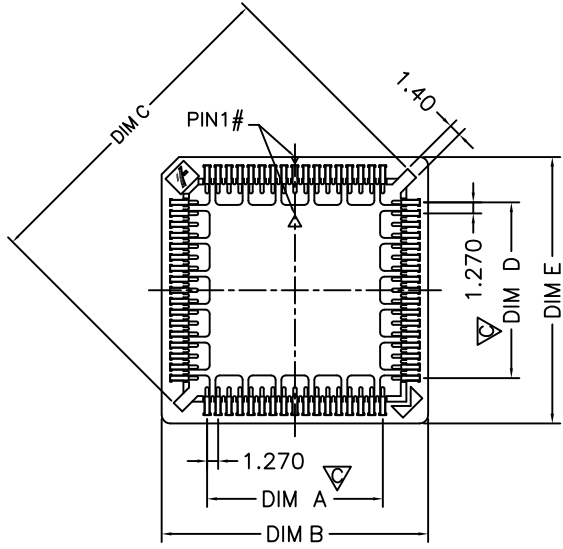
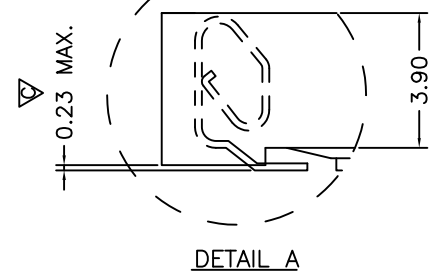


FIG. 1



NOTE: DIMENSIONAL MARK ∇ TO BE CHECKED BY OQC.

| rev | ecn no | dr | date |
|-----|----------|----|----------|
| Y | T10136 | JH | 3/18/01 |
| AA | T03-0452 | JH | 10/15/03 |
| AB | T05-0017 | JH | 1/24/05 |
| AC | T05-0114 | JH | 5/9/05 |
| AD | T05-0212 | JH | 9/21/05 |
| AE | T06-0070 | JH | 5/8/06 |
| AF | T11-0002 | JH | 1/11/11 |

| | | | | | | |
|--------------------|-------------|---------|---|---------------|-----------------|--------------|
| www.fciconnect.com | | | surface <input checked="" type="checkbox"/> | tolerance std | projection | MM |
| | | | TOLERANCES UNLESS OTHERWISE SPECIFIED | | | |
| Dr | Jason Hsu | 1/11/11 | ANGULAR | 0.X ±0.25 | size | A4 |
| Eng | Jason Hsu | 1/11/11 | LINEAR | 0.XX ±0.15 | ECN | T11-0002 |
| Chr | Gary Hsieh | 1/11/11 | 0° ±5° | 0.XXX ±0.10 | Scale | N/A |
| Appr | Joseph Hsia | 1/11/11 | Product family | | Spec ref | |
| | | | title | | PLCC SMT Socket | Rev. |
| | | | catalog no | | - | AF |
| | | | dwg no | | 69802 | sheet 1 of 5 |
| | | | CUSTOMER | | | |

REV F - 2006-04-17

TABLE I

| NO. OF CONTACTS | DIM. A ±0.20 | DIM. B ±0.20 | DIM. C ±0.20 | DIM. D ±0.20 | DIM. E MAX. | DIM. F ±0.10 | DIM. G ±0.10 | DIM. H ±0.20 | DIM. I ±0.20 | DIM. J ±0.20 |
|-----------------|-----------------|-----------------|-----------------|-----------------|----------------|-----------------|-----------------|-----------------|-----------------|-----------------|
| 20 | 5.08 | 15.24 | 16.70 | 5.08 | 15.24 | 8.48 | 8.48 | 12.70 | 9.40 | |
| 28 | 7.62 | 17.78 | 20.30 | 7.62 | 17.78 | 11.02 | 11.02 | 15.24 | 11.94 | |
| 32 | 7.62 | 17.78 | 22.50 | 10.16 | 20.32 | 11.02 | 13.56 | 17.78 | 11.94 | 14.48 |
| 44 | 12.70 | 22.86 | 27.50 | 12.70 | 22.86 | 16.10 | 16.10 | 20.32 | 17.02 | |
| 52 | 15.24 | 25.40 | 31.10 | 15.24 | 25.40 | 18.64 | 18.64 | 22.86 | 19.56 | |
| 68 | 20.32 | 30.82 | 38.30 | 20.32 | 30.82 | 23.72 | 23.72 | 27.94 | 24.64 | |
| 84 | 25.40 | 35.90 | 45.50 | 25.40 | 35.90 | 28.80 | 28.80 | 33.02 | 29.72 | |

TABLE II

| PART NO. | WITH POLARIZING PEGS | PACKAGING BY PVC TUBE | PACKAGING BY TAPE & REEL | MCK PART NO. |
|-------------|----------------------|-----------------------|--------------------------|----------------------|
| 69802-0XX | ✓ | ✓ | | PLCC-XXP-T-SMT-P |
| 69802-1XX | | ✓ | | PLCC-XXP-T-SMT |
| 69802-4XX | | | ✓ | PLCC-XXP-T-SMT-TR |
| 69802-0XXPT | ✓ | ✓ | | PLCC-XXP-T-SMT-P-PT |
| 69802-1XXPT | | ✓ | | PLCC-XXP-T-SMT-PT |
| 69802-4XXPT | | | ✓ | PLCC-XXP-T-SMT-TR-PT |
| 69802-0XXLF | ✓ | ✓ | | PLCC-XXP-T-SMT-P-LF |
| 69802-1XXLF | | ✓ | | PLCC-XXP-T-SMT-LF |
| 69802-4XXLF | | | ✓ | PLCC-XXP-T-SMT-TR-LF |

NOTE:

ORDERING DATA: 69802 - X XX XX

LF: LEAD FREE
 PT: PURE TIN PLATED.
 BLANK; TIN/LEAD PLATED.
 NO OF CONTACTS
 SEE TABLE II



Copyright FCI.

| | | | | | | | | |
|--------------------|-------------|---------|---|---------------|------------|--------------|---------|--------------|
| www.fciconnect.com | | | surface - <input checked="" type="checkbox"/> | tolerance std | projection | MM | | |
| | | | TOLERANCES UNLESS OTHERWISE SPECIFIED | | | | | |
| Dr | Jason Hsu | 1/11/11 | ANGULAR | LINEAR | 0.X | ± 0.25 | size A4 | Scale N/A |
| Eng | Jason Hsu | 1/11/11 | | 0.XX | ± 0.15 | | | |
| Chr | Gary Hsieh | 1/11/11 | 0° ± 5° | 0.XXX | ± 0.10 | ECN T11-0002 | | |
| Appr | Joseph Hsia | 1/11/11 | Product family | | | Spec ref | | |
| | | | title PLCC SMT Socket | | | dmg no 69802 | | Rev. AF |
| | | | catalog no - | | | CUSTOMER | | sheet 2 of 5 |

A

A

NOTES:

1. MATERIAL:

1-1 HOUSING : PPS GB8411,UL94V-0 COLOR IN BROWN.
PLATING : 150u" TIN/LEAD OR PURE TIN MIN. OVER 40u" NICKEL MIN.
CONTACT : PHOSPHOR BRONZE C5212RH.

2. THE "FCI" LOGO IS LOCATED AS SHOWN.

3. RECOMMEND PCB LAYOUT IS SHOWN IN FIG.1.

4. COPLANARITY REQUIREMENT;

A. CONTACT MUST BE BELOW HOUSING BOTTOM SURFACE WITHIN 0.23MM.
B. CONTACT SEATING LINE MUST BE WITHIN 0.102MM.

5. THE POSITION OF PIN#1 IN THE CENTER PAD IS AS SHOWN.
20P, 28P NOT MOLDED ON THE EMBOSSED ARROW.

6. THE PACKAGING INFORMATION SHOWS ON SHEET 4 &5.

7. PRODUCT SPECIFICATION; GES-12-158.

8. MANUFACTURING PROCESS COMPATIBILITY: THE HOUSING WILL WITHSTAND EXPOSURE TO 245°C PEAK TEMPERATURE FOR 5 SECOND IN A IR REFLOW APPLICATION.

B

B



C

C

Copyright FCI.

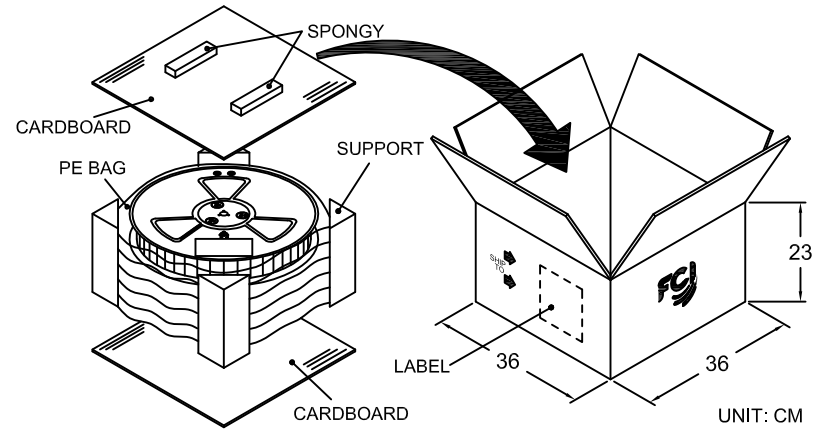
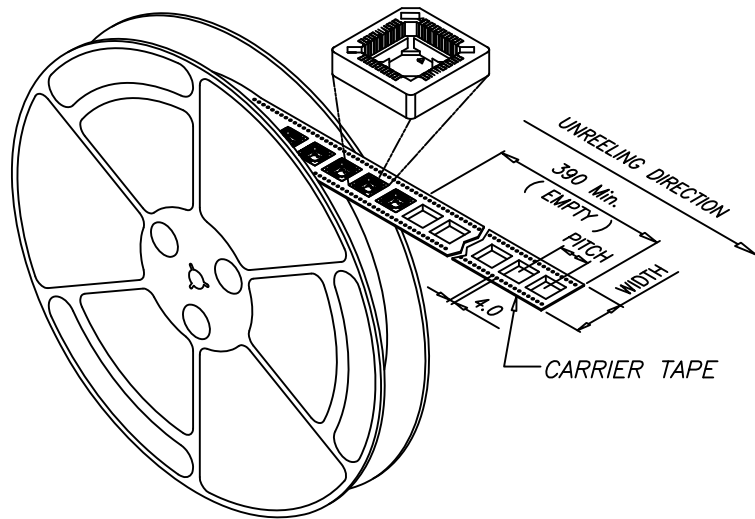
D

D

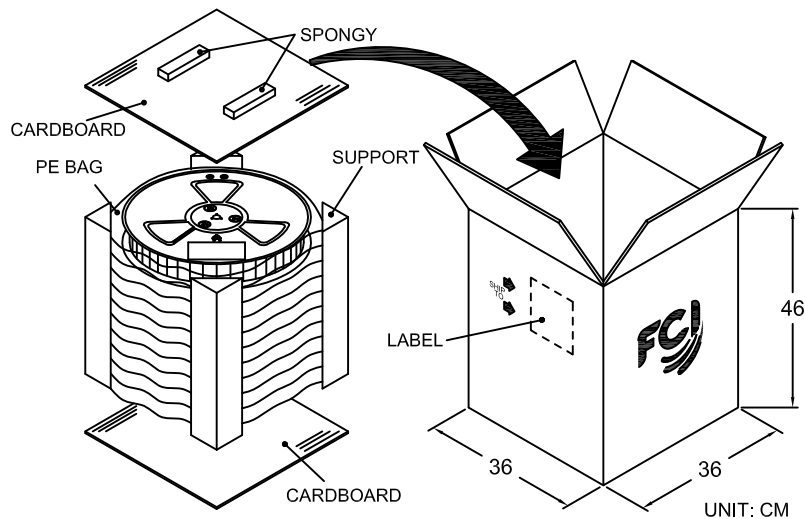
| | | | | | | | | | | | |
|--------------------|-------------|---------|---|--------|---------------|--------|--------------|----|--------------|--|--|
| www.fciconnect.com | | | surface <input checked="" type="checkbox"/> | | tolerance std | | projection | | MM | | |
| | | | TOLERANCES UNLESS OTHERWISE SPECIFIED | | | | | | | | |
| Dr | Jason Hsu | 1/11/11 | ANGULAR | LINEAR | 0.X | ± 0.25 | size | A4 | Scale | | |
| Eng | Jason Hsu | 1/11/11 | | | 0.XX | ± 0.15 | | | N/A | | |
| Chr | Gary Hsieh | 1/11/11 | 0° | ±5° | 0.XXX | ± 0.10 | ECN | | T11-0002 | | |
| Appr | Joseph Hsia | 1/11/11 | Product family | | | | Spec ref | | | | |
| | | | title PLCC SMT Socket | | | | dwg no 69802 | | Rev. AF | | |
| | | | catalog no - | | | | CUSTOMER | | sheet 3 of 5 | | |

A
B
C
D

A
B
C
D



PACKING FOR 20P,28P,52P,680 & 84P



PACKING FOR 32P & 44P

TABLE III

| NO. OF PIN. | WIDTH | PITCH | PCS/REEL | REEL/CARTON | TOTAL (PCS) |
|-------------|-------|-------|----------|-------------|-------------|
| 20P | 24.0 | 24.00 | 470 | 6 | 2820 |
| 28P | 32.0 | 24.00 | 390 | 5 | 1950 |
| 32P | 32.0 | 24.00 | 390 | 10 | 3900 |
| 44P | 44.0 | 32.00 | 250 | 8 | 2000 |
| 52P | 44.0 | 32.00 | 250 | 4 | 1000 |
| 68P | 44.0 | 36.00 | 220 | 4 | 880 |
| 84P | 56.0 | 40.00 | 200 | 3 | 600 |

*REEL DIAMETER: \varnothing 13 in"

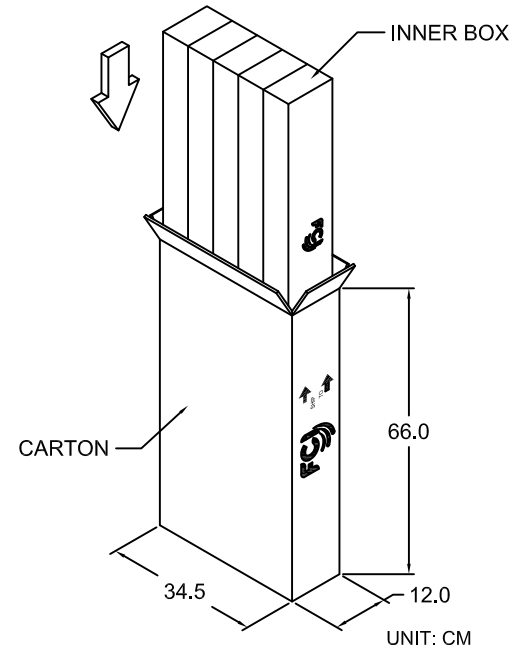


Copyright FCI.

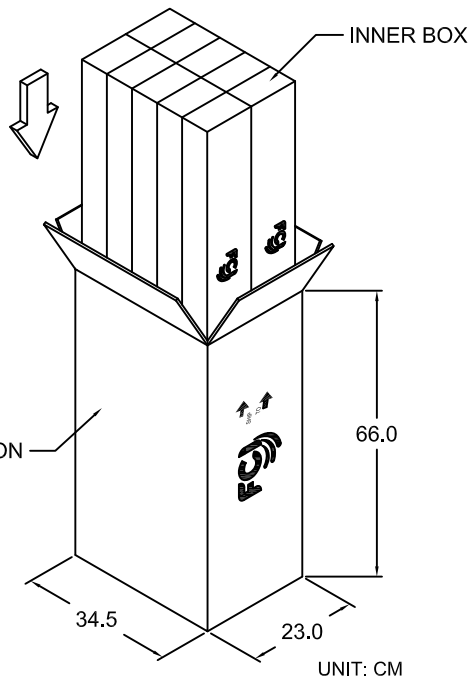
| | | | | | |
|--------------------|-------------|---|---------------|------------|--------------|
| www.fciconnect.com | | surface <input checked="" type="checkbox"/> | tolerance std | projection | MM |
| | | TOLERANCES UNLESS OTHERWISE SPECIFIED | | | |
| Dr | Jason Hsu | 1/11/11 | ANGULAR | size | A4 |
| Eng | Jason Hsu | 1/11/11 | LINEAR | 0.X ±0.25 | Scale N/A |
| Chr | Gary Hsieh | 1/11/11 | 0° ±5° | 0.XX ±0.15 | |
| Appr | Joseph Hsia | 1/11/11 | 0.XXX ±0.10 | ECN | T11-0002 |
| Product family | | | | Spec ref | |
| title | | PLCC SMT Socket | | dwg no | 69802 |
| catalog no | | - | | CUSTOMER | sheet 4 of 5 |
| | | | | Rev. | AF |

TABLE IV

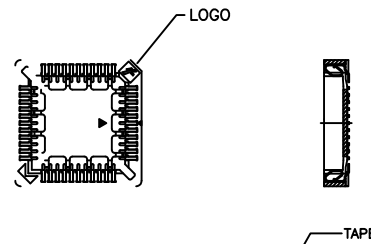
| A / P PART NO. | 69802-X20X | 69802-X28X | 69802-X32X | 69802-X44X | 69802-X52X | 69802-X68X | 69802-X84X |
|--|------------|------------|------------|------------|------------|------------|------------|
| DESCRIPTION | 20P | 28P | 32P | 44P | 52P | 68P | 84P |
| PCS / TUBE | 37 | 32 | 28 | 25 | 23 | 18 | 16 |
| PCS / INNER BOX | 1110 | 832 | 728 | 500 | 460 | 270 | 224 |
| INNER BOX / CARTON (WITH SOCKET) | 3 | 4 | 10 | 10 | 4 | 5 | 5 |
| INNER BOX / CARTON (W / O SOCKET) | 2 | 1 | 0 | 0 | 1 | 0 | 0 |
| TOTAL (PCS) | 3330 | 3328 | 7280 | 5000 | 1840 | 1350 | 1120 |
| N.W. | 3.2 KG | 4.2 KG | 10.0 KG | 8.5 KG | 3.2 KG | 3.75 KG | 3.5 KG |
| G.W. | 6.5 KG | 8.0 KG | 18.0 KG | 17.0 KG | 7.0 KG | 8.3 KG | 8.0 KG |



PACKING FOR 20P,28P,52P,680 & 84P



PACKING FOR 32P & 44P



| | | | | | | |
|--------------------|-------------|---------|---|---------------|----------------|--------------|
| www.fciconnect.com | | | surface - <input checked="" type="checkbox"/> | tolerance std | projection | MM |
| | | | TOLERANCES UNLESS OTHERWISE SPECIFIED | | | |
| Dr | Jason Hsu | 1/11/11 | ANGULAR | 0.X ± 0.25 | size | A4 |
| Eng | Jason Hsu | 1/11/11 | LINEAR | 0.XX ± 0.15 | ECN | Scale N/A |
| Chr | Gary Hsieh | 1/11/11 | 0° ± 5° | 0.XXX ± 0.10 | Product family | T11-0002 |
| Appr | Joseph Hsia | 1/11/11 | Product family | | Spec ref | |
| | | | title PLCC SMT Socket | | dwg no 69802 | Rev. AF |
| | | | catalog no - | | CUSTOMER | sheet 5 of 5 |