

Aluminum Enclosed Motor Disconnect Switch



- NEMA Type 4 Tested
- Excellent in harsh weather conditions
- UV resistant
- Resistant to many chemicals
- IP66 Protection Level
- Lockable and Defeatable Handle



Lockable with up to 3 padlocks.



Lockable with up to 3 padlocks.

Catalog Number

Black Handle

Yellow/ Red Handle

No. of Poles
General Purpose Current
Maximum Voltage
Motor FLA @ 480V AC
Motor FLA @ 600V AC

KEA325UL	KEA340UL
KEA325ULY/R	KEA340ULY/R
3 (4 pole - KER425UL (Y/R))	3 (4 pole - KER440UL (Y/R))
25A	40A
600V AC	600V AC
17.5A	28A
11A	18A

KEA325UL	KEA340UL
KEA325ULY/R	KEA340ULY/R
3 (4 pole - KER425UL (Y/R))	3 (4 pole - KER440UL (Y/R))
25A	40A
600V AC	600V AC
17.5A	28A
11A	18A

Horsepower Rating /HP

110-120V AC
200V AC
208V AC
220-240V AC
265V AC
277V AC
380-415V AC
440-480V AC
550-600V AC

1 Phase	3 Phase
1	2
2	5
2	5
3	7.5
3	7.5
3	7.5
5	10
7.5	15
5	10

1 Phase	3 Phase
2	3
3	7.5
3	7.5
5	10
5	10
5	10
7.5	15
10	20
7.5	15

Short Circuit Withstand Rating at 600 V with Max. Fuse Size/Class:

K5
RK5
RK1
J

10kA
50A
50A
80A
80A

10kA
50A
50A
80A
80A

Terminal Size Acceptability

(Cu Conductors only, 75°C)

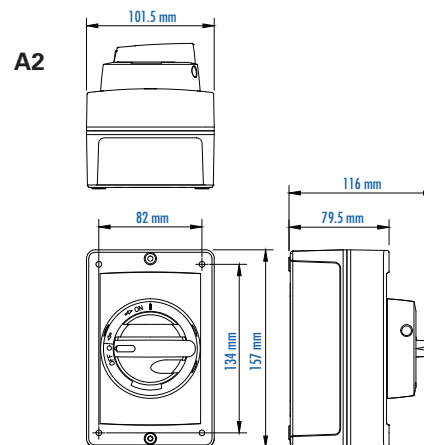
16 lb. in.
NEMA Type 4
A2

14-8AWG
16 lb. in.
NEMA Type 4
A2

14-8AWG
16 lb. in.
NEMA Type 4
A2

Dimensions

(to convert to inches multiply by 0.03937)



Weight

0.8kg (1.76 lb.)

0.8kg (1.76 lb.)

Suitable Accessories

Auxiliary Contacts

KU1.V, KU2.V

KU1.V, KU2.V

* 16A model also available, please contact Altech.

Aluminum Enclosed Motor Disconnect Switch



Lockable with up to 3 padlocks.



Lockable with up to 3 padlocks.



Lockable with up to 3 padlocks.



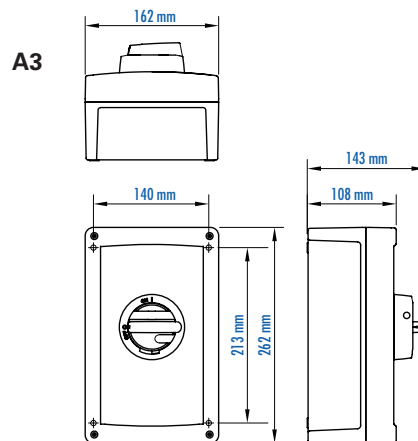
Lockable with up to 3 padlocks.

KEA360UL KEA360ULY/R	
3 (4 pole - KER460UL (Y/R))	
60A	
600V AC	
34A	
27A	
1 Phase	3 Phase
3	5
5	10
5	10
5	10
5	10
7.5	10
10	20
15	25
15	25
10kA	
60A	
60A (80A@480V AC)	
100A	
100A	
12-4AWG	
16 lb. in.	
NEMA Type 4	
A3	

KEA380UL KEA380ULY/R	
3 (4 pole - KER480UL (Y/R))	
80A	
600V AC	
-	
47A	
1 Phase	3 Phase
3	7.5
7.5	10
7.5	15
7.5	15
10	20
10	20
15	25
20	30
25	40
10kA	
150A	
150A	
-	
200A	
8-1/0AWG	
50 lb. in.	
NEMA Type 4	
A3	

KEA3100UL KEA3100ULY/R	
3 (4 pole - KER4100UL (Y/R))	
100A	
600V AC	
-	
54A	
1 Phase	3 Phase
3	7.5
7.5	15
7.5	15
10	20
10	20
10	20
15	30
20	40
30	50
10kA	
150A	
150A	
-	
200A	
8-1/0AWG	
50 lb. in.	
NEMA Type 4	
A3	

KEA3125UL KEA3125ULY/R	
3 (4 pole - KER4125UL (Y/R))	
125A	
600V AC	
-	
68A	
1 Phase	3 Phase
5	10
10	20
10	20
15	25
15	25
15	30
20	40
30	50
30	60
10kA	
150A	
150A	
-	
200A	
8-1/0AWG	
50 lb. in.	
NEMA Type 4	
A3	



2.0kg (4.41 lb.)
KU1.V, KU2.V

2.3kg (5.07 lb.)
VKA1.V, VKA2.V

2.3kg (5.07 lb.)
VKA1.V, VKA2.V

2.3kg (5.07 lb.)
VKA1.V, VKA2.V