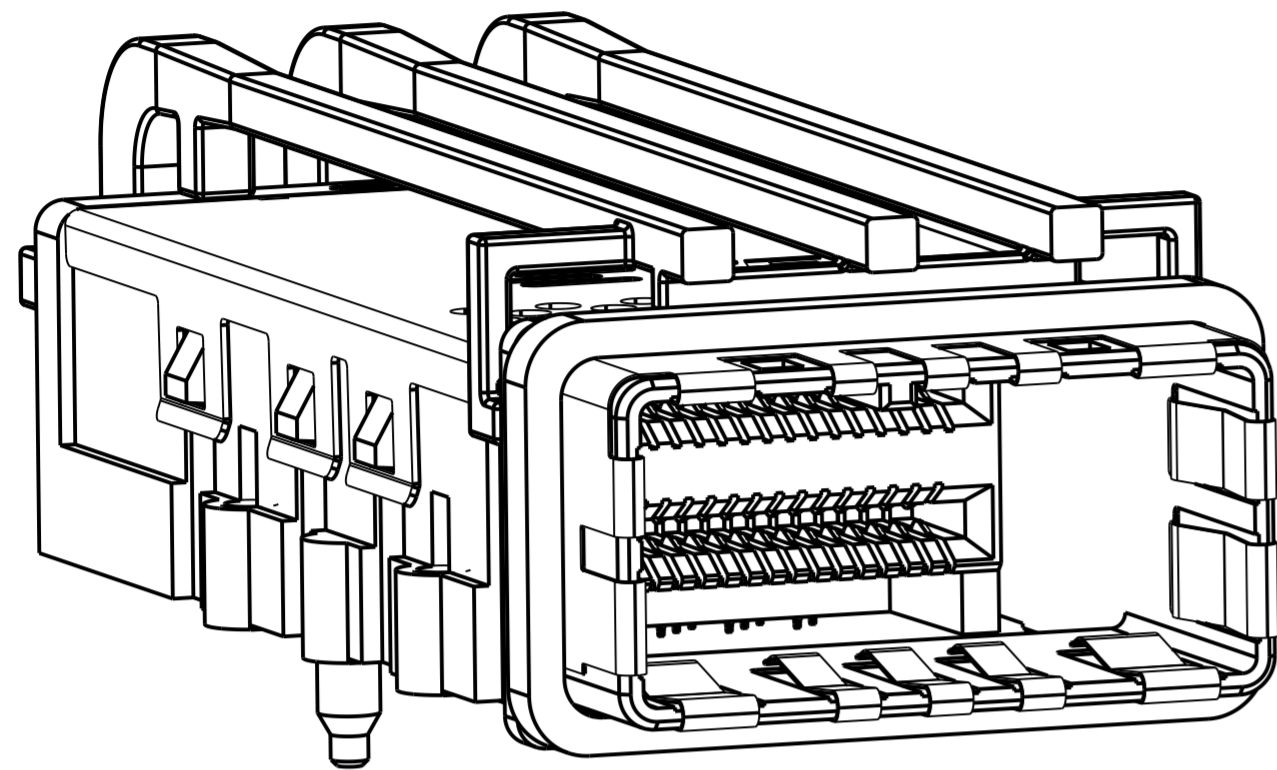
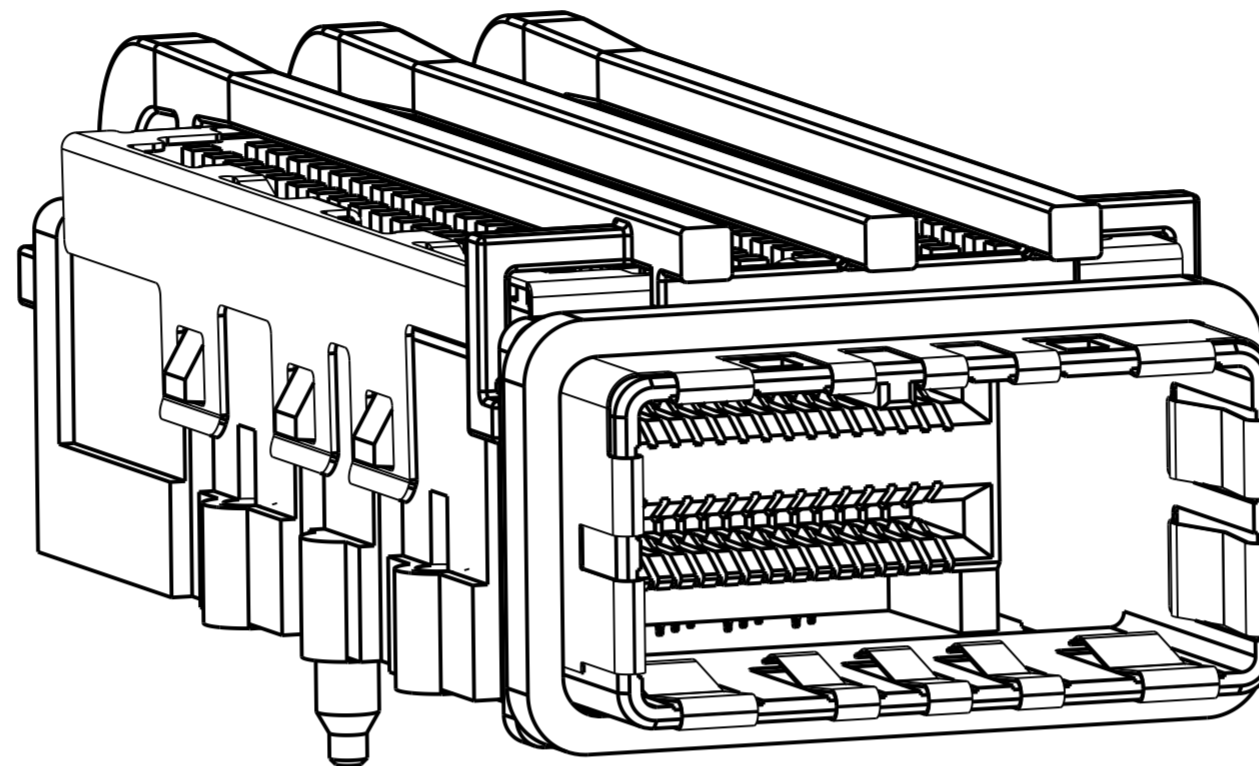


THIS DRAWING IS UNPUBLISHED. RELEASED FOR PUBLICATION 20
 © COPYRIGHT 20 BY - ALL RIGHTS RESERVED.

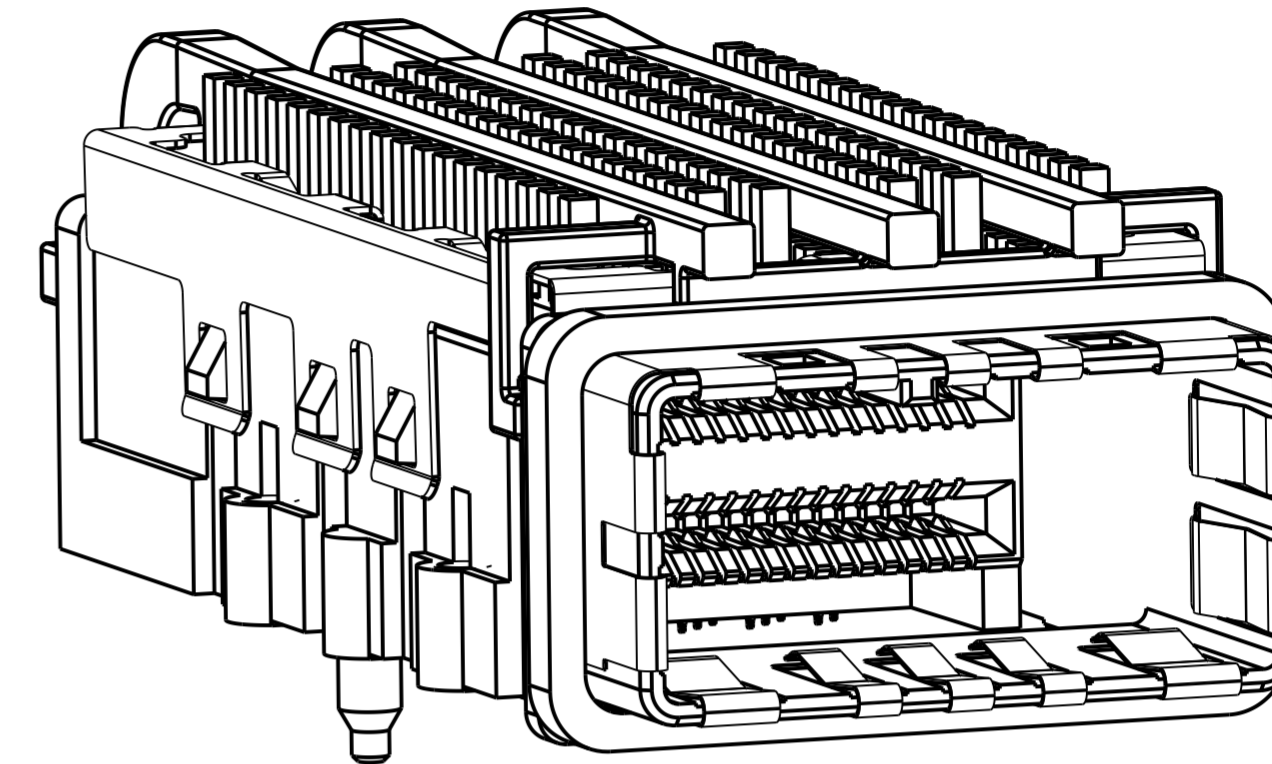
REVISIONS				
P	LTR	DESCRIPTION	DATE	APVD
A		RELEASED ECO-14-003843	31MAR2014	LAW SB



2149159-1
SCALE 4:1




2149159-3
SCALE 4:1



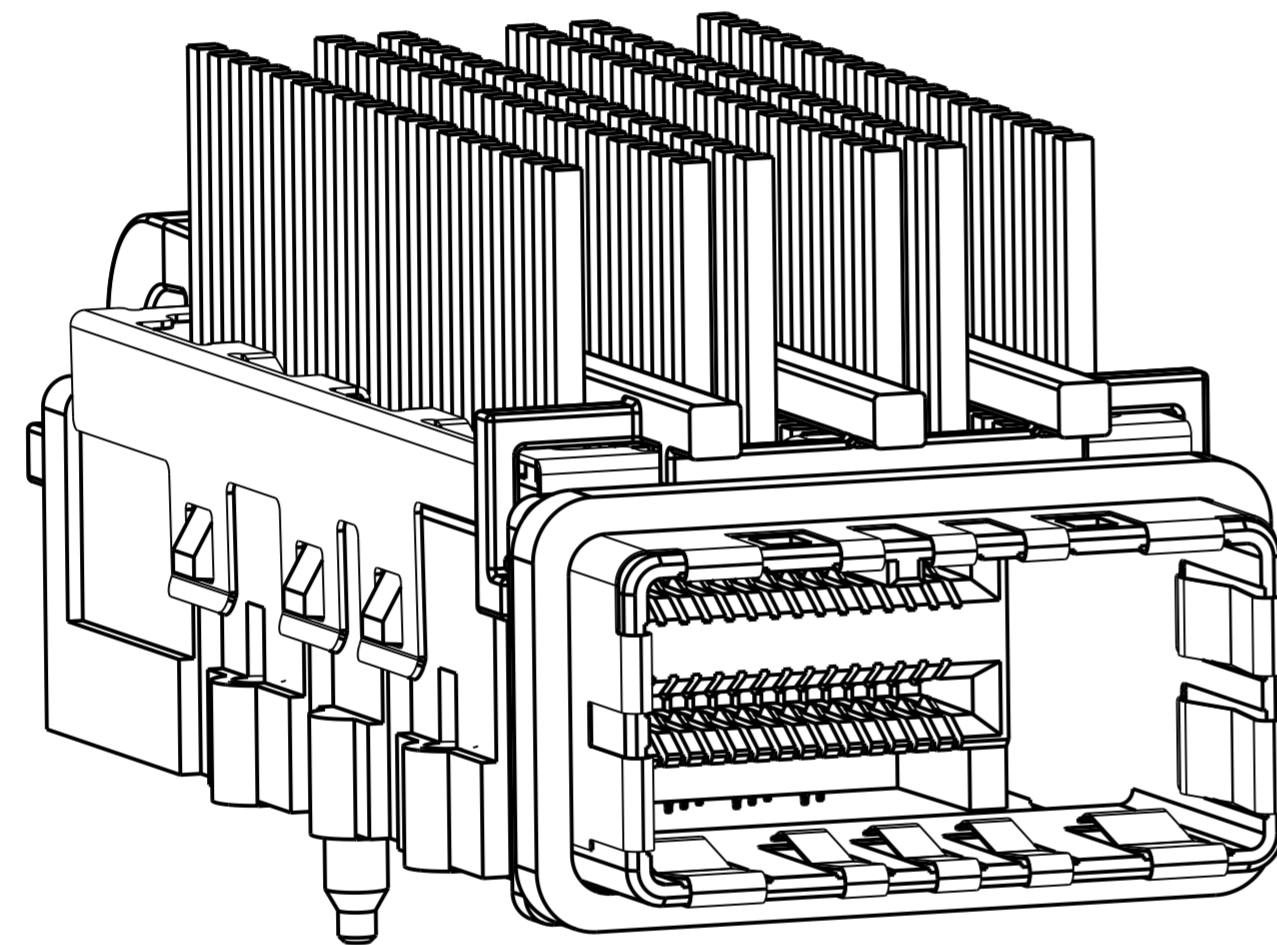
2149159-5
SCALE 4:1

OBSOLETE	23.5	2149448-2	△3	84 POSITION RECEPTACLE ASSEMBLY WITH LIGHTPIPE AND HEAT SINK	2149159-8
	23.5	2149448-1	△2	84 POSITION RECEPTACLE ASSEMBLY WITH LIGHTPIPE AND HEAT SINK	2149159-7
OBSOLETE	16.5	2149448-2	△3	84 POSITION RECEPTACLE ASSEMBLY WITH LIGHTPIPE AND HEAT SINK	2149159-6
	16.5	2149448-1	△2	84 POSITION RECEPTACLE ASSEMBLY WITH LIGHTPIPE AND HEAT SINK	2149159-5
OBSOLETE	14.2	2149448-2	△3	84 POSITION RECEPTACLE ASSEMBLY WITH LIGHTPIPE AND HEAT SINK	2149159-4
	14.2	2149448-1	△2	84 POSITION RECEPTACLE ASSEMBLY WITH LIGHTPIPE AND HEAT SINK	2149159-3
OBSOLETE	-	2149448-2	△3	884 POSITION RECEPTACLE ASSEMBLY WITH LIGHTPIPE	2149159-2
	-	2149448-1	△2	84 POSITION RECEPTACLE ASSEMBLY WITH LIGHTPIPE	2149159-1
E		RECEPTACLE HOUSING SUB-ASSEMBLY	FINISH	DESCRIPTION	PART NUMBER

THIS DRAWING IS A CONTROLLED DOCUMENT. DIMENSIONING AND TOLERANCING PER ASME Y14.5M-2009		DWN M.E. COWHER 09 JUN 2010	 TE Connectivity
DIMENSIONS: mm		CHK M.D. MORRISON 10 JUN 2010	
TOLERANCES UNLESS OTHERWISE SPECIFIED:		APVD M.D. MORRISON 10 JUN 2010	NAME RECEPTACLE ASSEMBLY WITH LIGHTPIPE AND HEAT SINK, 84 POSITION, CXP
0 PLC ±0.15 1 PLC ±0.15 2 PLC ±0.15 3 PLC ± 4 PLC ± ANGLES ± FINISH ±		PRODUCT SPEC 108-2426	SIZE A2
MATERIAL		APPLICATION SPEC 114-13283	CAGE CODE 00779
		WEIGHT -	DRAWING NO C-2149159
		Customer Drawing	RESTRICTED TO -
		SCALE 1:1	SHEET 1 OF 5
			REV A

THIS DRAWING IS UNPUBLISHED. RELEASED FOR PUBLICATION 20
 © COPYRIGHT 20 BY - ALL RIGHTS RESERVED.

REVISIONS				
P	LTR	DESCRIPTION	DATE	APVD
-		SEE SHEET 1	-	-



2149159-7
 SCALE 4:1

- 1 MATERIALS:
 HOUSING - ZINC ALLOY
 EMI GASKET - CONDUCTIVE URETHANE FOAM
 RECEPTACLE HOUSING - LCP, BLACK, UL 94V-0 RATED
 CHICKLET - LCP, BLACK, UL 94V-0 RATED
 CONTACT - PHOSPHOR BRONZE
 EMI SPRING - COPPER ALLOY
 HEAT SINK - ALUMINUM
 CLIP, HEAT SINK - STAINLESS STEEL
 LIGHTPIPE - POLYCARBONATE, CLEAR

- 2 FINISH:
 CONTACT - CONFORMS TO THE REQUIREMENTS OF TE
 PRODUCT SPECIFICATION 108-2426, BASED ON EIA/ECA-364-1000.01A,
 (CONTROLLED ENVIRONMENT APPLICATIONS) ON MATING INTERFACE,
 MATTE TIN PLATE OVER NICKEL UNDERPLATE ON COMPLIANT PIN
 HOUSING & HEAT SINK - NICKEL PLATE

3 NOTE DELETED

4 PCB THICKNESS = 1.57 MIN

5 FOR HOLE SIZE AND FINISHES, SEE APPLICATION SPEC 114-13283

6 THE ENTIRE AREA OF THE CONNECTOR FOOTPRINT, INDICATED
 BY CROSSHATCHING, TO BE CONSIDERED THE KEEPOUT AREA FOR
 COMPONENTS AND SIGNAL TRACES, TOP SIDE ONLY, TOP SIDE
 TRACES ALLOWED WITHIN CONNECTOR HOLE PATTERN, CROSSHATCHING
 TO BE CONDUCTIVE

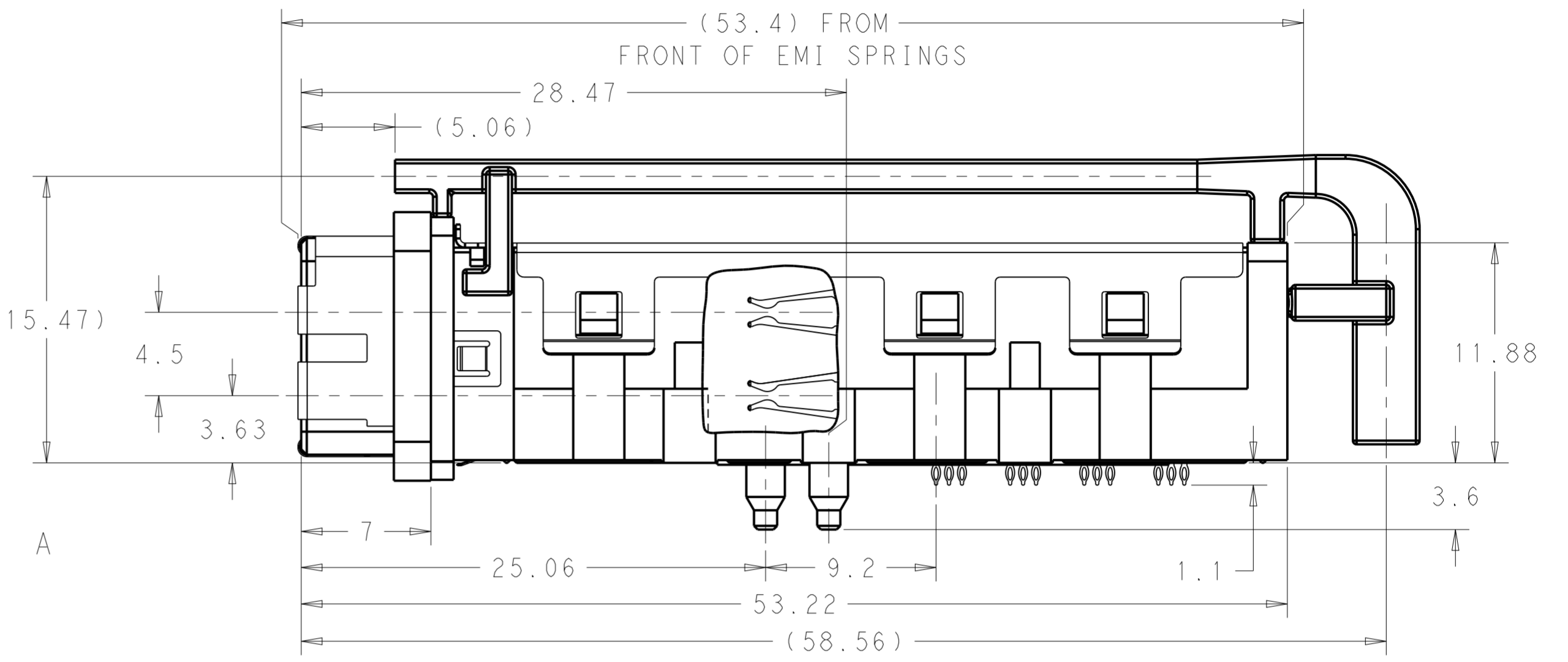
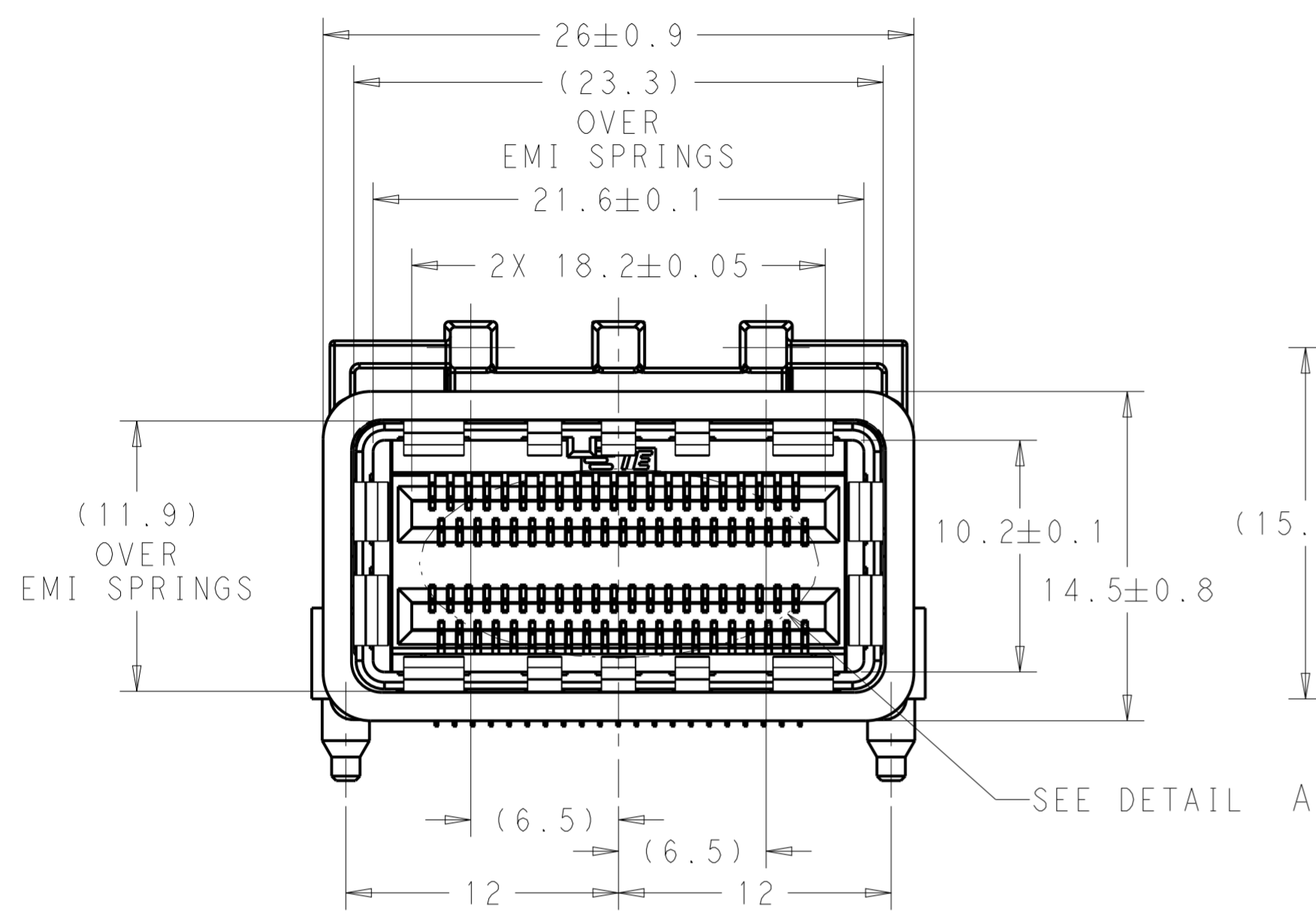
7. MOUNTING HARDWARE REQUIRED:
 M2x0.4 (4)
 MOUNTING SCREW LENGTH = BOARD THICKNESS PLUS 4mm MAX

8. COMPONENTS PACKAGED UNASSEMBLED

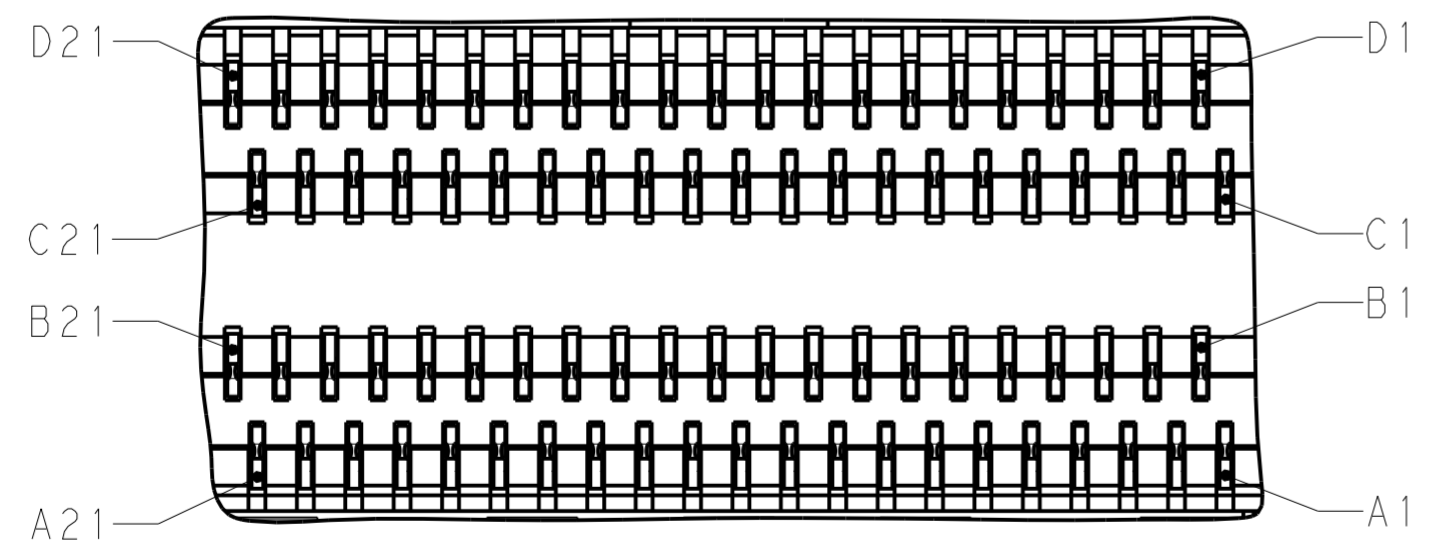
THIS DRAWING IS A CONTROLLED DOCUMENT. DIMENSIONING AND TOLERANCING PER ASME Y14.5M-2009		DWN M. E. COWHER 09 JUN 2010	TE Connectivity	
DIMENSIONS: mm		CHK M. D. MORRISON 10 JUN 2010		
TOLERANCES UNLESS OTHERWISE SPECIFIED: 0 PLC ±0.15 1 PLC ±0.15 2 PLC ±0.15 3 PLC ± 4 PLC ± ANGLES ± FINISH		APVD M. D. MORRISON 10 JUN 2010	RECEPTACLE ASSEMBLY WITH LIGHTPIPE AND HEAT SINK, 84 POSITION, CXP	
MATERIAL		PRODUCT SPEC 108-2426	SIZE	
1		APPLICATION SPEC 114-13283	CAGE CODE	
2		WEIGHT	DRAWING NO	
		Customer Drawing	A200779	
		SCALE 1:1	DRAWING NO C-2149159	
		SHEET 2 OF 5	RESTRICTED TO	
		REV A		

THIS DRAWING IS UNPUBLISHED. RELEASED FOR PUBLICATION 20
 © COPYRIGHT 20 BY - ALL RIGHTS RESERVED.

REVISIONS				
P	LTR	DESCRIPTION	DATE	APVD
-		SEE SHEET 1	-	-



2149159-1
 SCALE 4:1

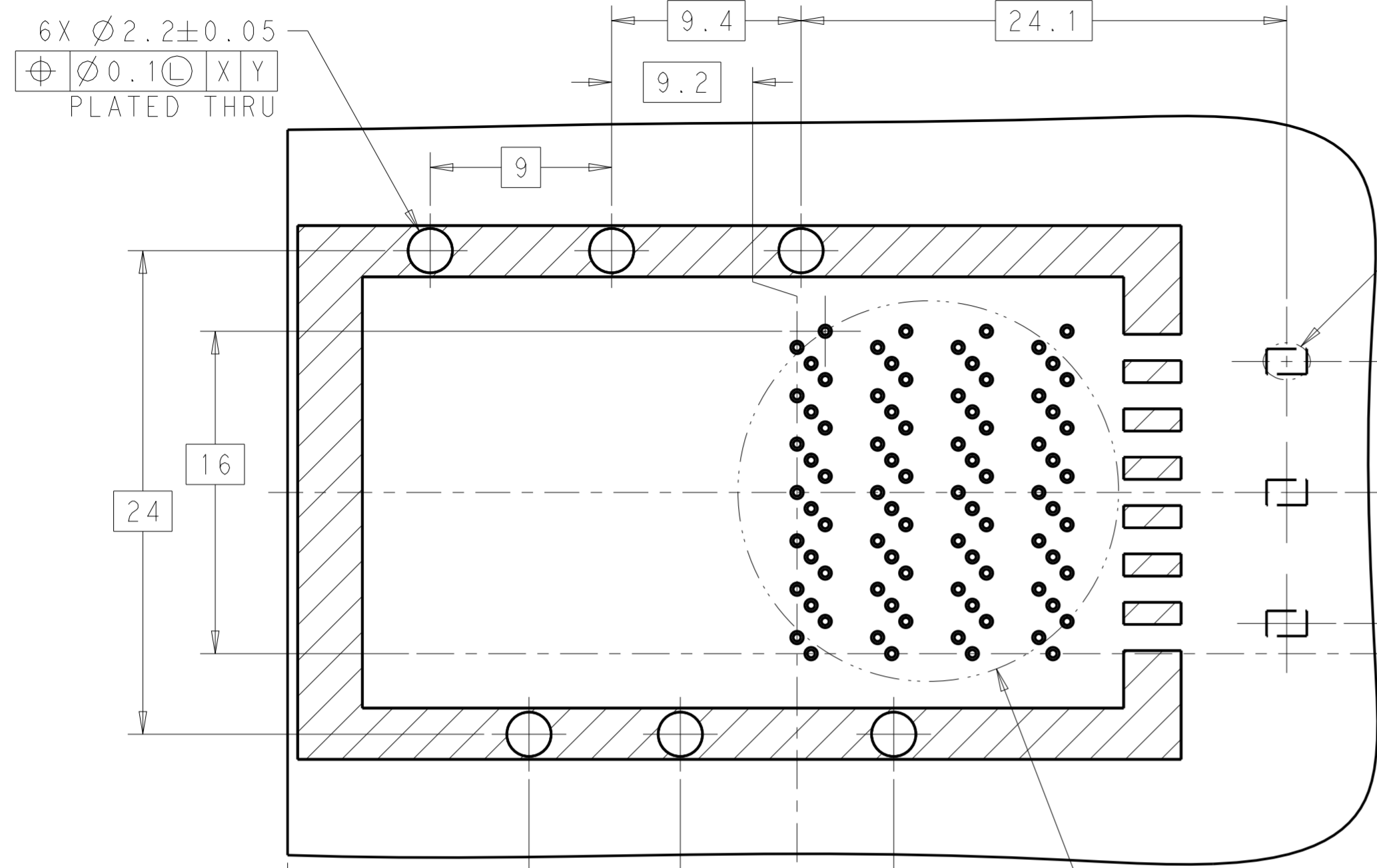


DETAIL A
 RECOMMENDED PIN CALLOUT
 SCALE 8:1

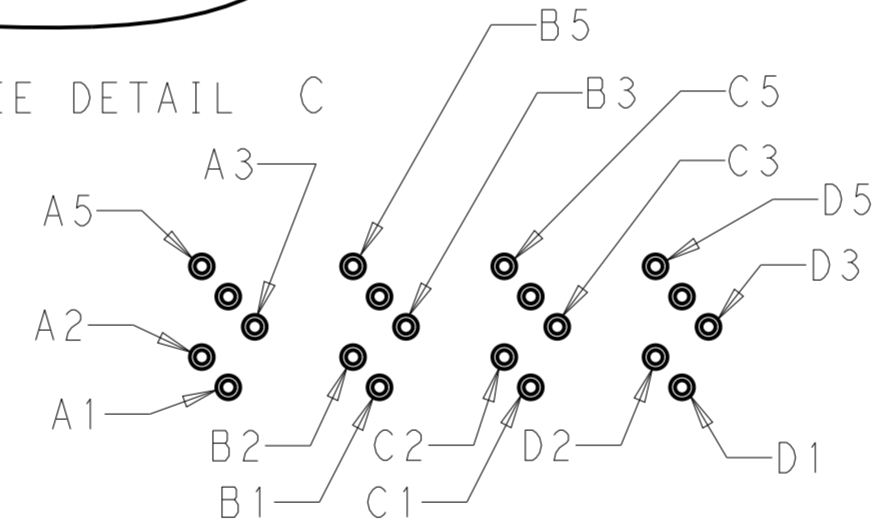
THIS DRAWING IS A CONTROLLED DOCUMENT. DIMENSIONING AND TOLERANCING PER ASME Y14.5M-2009		DWN 09 JUN 2010 M. E. COWHER	 TE Connectivity	NAME		
DIMENSIONS: mm		CHK 10 JUN 2010 M. D. MORRISON		RECEPTACLE ASSEMBLY WITH LIGHTPIPE AND HEAT SINK, 84 POSITION, CXP		
TOLERANCES UNLESS OTHERWISE SPECIFIED:		APVD 10 JUN 2010 M. D. MORRISON		SIZE	CAGE CODE	DRAWING NO
0 PLC ±0.15 1 PLC ±0.15 2 PLC ±0.15 3 PLC ± 4 PLC ± ANGLES ± FINISH ±		PRODUCT SPEC 108-2426		A200779	C-2149159	RESTRICTED TO
MATERIAL		APPLICATION SPEC 114-13283	WEIGHT	SCALE 1:1	SHEET 3 OF 5	REV A
		Customer Drawing				

THIS DRAWING IS UNPUBLISHED. RELEASED FOR PUBLICATION 20
 © COPYRIGHT 20 BY - ALL RIGHTS RESERVED.

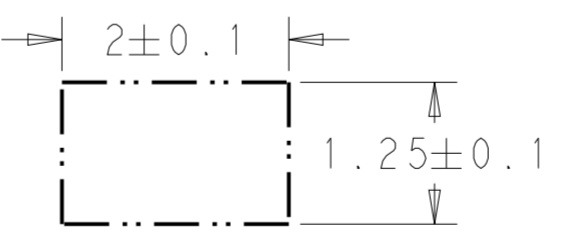
REVISIONS				
P	LTR	DESCRIPTION	DATE	APVD
-	-	SEE SHEET 1	-	-



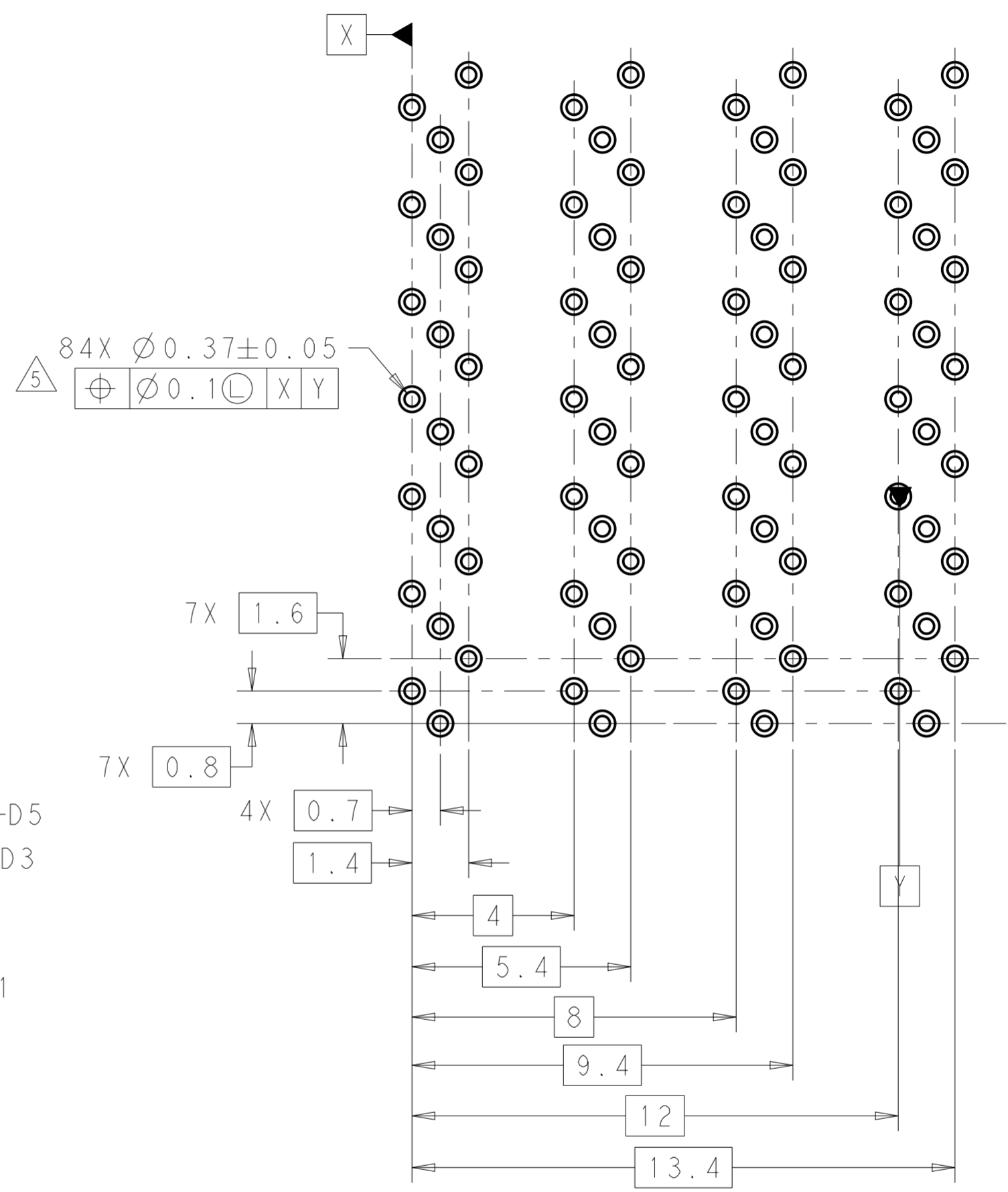
RECOMMENDED PCB LAYOUT COMPONENT SIDE SHOWN SCALE 4:1



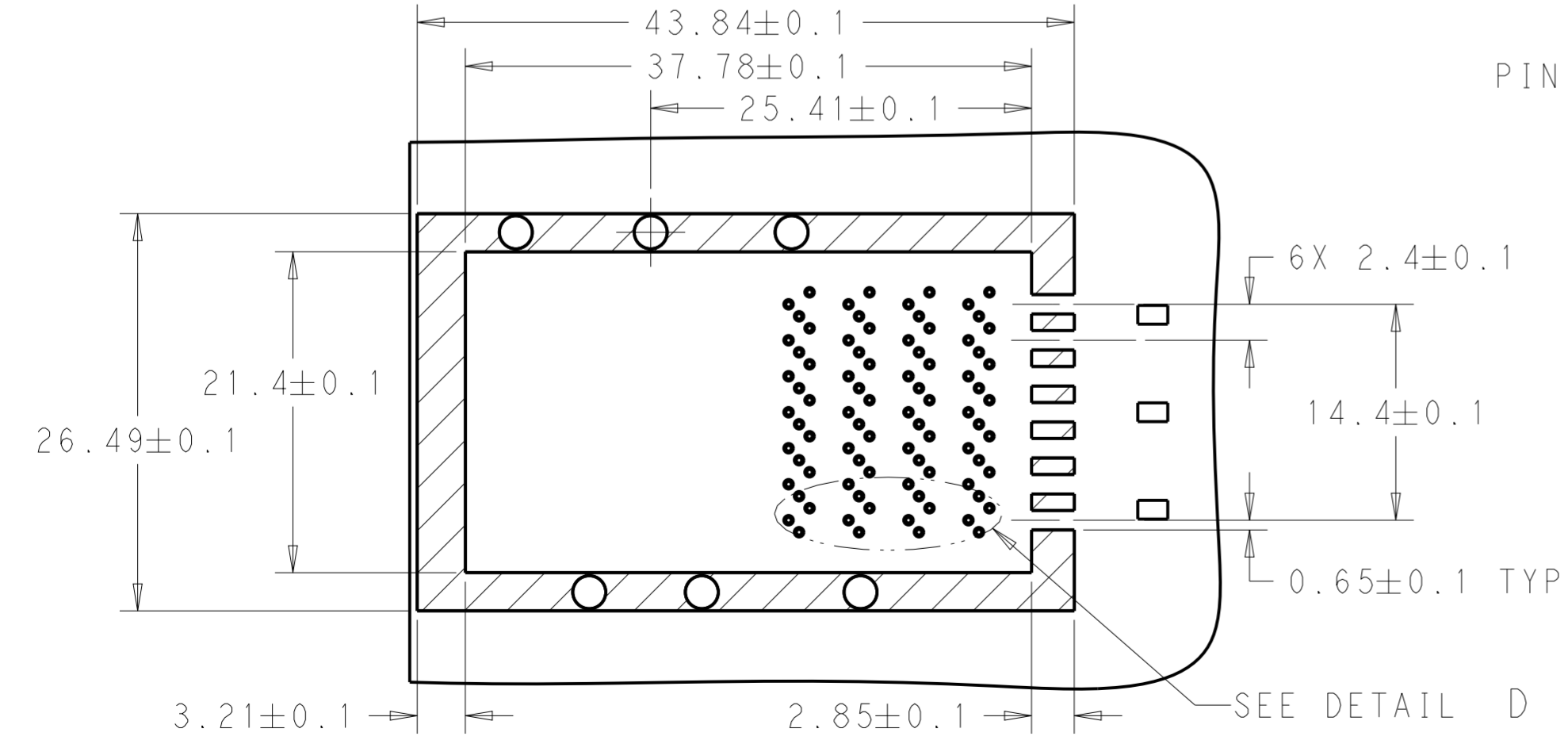
DETAIL D
PIN CALLOUT (TYPICAL)
SCALE 5:1



DETAIL F
3X INDIVIDUALLY
SCALE 15:1



DETAIL C
RECOMMENDED CONNECTOR LAYOUT
SCALE 8:1

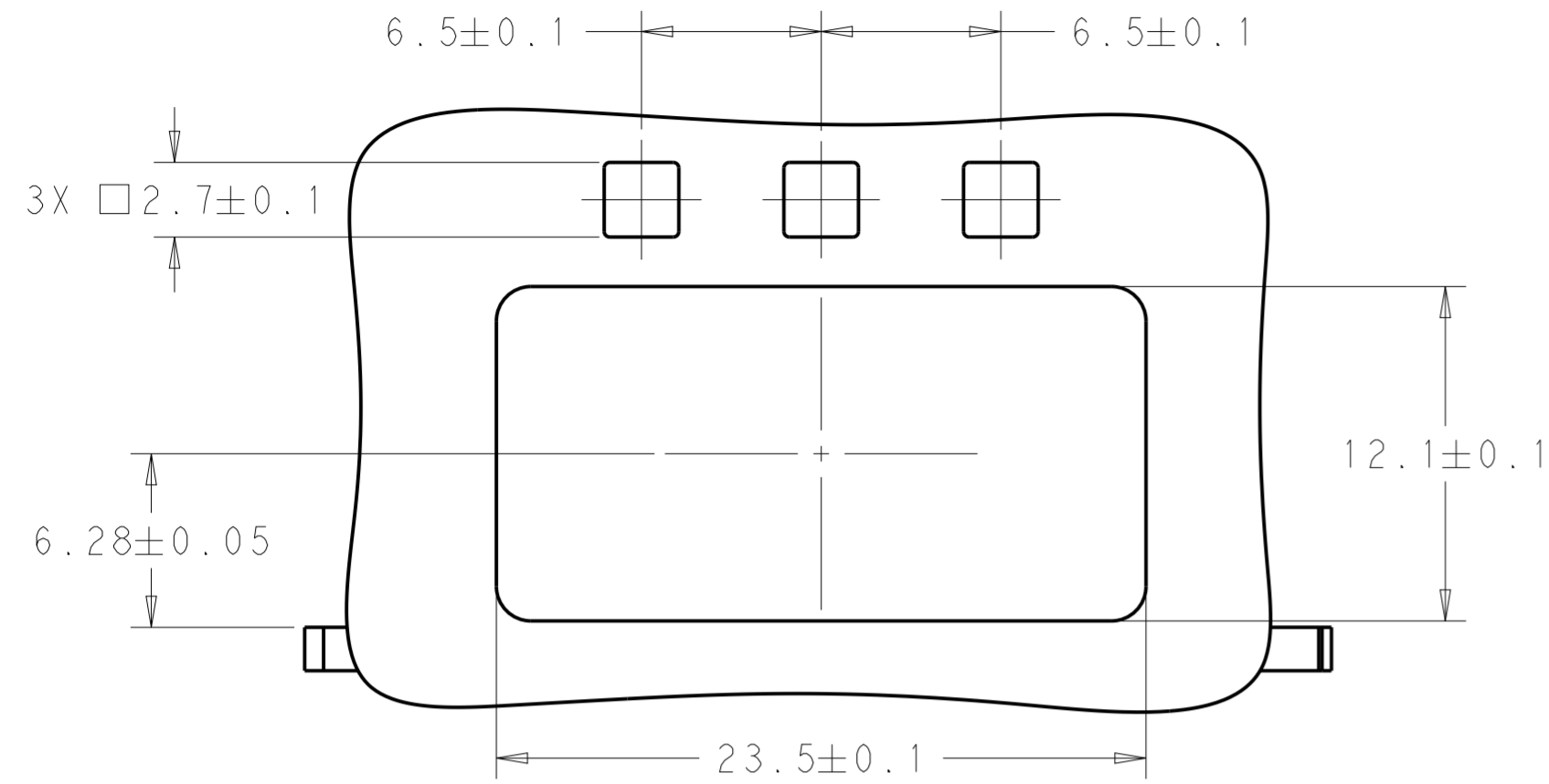


RECOMMENDED KEEPOUT AREA
SCALE 5:2

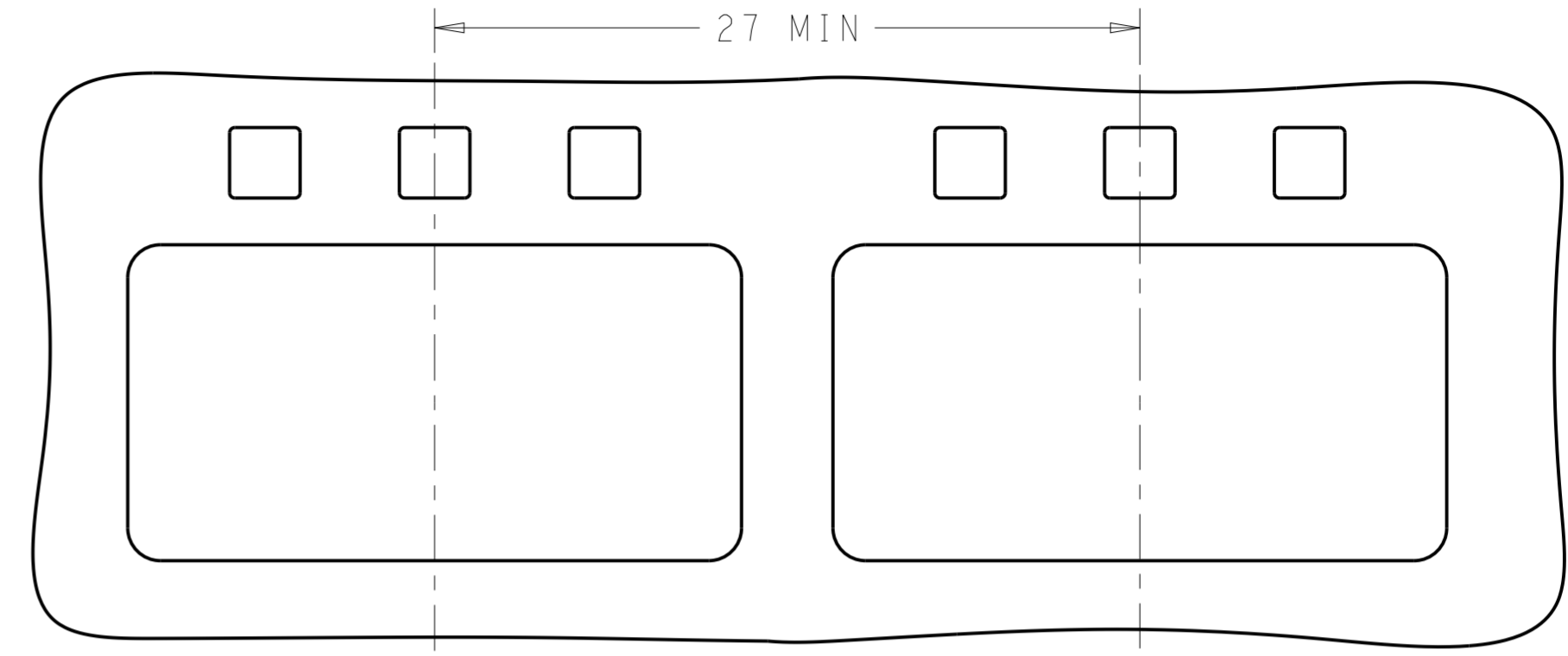
THIS DRAWING IS A CONTROLLED DOCUMENT. DIMENSIONING AND TOLERANCING PER ASME Y14.5M-2009		DWN M. E. COWHER 09 JUN 2010	TE Connectivity
DIMENSIONS: mm		CHK M. D. MORRISON 10 JUN 2010	
TOLERANCES UNLESS OTHERWISE SPECIFIED:		APVD M. D. MORRISON 10 JUN 2010	NAME RECEPTACLE ASSEMBLY WITH LIGHTPIPE AND HEAT SINK, 84 POSITION, CXP
0 PLC ±0.15	1 PLC ±0.15	PRODUCT SPEC 108-2426	SIZE A200779
2 PLC ±0.15	3 PLC ±	APPLICATION SPEC 114-13283	CAGE CODE C-2149159
4 PLC ±	ANGLES ±	WEIGHT -	DRAWING NO -
MATERIAL FINISH		Customer Drawing	RESTRICTED TO -
		SCALE 1:1	SHEET 4 OF 5 REV A

THIS DRAWING IS UNPUBLISHED. RELEASED FOR PUBLICATION 20
 © COPYRIGHT 20 BY - ALL RIGHTS RESERVED.

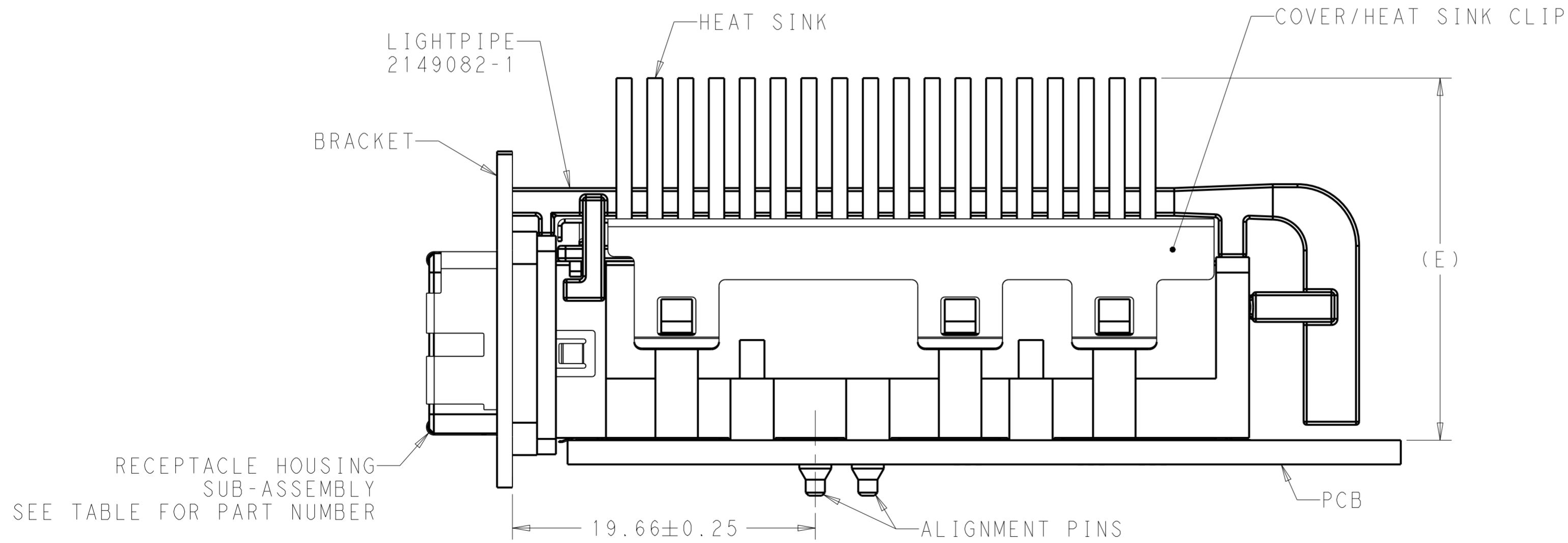
REVISIONS				
P	LTR	DESCRIPTION	DATE	APVD
-	-	SEE SHEET 1	-	-



RECOMMENDED BRACKET CUT-OUT
SCALE 4:1



RECOMMENDED BRACKET CUT-OUT SPACING
SCALE 4:1



RECOMMENDED BRACKET LOCATION AND
HEIGHT OF HEAT SINK MEASURED FROM PCB
SCALE 4:1

THIS DRAWING IS A CONTROLLED DOCUMENT. DIMENSIONING AND TOLERANCING PER ASME Y14.5M-2009		DWN 09 JUN 2010 M. E. COWHER	 TE Connectivity
DIMENSIONS: mm		CHK 10 JUN 2010 M. D. MORRISON	
TOLERANCES UNLESS OTHERWISE SPECIFIED:		APVD 10 JUN 2010 M. D. MORRISON	
0 PLC ±0.15 1 PLC ±0.15 2 PLC ±0.15 3 PLC ± 4 PLC ± ANGLES ± FINISH ±		NAME RECEPTACLE ASSEMBLY WITH LIGHTPIPE AND HEAT SINK, 84 POSITION, CXP PRODUCT SPEC 108-2426 APPLICATION SPEC 114-13283 WEIGHT -	
MATERIAL		Customer Drawing	SIZE CAGE CODE DRAWING NO RESTRICTED TO A200779 C-2149159 SCALE 1:1 SHEET 5 OF 5 REV A