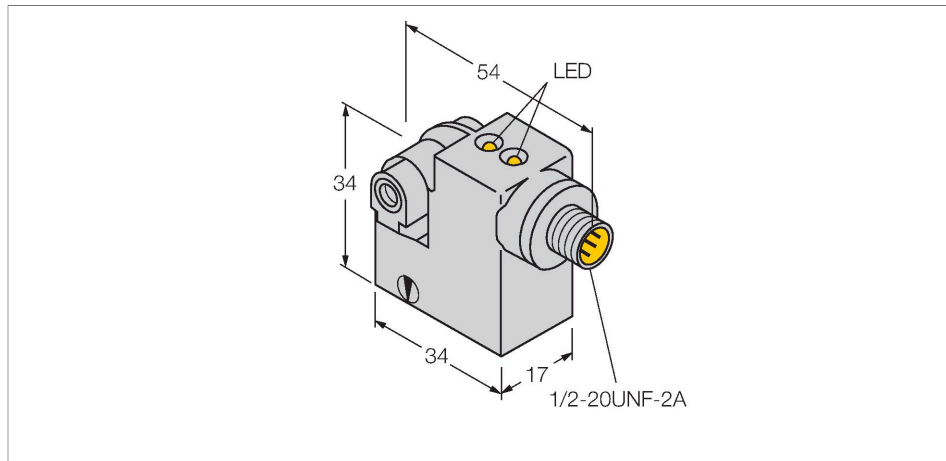


BIM-IKM-AZ3X2-B3131 W/KLI3

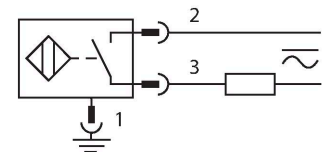
Magnetic Field Sensor – For Pneumatic Cylinders



Features

- Rectangular, height 34 mm
- Metal, GD-Zn
- Magnetic-inductive sensor
- AC 2-wire, 20...250 VAC
- NO contact
- Connector, 1/2"

Wiring diagram



Technical data

Type	BIM-IKM-AZ3X2-B3131 W/KLI3
ID	1347190
General data	
Pass speed	≤ 1 m/s
Repeatability	≤ ± 0.1 mm
Temperature drift	≤ 0.1 mm
Hysteresis	≤ 1 mm
Electrical data	
Operating voltage	20...250 VAC
AC rated operational current	≤ 500 mA
Frequency	≥ 50...≤ 60 Hz
Residual current	≤ 1.7 mA
Isolation test voltage	≤ 1.5 kV
Voltage drop at I _o	≤ 6 V
Output function	2-wire, NO contact
Smallest operating current	≥ 5 mA
Switching frequency	0.02 kHz
Mechanical data	
Design	Rectangular, IKM
Dimensions	34 x 17 x 34 mm
Housing material	Metal, GD-Zn
Active area material	Plastic, PA12-GF30
Electrical connection	Connector, 1/2"

Functional principle

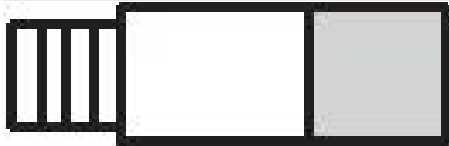
Magnetic field sensors are activated by magnetic fields and are especially suited for piston position detection in pneumatic cylinders. Based on the fact that magnetic fields can permeate non-magnetizable metals, it is possible to detect a permanent magnet attached to the piston through the aluminium wall of the cylinder.

Technical data

Environmental conditions	
Ambient temperature	-25...+70 °C
Vibration resistance	55 Hz (1 mm)
Shock resistance	30 g (11 ms)
Protection class	IP67
MTTF	2283 years acc. to SN 29500 (Ed. 99) 40 °C
Mounting on the following profiles	
Cylindrical design	○ ##
Power-on indication	LED, Green
Switching state	LED, Red
Included in delivery	KLI3

Mounting instructions

Mounting instructions/Description



Accessories

KLI1 69710

Mounting bracket for mounting magnetic field sensors on tie-rod cylinders; cylinder diameter: 32...100 mm; material: Die-cast Zinc

KLI3 69712

Mounting bracket for mounting magnetic field sensors on tie-rod cylinders; cylinder diameter: 63...160 mm; material: Die-cast Zinc

KLI5 6971802

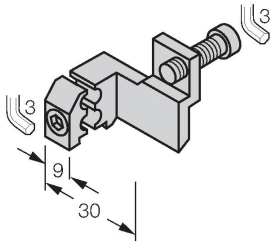
Mounting bracket for mounting magnetic field sensors on profile cylinders; cylinder diameter: 32...50 mm; material: Aluminum

KLI6 6971805

Mounting bracket for mounting magnetic field sensors on profile cylinders; cylinder diameter: 50...100 mm; material: Aluminum

KL17

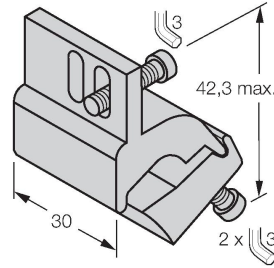
6971810



Mounting bracket for mounting magnetic field sensors on profile cylinders with external dovetail guide; cylinder diameter: 32...200 mm; material: Aluminum

KL15Z

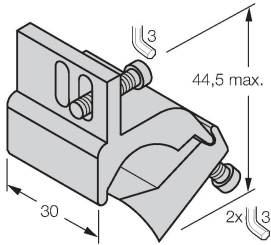
6971803



Mounting bracket for mounting magnetic field sensors on tie-rod cylinders; cylinder diameter: 32...63 mm; material: Aluminum

KL16Z

6971806



Mounting bracket for mounting magnetic field sensors on tie-rod cylinders; cylinder diameter: 50...125 mm; material: Aluminum