

**SP5MAT** 5.25" speaker  
**SP6MAT** 6.5" speaker

## Features

Speco Technologies' Multi-Application Series was designed to make the contractor's work as easy and time-efficient as possible.

Our all-in-one unit comes pre-assembled with back can and mounted transformer. It features a quick-flip 70 or 25 Volt selector switch and an easy-select transformer wattage dial. The choice of 8 or 9 individual wattage tap settings covers a complete range of uses. This flame-retardant ABS unit also comes with insulated wires, has an attached metal seismic safety loop and built-in easy mount tabs for securing the unit. The MA Series is the ideal, all-purpose value speaker covering a wide range of commercial applications. The furnished 8 Ohm tap selector also means the speakers can be kept on-hand for unexpected residential installation needs.



sold individually

## Specifications

	<b>SP5MAT</b>	<b>SP6MAT</b>
Frequency Response Range.....	57Hz – 20kHz	34Hz – 20kHz
Low Frequency Driver .....	5.25" Polypropylene woofer with rubber surround	6.5" Polypropylene woofer with rubber surround
Low Frequency Magnet.....	10 oz. ferrite	11.6 oz. ferrite
High Frequency Driver.....	1" Coaxially mounted mylar dome tweeter	1" Coaxially mounted mylar dome tweeter
Sensitivity .....	87dB (1W/1M)	88dB (1W/1M)
Impedance.....	8 Ohms, 70/25V	8 Ohms, 70/25V
RMS Power .....	30W	40W
Max. Power.....	60W	80W
Transformer Setting.....	30W, 15W, 7.5W, 5W, 2.5W, 1W, 0.5W, 0.25W & 8 Ohms	40W, 30W, 15W, 7.5W, 5W, 2.5W, 1W, 0.5W, 0.25W & 8 Ohms
Baffle Material.....	Fire-resistant ABS	Fire-resistant ABS
Back Can Material .....	Fire-resistant ABS	Fire-resistant ABS
Grille Material .....	Metal	Metal
Wire Connection Type .....	Push Terminal	Push Terminal
Weight .....	4.5 lbs.	5.5 lbs.
Cut-Out Dimensions .....	8.38"	9.88"
Minimum Mounting Depth.....	5.6"	7"
Dimensions.....	9.43" (Dia.) x 6.12" (D)	11.02" (Dia.) x 7.58" (D)
Optional Mounting Bracket .....	BRC6F (sold in pairs)	BRC8F (sold in pairs)



# MA Series 5.25" 70/25V Commercial ABS Plastic Back Can Speakers

## Architect & Engineer Specifications / SP5MAT

The loudspeaker system shall be Speco Technologies SP5MAT. System shall include a high performance 5.25" coaxial loudspeaker, ported bass reflex enclosure and press-fit grille for conventional ceiling installation.

The total frequency response for the system shall be 57 Hz – 20 kHz.

Sensitivity shall be 87dB average.

Loudspeaker shall be comprised of a 5.25" coaxial cone type driver. Cone shall be constructed of polypropylene with a rubber surround. The 1" tweeter shall be constructed of Mylar. Magnet shall be Ferrite and a minimum of 10 oz.

Transformer shall be a 70.7V / 25V type with .25, .5, 1.0, 2.5, 5.0, 7.5, 15.0, and 30.0 watt primary taps (@70.7V) with a front mounted tap selector switch to include transformer bypass setting for 8Ω direct coupled operation.

Enclosure shall be a flame-retardant ABS Plastic enclosure design.

External wiring shall be accomplished via press-terminals to provide both secure wire termination and fast installation of wires.

Seismic support eye shall be provided on side of enclosure for additional suspension point when used in drop tile ceilings.

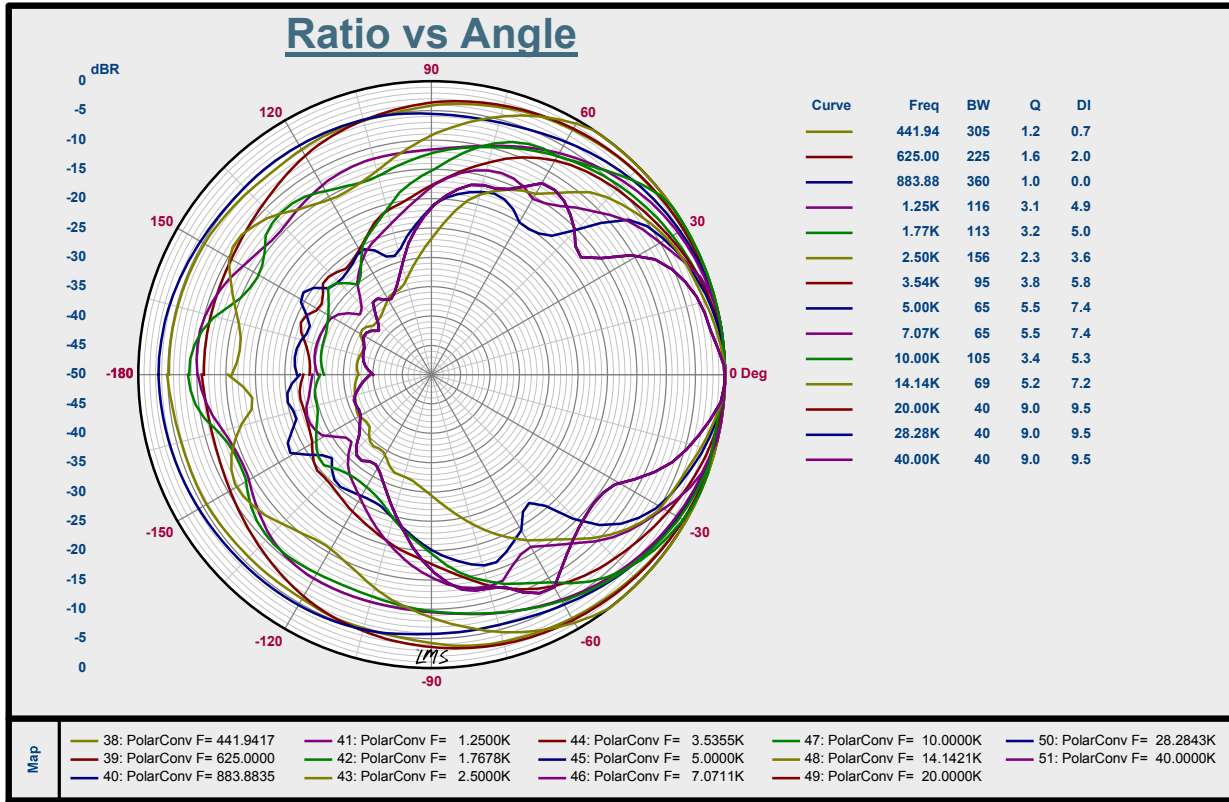
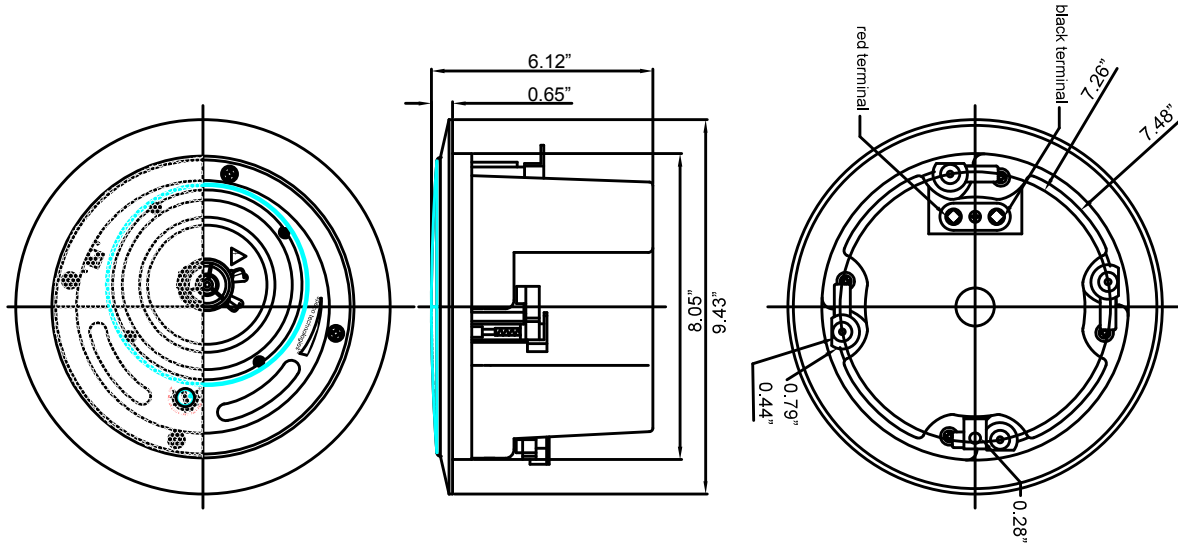
The mounting system shall be Speco Technologies BRC6F and include a support backing plate to reinforce the ceiling material and tile support rails for use on either 2' x 4' or 2' x 2' suspended ceiling tiles. This assembly can all be installed from beneath the ceiling tile.

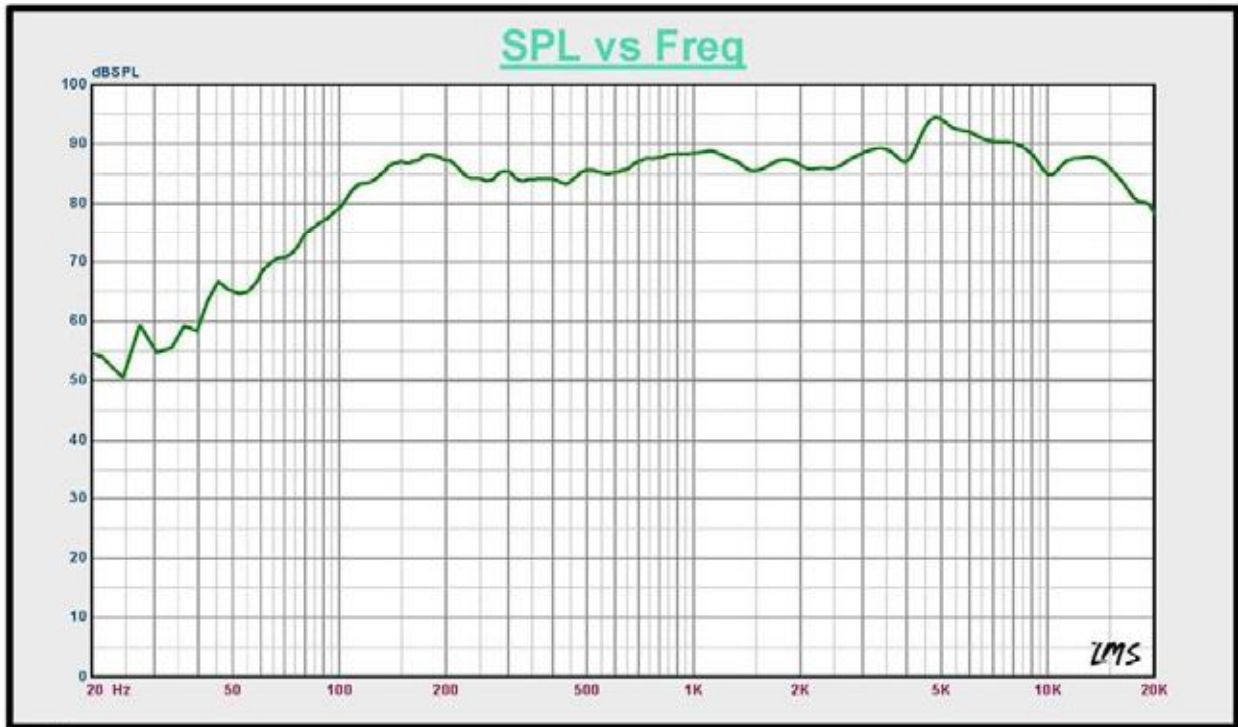
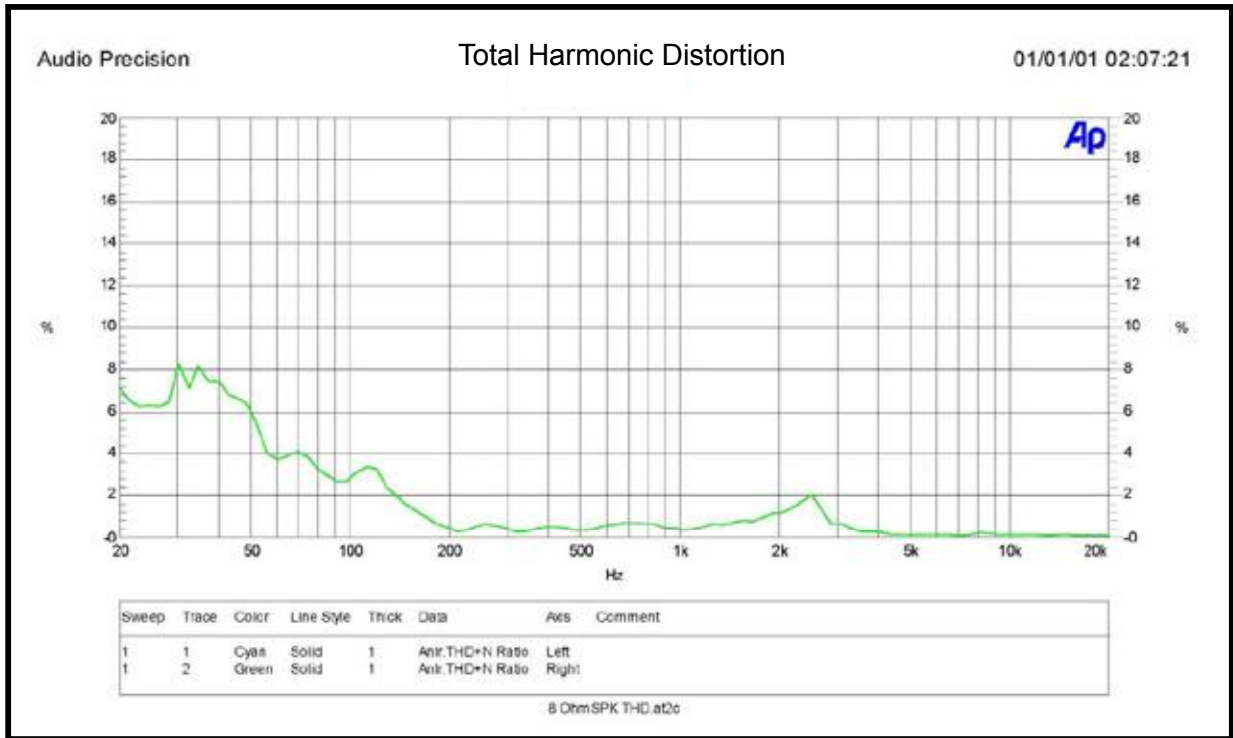
Overall front face diameter shall not exceed 9.43"; overall depth from the bottom of the ceiling shall not exceed 6.12".

Grilles shall be press-fit, manufactured from 24-gauge perforated steel mesh and finished in white epoxy. Round grill shall be 8.05" diameter.

The loudspeaker shall be the Speco Technologies SP5MAT.

Product Dimensions







# MA Series 6.5” 70/25V Commercial ABS Plastic Back Can Speakers

## Architect & Engineer Specifications / SP6MAT

The loudspeaker system shall be Speco Technologies SP6MAT. System shall include a high performance 6.5” coaxial loudspeaker, ported bass reflex enclosure and press-fit grille for conventional ceiling installation.

The total frequency response for the system shall be 34 Hz – 20 kHz.

Sensitivity shall be 88dB average.

Loudspeaker shall be comprised of a 6.5” coaxial cone type driver. Cone shall be constructed of polypropylene with a rubber surround. The 1” tweeter shall be constructed of Mylar. Magnet shall be Ferrite and a minimum of 11 oz.

Transformer shall be a 70.7V / 25V type with .25, .5, 1.0, 2.5, 5.0, 7.5, 15.0, 30.0 and 40.0 watt primary taps (@70.7V) with a front mounted tap selector switch to include transformer bypass setting for 8Ω direct coupled operation.

Enclosure shall be a flame-retardant ABS Plastic enclosure design.

External wiring shall be accomplished via press-terminals to provide both secure wire termination and fast installation of wires.

Seismic support eye shall be provided on side of enclosure for additional suspension point when used in drop tile ceilings.

The mounting system shall be Speco Technologies BRC8F and include a support backing plate to reinforce the ceiling material and tile support rails for use on either 2’ x 4’ or 2’ x 2’ suspended ceiling tiles. This assembly can all be installed from beneath the ceiling tile.

Overall front face diameter shall not exceed 11”; overall depth from the bottom of the ceiling shall not exceed 7.58”.

Grilles shall be press-fit, manufactured from 24-gauge perforated steel mesh and finished in white epoxy. Round grill shall be 9.69” diameter.

The loudspeaker shall be the Speco Technologies SP6MAT.

Product Dimensions

