



Hammond Power
Solutions Inc.

your *first*
source for
transformers



HPS PowerPlus™ Mini Power Centers

Other HPS Products



www.hammondpowersolutions.com

HPS PowerPlus™

Mini Power Centers

HPS PowerPlus™ is your compact economical solution!

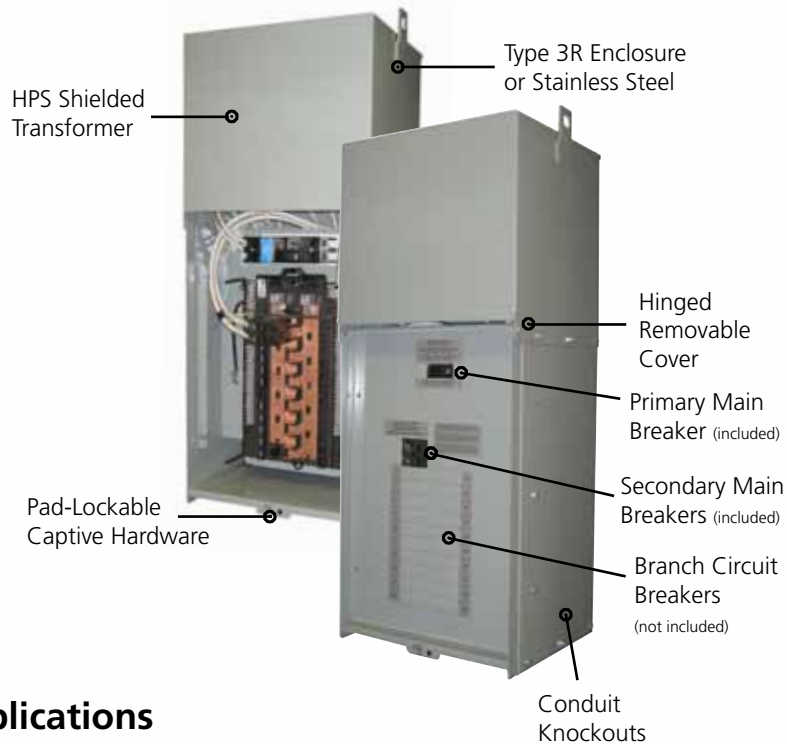
HPS PowerPlus™ is a convenient pre-wired power center that saves you time, money, and space. HPS PowerPlus™ combines a pre-wired primary and secondary breaker, secondary power panel, and dry-type shielded transformer in a Type 3R enclosure. Simply add the required branch circuit breakers and you effortlessly have a power center that is ready for indoor or outdoor use!

Features

- Type 3R indoor/outdoor enclosure (optional 316 Stainless Steel enclosure available)
- 480 Primary, 120/240 Secondary
- Single Phase, 60 Hz Frequency
- 5, 7.5, 10, 15, 25 kVA available
- Shielded transformer
- 180° insulation class
- 115° temperature rise
- Primary taps: 2 - 5% FCBN
- Meet NEMA, ANSI, & OSHA standards
- 15 year limited warranty on transformer
- 1 year limited warranty on Mini Power Center

Transformer: HPS shielded transformers are encapsulated for general purpose indoor or outdoor use within a variety of environments. An electrostatic shield is placed between the primary and secondary winding and grounded to reduce electrical interference and to provide additional protection.

Panel Assembly: The HPS PowerPlus™ assembly comes fully equipped with a primary & secondary main circuit breaker. It will hold up to 20 1-pole or 10 2-pole, one inch, common trip, duplex secondary branch circuit breakers and ground fault circuit breakers. Once you have established your branch circuit requirements, contact our local distributor to obtain your branch circuit breakers.




Applications

- Industrial locations
- Temporary power at construction sites
- Commercial buildings
- Test equipment
- Plant assembly lines

Connections: HPS PowerPlus™ accepts Aluminum or Copper conductor.

Protection: The transformer is protected by the primary main breaker, which handles high interrupting fault conditions. The N.E.C. requires a secondary breaker to be between the transformer and the panel.

Approvals: HPS PowerPlus™: c  US LISTED



Single Phase Specifications

480 Primary 120/240 Secondary



60 Hz

kVA Rating	Catalog Number	Winding Material	Max. Secondary Circuits*		Overall Dimensions			Weight Lbs.
			120 V (1 Pole)	240 V (2 Pole)	Width	Depth	Height	
Type 3R Enclosure								
5	M1PC005LESF	Aluminum	8	4	11.250	7.750	31.938	127
7.5	M1PC007LESF	Aluminum	8	4	13.875	11.125	31.938	201
10	M1PC010LESF	Aluminum	8	4	13.875	11.125	34.188	210
15	M1PC015LESF	Aluminum	12	6	15.125	12.500	34.188	291
25	M1PC025LESF	Aluminum	20	10	16.250	13.625	41.563	423
316 Stainless Steel Enclosure								
5	M1PC005LESF7	Aluminum	8	4	11.250	7.750	31.938	127
7.5	M1PC007LESF7	Aluminum	8	4	13.875	11.125	31.938	201
10	M1PC010LESF7	Aluminum	8	4	13.875	11.125	34.188	210
15	M1PC015LESF7	Aluminum	12	6	15.125	12.500	34.188	291
25	M1PC025LESF7	Aluminum	20	10	16.250	13.625	41.563	423

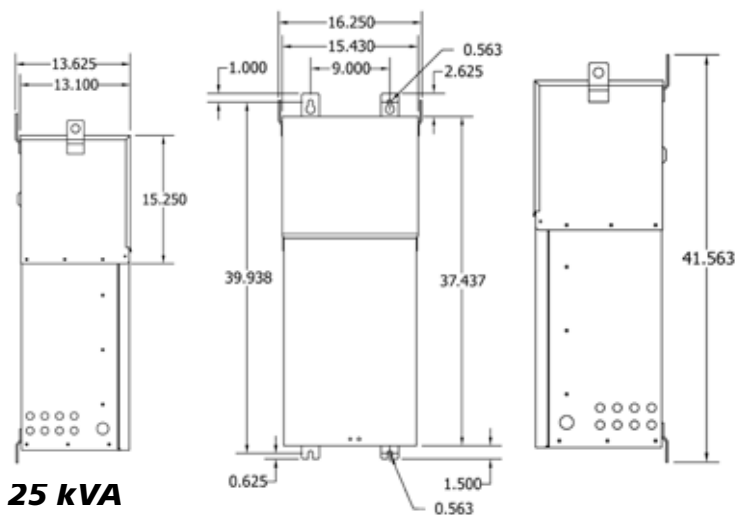
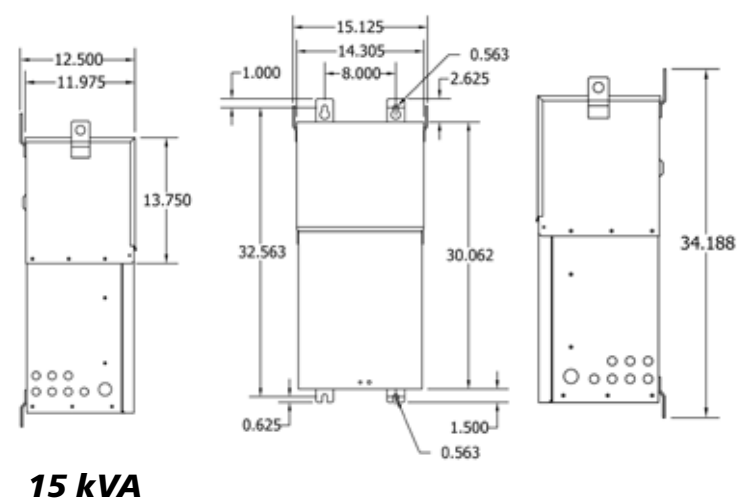
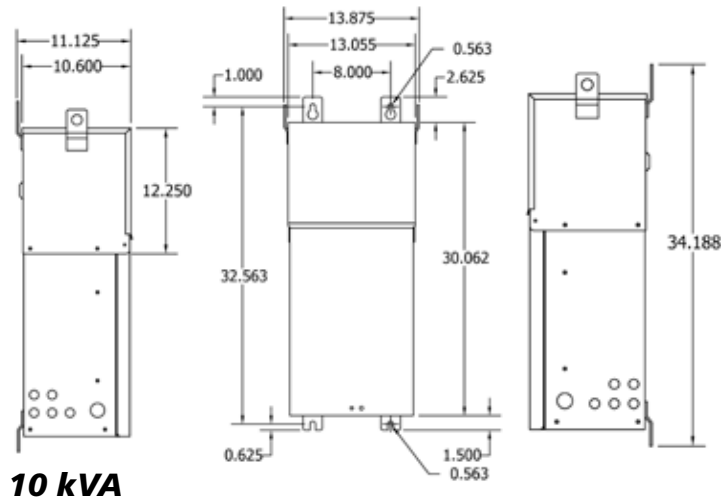
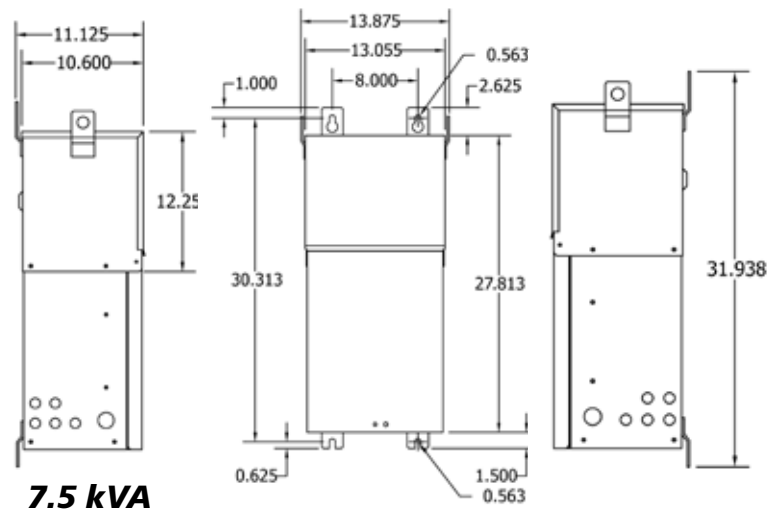
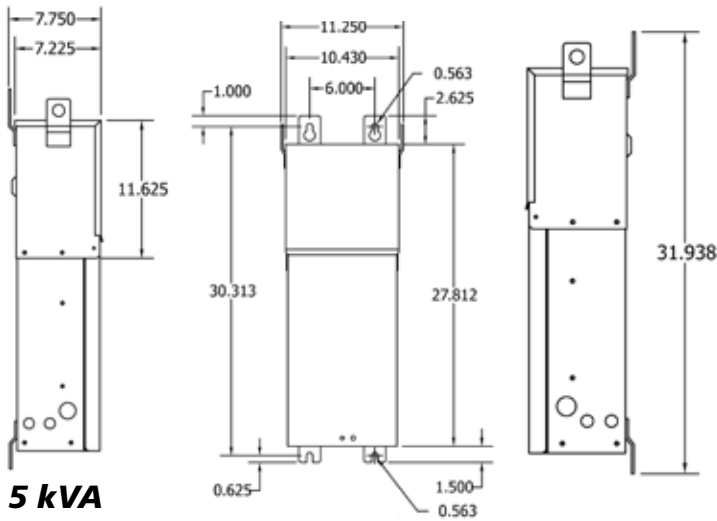
*Please contact factory for exact number of secondary circuits available.

Circuit Breaker Part Numbers

kVA	Primary Breaker	Secondary Breaker	Max. Rating Secondary Breaker
5	ED42B020	Q225	25
7.5	ED42B025	Q235	35
10	ED42B035	Q250	50
15	ED42B050	Q270	70
25	ED42B090	Q2110	110

10,000 Amps RMS Symmetrical Interrupting Capacity.
Circuit Breakers listed above are Siemens part numbers.
Breakers can be purchased from your local HPS Distributor.





Scan this QR code with your smartphone to view additional information on the HPS PowerPlus™.



CANADA

595 Southgate Drive
Guelph, Ontario N1G 3W6
Tel: (519) 822-2441
Fax: (519) 822-9701
Toll Free: (888) 798-8882

USA

1100 Lake Street
Baraboo, Wisconsin 53913-2866
Tel: (608) 356-3921
Fax: (608) 355-7623
Toll Free: (866) 705-4684