

Features

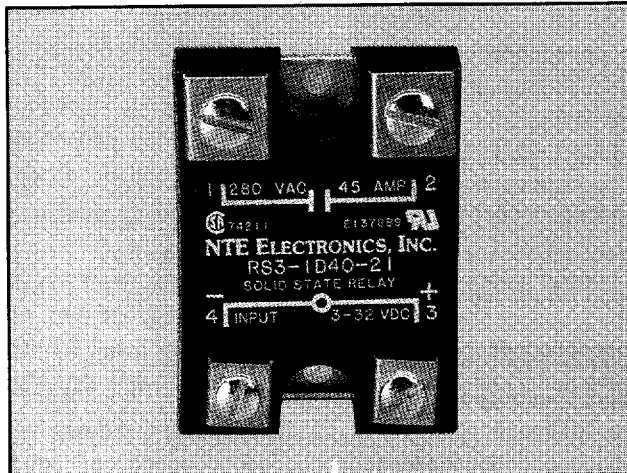
- AC and DC Models
- Back-to-back dual SCRs (NON-SUFFIX)
- Internal snubbers on AC models
- Triac versions (T-Suffix)
- Random switching (R-Suffix)
- MOSFET DC versions (M-Suffix)

RS3 Series



Panel Mount, Heavy Duty, Solid State AC and DC Power Relays, 10 Amp to 75 Amp

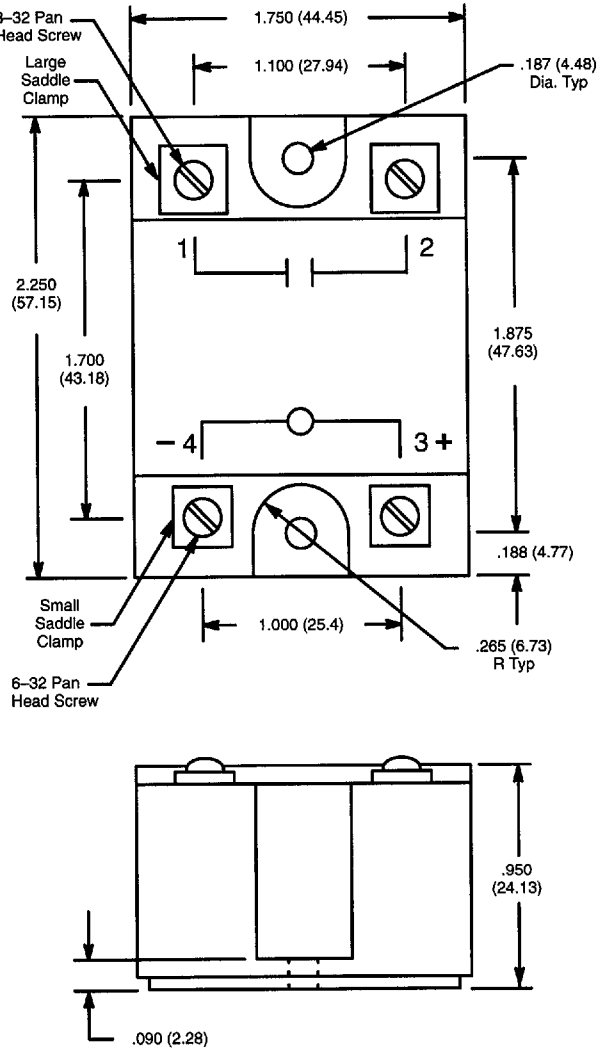
D31



Ratings

INPUT PARAMETERS				
NTE TYPE No.	Control Signal Range	Must Operate Voltage	Must Release Voltage	Input Current
RS3-1D10-51	3-32VDC	3VDC MAX	1VDC MIN	—
RS3-1D10-51R	3-32VDC	3VDC MAX	1VDC MIN	—
RS3-1A10-52	90-280VAC	80VDC MAX	20VAC MIN	—
RS3-1A25-42	90-280VAC	90VAC MAX	10VAC MIN	2mA MAX
RS3-1D25-24T	3-32VDC	3VDC	1VDC	4mA MAX
RS3-1A40-22	90-280VAC	90VAC MAX	10VAC MIN	2mA MAX
RS3-1D40-41	3-32VDC	3VDC MAX	1VDC MIN	4mA MAX
RS3-1D40-21	3-32VDC	—	—	34mA MAX
RS3-1D40-21R	3-32VDC	—	—	34mA MAX
RS3-1A75-22	90-280VAC	90VAC MAX	10VAC MIN	2mA MAX
RS3-1D75-21	3-32VDC	—	—	34mA MAX
RS3-1D75-41	3-32VDC	—	—	34mA MAX
RS3-1D12-41M	3.5-32VDC	3.5VDC MA	1VDC MIN	1.6mA MAX
RS3-1D40-41M	3.5-32VDC	3.5VDC MA	1VDC MIN	1.6mA MAX

OUTPUT PARAMETERS				
NTE TYPE No.	Line Voltage Range	Max On-State Current	Max 1-Cycle Surge	On-State Voltage Drop
RS3-1D10-51	24-330VAC	10A	40A	1.5V
RS3-1D10-51R	24-330VAC	10A	40A	1.5V
RS3-1A10-52	24-330VAC	10A	40A	1.5V
RS3-1A25-42	48-280VAC	25A	245	1.6V
RS3-1D25-24T	48-280VAC	25A	215	1.6V
RS3-1A40-22	48-280VAC	40A	245	1.6V
RS3-1D40-41	80-530VAC	40A	600	1.6V
RS3-1D40-21	24-280VAC	45A	450	1.6V
RS3-1D40-21R	24-280VAC	45A	450	1.6V
RS3-1A75-22	48-280VAC	75A	950	1.6V
RS3-1D75-21	24-280VAC	75A	700	1.6V
RS3-1D75-41	36-480VAC	75A	700	1.6V
RS3-1D12-41M	0-100VDC	12A	28	1.6V
RS3-1D40-41M	0-100VDC	40A	106	2.1V



Products and specifications subject to change without notice

Note 1. Can be used with NTE441A Heat Sink