

Expandable Alternating Relays

The Expandable Alternating Relays are designed for use in multiple load installations that are required to alternate in sequence and have the ability to accept an additional load installation in the future.

ARA-120-AME: The ARA-120-AME is a **Duplexor/Triplexor Alternating Relay**. With the selector switch in position A, this alternating relay will duplex the loads on terminals 7 and 9. With the switch in position B, the Alternating Relay will triplex the three loads on terminals 7, 9 and 11.

For automatic alterations, a factory-installed jumper is in place between terminals 3 and 4. The alternating action is accomplished when the control switch between terminals 2 and 4 opens.

For external clocking alterations, remove the factory installed jumper between terminals 3 and 4 and place an isolated normally open switch between terminals 2 and 3. The alternating action will occur each time this isolated switch is closed and then re-opened.

ARA-120-ANE: The ARA-120-ANE is a **Triplexor/Quadruplexor Alternating Relay**. With the selector switch in position A, the Alternating Relay will triplex between the loads on terminals 7, 8 and 9. With the switch in position B, the Alternating relay will quadruplex the loads on terminals 7, 8, 9 and 10.

For automatic alterations, a factory installed jumper is in place between terminals 11 and 12. The alternating action is accomplished when the control switch between terminals 2 and 3 opens.

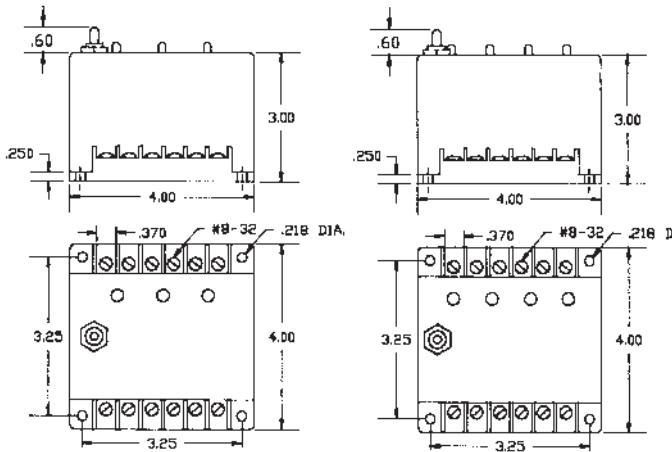
For external clocking alterations, remove the factory installed jumper between terminals 11 and 12 and place an isolated normally open switch between terminals 2 and 12. The alternating action will occur each time this isolated switch is closed and then re-opened.

In the event of a power failure the Alternating Relays will return to their quiescent state and continue sequencing loads on one-at-a-time.

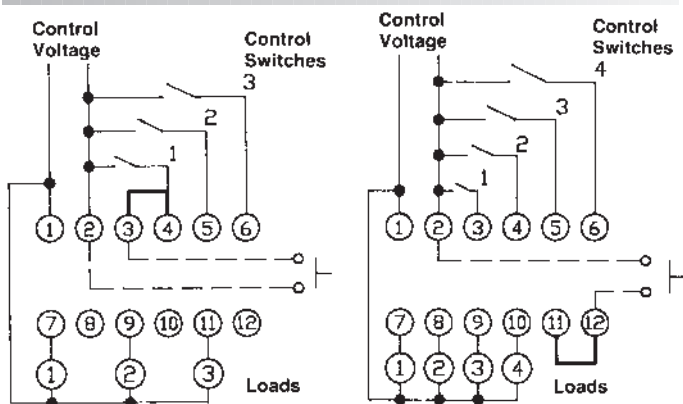
ORDERING INFORMATION

MODEL NUMBER	DESCRIPTION
ARA-120-AME	Duplexor/Triplexor
ARA-120-ANE	Triplexor/Quadruplexor

DIMENSIONS (INCHES)



WIRING



SPECIFICATIONS

CONTROL VOLTAGE	120 VAC ±10%, 50/60 Hz	
CONTROL SWITCH CURRENT	2 mA	
POWER REQUIRED	3 VA (Approximately)	
DUTY CYCLE	Continuous	
OUTPUT RATING	Triplexor	(3) 5 Amp Resistive, 1/6 hp, 211 VA @ 120 VAC, Inductive Externally Switched to terminal #2
	Quadruplexor	(4) 5 Amp Resistive, 1/6 hp, 211 VA @ 120 VAC, Inductive Externally Switched to terminal #2
LIFE EXPECTANCY	Mechanical	10,000,000 Operations (Minimum)
	Electrical	100,000 Operations @ Rated Load
INDICATORS	LED's Show Condition of Outputs	
TEMPERATURE RATINGS	Operate	-4° to 131°F (-20° to +55°C)
	Storage	-40° to 185°F (-40° to +85°C)
ENCLOSURE	Style "E" Lexan® Surface Mounted	
TERMINATIONS	(12) #8-32 Screw Terminals	
WEIGHT	12.5 to 14 oz.	