

Universal Power Alert

- Ideal for use in Lockout/Tagout Procedure
- Enhances NFPA 70E & OSHA Compliance
- Reduces Arc Flash & Electrocution Risk
- Detects Stored Energy
- Detects Ground Fault Problems
- No Voltage Present on Enclosure Door Panels
- DIN Rail or Surface Mounted Base

INDICATOR FLASH RATES (L1, L2, L3, GND)

3- Phase Line-To-Line (VAC)	<14	20	120	240	480	600	750
Flashes/Sec (Typical)	0	0.9	2.6	3.3	3.7	3.8	3.9
DC or Stored Energy (VDC)	<15	20	48	110	300	600	1000
Flashes/Sec (Typical)	0	0.9	1.9	3.2	3.7	4.0	4.0

Epileptic Photosensitivity Compliance: Below 5-30 Flashes/Sec

GND DETECTOR THRESHOLDS (LEAKAGE ANY PHASE-TO-GROUND)

3- Phase Line-To-Line (VAC)	20	120	240	480	750
L1, L2, or L3 To Ground Continuity (OHMS)	2M	5M	7.5M	13M	20M
Detector Included Fault Current (µA)	4	12	17	20	21

DETECTOR INCLUDED FAULT CURRENT (PHASE-TO-GROUND SHORT)

3- Phase Line-To-Line (VAC)	20	120	240	480	750
0 OHM Phase-To-Ground Current (µA)	15	105	216	435	684

The UPA-200 Power Alert reduces the risk of electrical arc flash by pre-verifying the electrical isolation from outside of a electrical panel. Hardwired to the circuit breaker or main disconnect, the UPA LED's flash to indicate the presence of hazardous conditions (20-600 VAC & 20-1000 VDC) associated with stored energy. Engineered with redundant circuitry, the power alert is powered by the same voltage that it indicates. The unit is easily installed into the panels through a standard push-button 33mm knockouts.

The UPA-200 is ideal for mounting on the front controller door panel. The use of fiber-optics on this unit to transmit the LED lights to the enclosure door allows the unit to be mounted on a ungrounded door panel due to no voltage present on panel.

The eight detector UPA-200 visually alerts to the presence of dangerous AC or DC (Stored Energy) potentials occurring between any combination of the four monitored input lines (L1, L2, L3, GND). Two LED indicators are assigned to each input line are designate "+" and "-". For each input line carrying an AC potential (bi-polar), both the "+" and "-" LEDs will be active. A DC or Stored Energy potential will illuminate the "+" LED for the positive line and the "-" LED for the negative line.

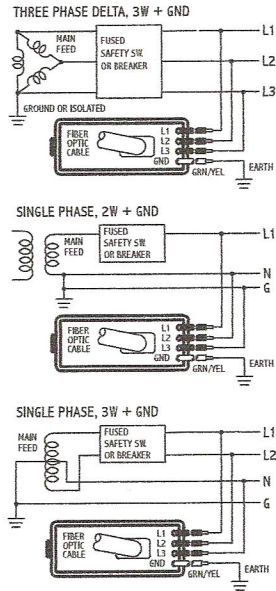
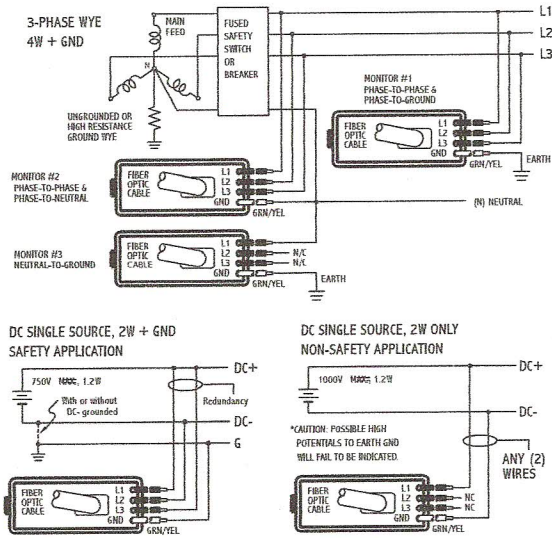
SPECIFICATIONS

OPERATIONAL RANGE	AC 20-600 VAC/20-1000 VDC
MAXIMUM VOLTAGE	750 VAC/1000 VDC line to line
DETECTION THRESHOLDS	14 VAC 3-Phase/18.5 VAC Single 15 VDC Stored Energy
POWER CONSUMPTION	1.2 Watts @ 750 VAC
OPERATING TEMPERATURE	-4° to 131°F (-20° to +55°C)
ENCLOSURE	Totally Encapsulated UL Type 4X
TERMINATIONS	(4) 6 ft, 18 AWG 1000V, UL-1452
WEIGHT	7 oz.

ORDERING INFORMATION

MODEL NUMBER	DESCRIPTION
UPA200-12	30mm Universal Power Fiber Optic Alert 12" Fiber Optic
UPA200-24	24" Fiber Optic
UPA200-48	48" Fiber Optic

WIRING



DIMENSIONS

