

Percentage Timer

- Precise Fool-proof Operating Mechanism
- Eliminates All Engaging Cams and Latches
- Five Time Ranges From Which to Choose
- Minimal Panel Space Needed

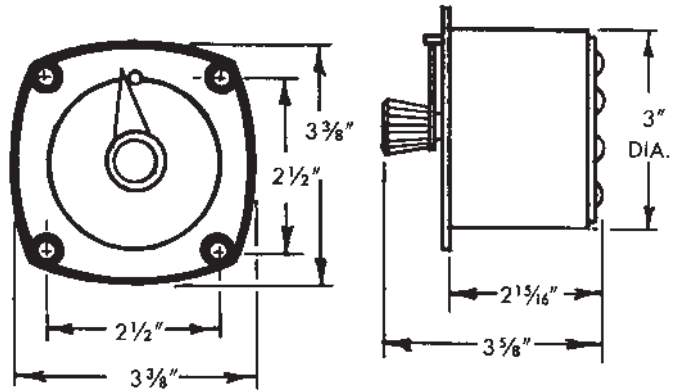
For continuous ON-OFF control of electrical circuits, the CP Series single circuit repeat cycle timer is a continuous cycling control where the ON or circuit closure time is dial adjusted for a percentage of the total time cycle.

APPLICATIONS: Control of pumps, blowers, filters, heating equipment, industrial ovens, laboratory equipment and wherever ON or OFF control is desired as a percentage of the primary fixed total time cycle.

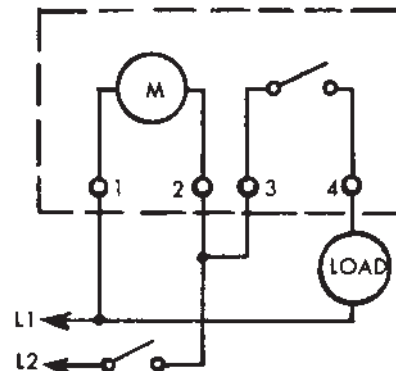
SPECIFICATIONS

TIME RANGES	30, 60 SEC 15, 30, 60 MIN
TIMING MODE	Continuous ON-OFF
RANGE SETTING	3%-97%, Also 100% ON and OFF Points
SETTING ACCURACY	Within 2% of Full Scale
REPEAT ACCURACY	Within 1% of Full Scale
OUTPUT	SPST, 15A, 25 VAC Resistive
MOTOR VOLTAGES	120 VAC 50/60 Hz., 240 VAC, 50/60 Hz. (50 Hz. Units Will Be 1/6 Slower Than Listed Speeds.)
TERMINATION	Rear Screw Terminals
MOUNTING	Front Panel
TEMPERATURE RATING	32° to 120°F (0° to 50°C)
WEIGHT	1.4 lbs.

DIMENSIONS (INCHES)



WIRING



MODEL NUMBER >>>>>>	CP	
	Time Range	
	30 seconds	30S
	60 seconds	60S
	15 minutes	15M
	30 minutes	30M
	60 minutes	60M
	Voltage	
	120 VAC	A
	240 VAC	C
Model Example: CP-15M-A		