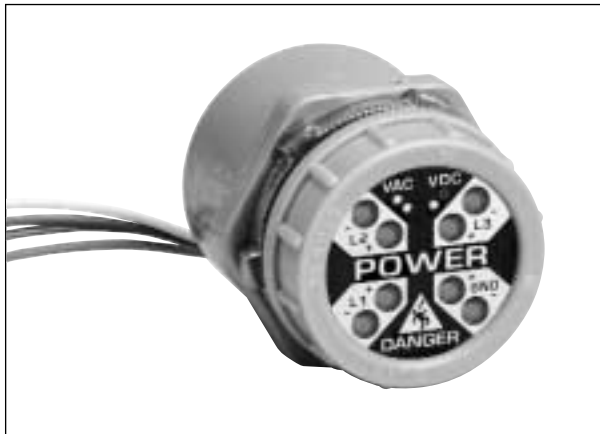


UPA-100 SERIES



Universal Power Alert

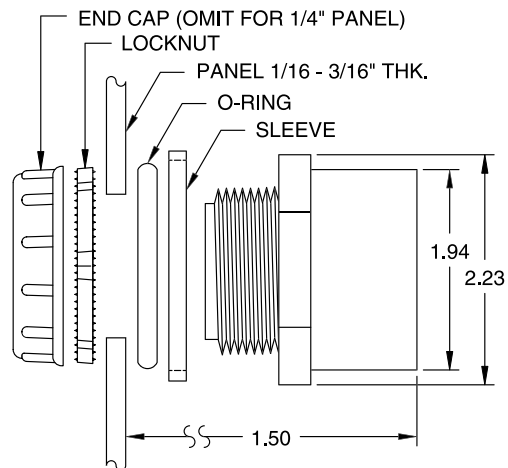


NEMA 4X

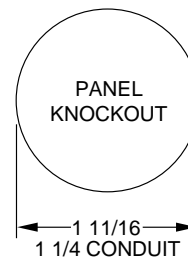


DIMENSIONS INCHES

PANEL MOUNT



INSTALLATION: INSIDE PANEL SURFACE MUST BE UNIFORM. TIGHTEN LOCKNUT UNTIL SLEEVE BOTTOMS-OUT.



POWER ALERTS

FEATURES

- Verification of Zero Energy
- Detects Single or 3-Phase AC Voltage
- Detects DC or Stored Energy
- Redundant Circuitry

OPERATION

With the green (GND) wire connected to earth ground, the eight detector UPA-100 visually **alerts to the presence of dangerous AC or DC (Stored Energy)** potentials occurring between any combination of the four monitored input lines (L1, L2, L3, GND). Two LED indicators are assigned to each input line and are designated "+" and "-". For each input line carrying an **AC potential (bi-polar)**, both the "+" and "-" LEDs will be active. A **DC or Stored Energy potential** will illuminate the "+" LED for the positive line and the "-" LED for the negative line.

OSHA 1910.147 THE CONTROL OF HAZARDOUS ENERGY (Lockout/Tagout).

Following the application of lockout or tagout devices to energy isolating devices, all potentially hazardous stored or residual energy shall be relieved, disconnected, restrained, and otherwise rendered safe.

(d)(5)(ii)

If there is a possibility of reaccumulation of stored energy to a hazardous level, verification of isolation shall be continued until the servicing or maintenance is completed, or until the possibility of such accumulation no longer exists.

(d)(6)

"Verification of Isolation." Prior to starting work on machines or equipment that have been locked out or tagged out, the authorized employee shall verify that isolation and de-energization of the machine or equipment have been accomplished.

SPECIFICATIONS

ORDERING INFORMATION: UPA-100

OPERATIONAL RANGE: AC SINGLE OR 3-PHASE: 40 to 750 VAC, 50/60/400 Hz,
(LINE-TO-LINE or LINE-TO-GND)
DC OR STORED ENERGY: 30 to 1000 VDC,
(LINE-TO-LINE or LINE-TO-GND)

MAXIMUM RATED VOLTAGE: 750VAC/1000VDC
(LINE-TO-LINE or LINE-TO-GND)

DETECTION THRESHOLDS: 29 VAC 3-Phase, 40 VAC SINGLE-Phase, 27 VDC (TYP CUTOFF)

INDICATOR FLASH RATES (L1, L2, L3, GND):

3-PHASE LINE-TO-LINE (VAC)	<29	30	120	240	480	600	750
FLASHES/SEC (TYPICAL)	0	1.3	4.2	5.8	7.3	8.0	8.8
DC OR STORED ENERGY (VDC)	<27	30	48	110	300	600	1000
FLASHES/SEC (TYPICAL)	0	1.6	2.5	4.5	6.9	8.8	9.1

GND DETECTOR THRESHOLDS (LEAKAGE ANY PHASE-TO-GROUND)

3-PHASE LINE-TO-LINE (VAC)	30	120	240	480	750
L1, L2, or L3 TO GROUND CONTINUITY (OHMS)	2M	2M	3M	5M	7M
DETECTOR INDUCED FAULT CURRENT (µA)	7	26	38	60	67

DETECTOR INDUCED FAULT CURRENT (PHASE-TO-GROUND SHORT)

3-PHASE LINE-TO-LINE (VAC)	30	120	240	480	750
0 OHM PHASE-TO-GROUND CURRENT (µA)	28	108	219	455	730

POWER CONSUMPTION: 1.2 Watts @ 750 VAC (Approximately)

TEMPERATURES

Operate: -4° to 131°F (-20° to +55°C)
Storage: -49° to 185°F (-45° to +85°C)

ENCLOSURE: NEMA 4X 105°C PVC, Totally Encapsulated for Environment Protection

TERMINATIONS: (4) 6ft, 18 AWG 1000V, UL-1452